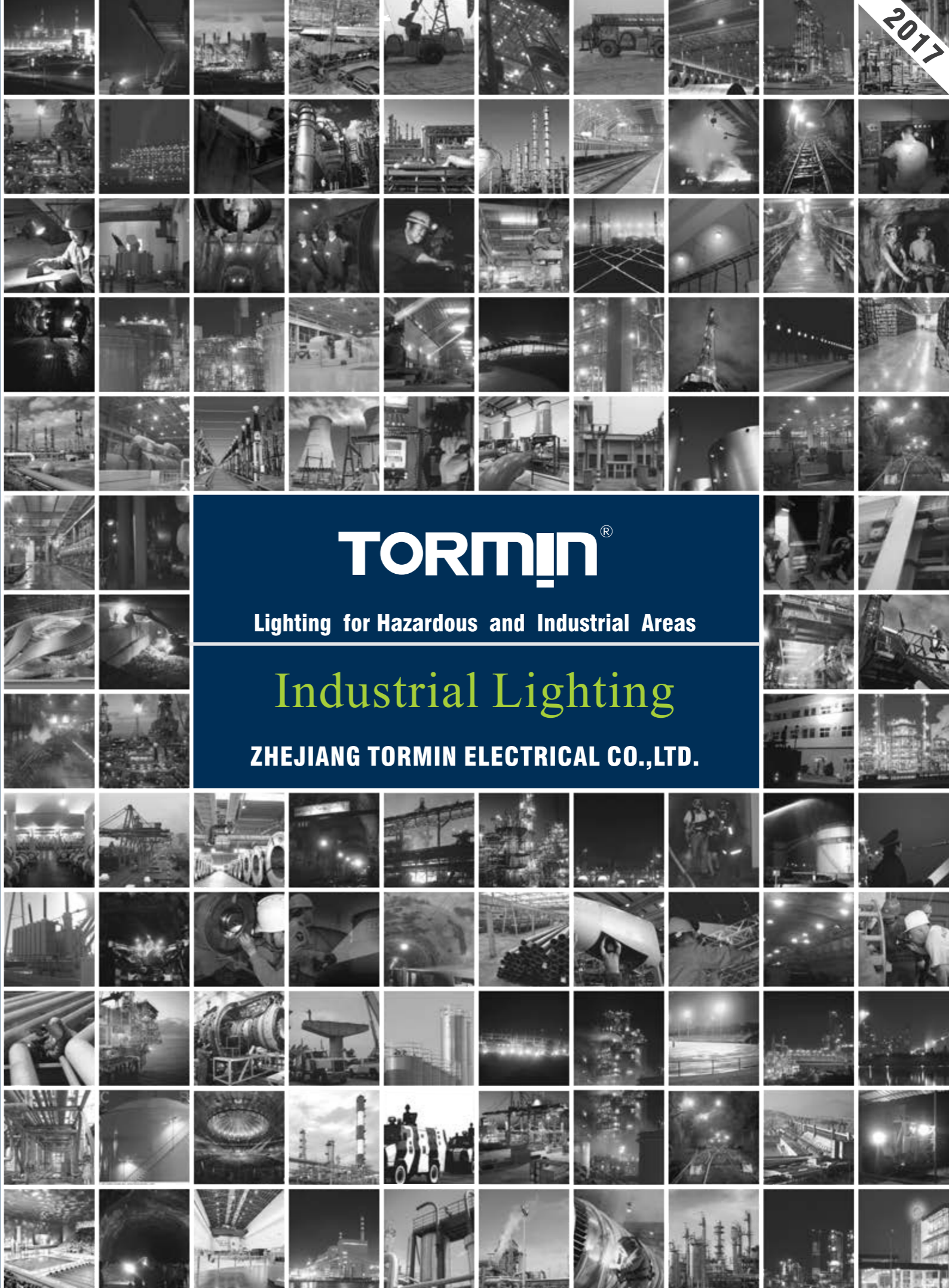


2017



TORMIN[®]

Lighting for Hazardous and Industrial Areas

Industrial Lighting

ZHEJIANG TORMIN ELECTRICAL CO.,LTD.

ZHEJIANG TORMIN ELECTRICAL CO.,LTD.

- Add: No. 35 Qingjiang Road, High-tech District, Wenzhou, Zhejiang, China
- Tel: +86 577 56966366 +86 577 56966616 Fax: +86 577 56966166
- E-mail: sales@tormin-lighting.com Http://www.tormin-lighting.com

Zhejiang Tormin Electrical Co., Ltd is a high—tech civilian enterprise that specializes in R & D, manufacturing and selling of industrial lamps. Tormin products are widely used in the fields of oil, chemical, electric power, coal mine, petrol, metallurgy, railway etc.

Tormin is the China Illuminating Engineering Society outstanding members, the National Light Industry explosion—proof lighting standard drafting units; won the "National High—tech Enterprise", "National Torch Plan", "Wenzhou Famous Brand", "Wenzhou city famous trademark", "Zhejiang Science and Technology SMEs", "patent model enterprise in Wenzhou City", "patent protection of key enterprises" and "enterprise technology research and development center in Wenzhou City" honor; the company passed the ISO9001 quality, ISO14001 environment, OHSAS18001 occupational health and safety management system certification, product by the national Coal Mine Safety certification, the State quality supervision and Inspection Center and lamps national explosion—proof electrical products for Quality Supervision and Inspection Center and other authoritative national certification bodies; export products through the European ATEX explosion—proof certification, IECEx international explosion—proof certification; CE, ROHS and other international certification.

The company has a strong R & D and serious and pragmatic team. Through continuous innovation and comprehensive market more than a decade of experience, has always been user—oriented, to continue to meet user needs as the core, through continuous improvement, product long—term explosive gas, dust, corrosion, vibration, temperature and humidity and other harsh environments safe, reliable operation, and in the product use, maintenance, and on intelligence has done a lot of innovation, more efficient and humane. Company's products not only meet the basic lighting needs, more attention to the light and the environment and biology perfect fusion of light, providing a more secure and reliable energy saving lighting products for the wisdom of the times.

Industry serve the country in line with the determination of transparency, tree centuries brands, adhere to customers, employees, business win—win situation for the purpose of creating an excellent platform to continue to join the elite of transparency, work together to build China's industrial lighting—class brand.

We are convinced that our leading role in future will also contribute to your success.



Fixed Explosion Proof Lights

| | | | | | | |
|--|--|--|--|--|--|--|
|  P005 |  P008 |  P010 |  P012 |  P014 |  P018 |  P021 |
| Model: BC5401 Series Power: 2×10W,2×20W | Model: BC9101 Series Power: 25~80W | Model: BC9200 Series Power: 6W,12W,20W | Model: BC9303 Series Power: 25~60W | Model: BC9306P Series Power: 30~80W | Model: BC9306S Series Power: 30~80W | Model: BC9306S Series Power: 30~80W |
|  P023 |  P025 |  P027 |  P029 |  P033 |  P036 |  P038 |
| Model: BC9307P Series Power: 100~240W | Model: BC9307S Series Power: 100~240W | Model: BC9307S Series Power: 100~240W | Model: BC9308P Series Power: 30~80W | Model: BC9308S Series Power: 30~80W | Model: BC9700 Series Power: 60~200W | Model: BC9700 Series Power: 60~200W |
|  P040 |  P042 |  P044 |  P046 |  P048 |  P050 |  P052 |
| Model: BC9309P Series Power: 240~480W | Model: BC9309S Series Power: 240~480W | Model: BC9309S Series Power: 240~480W | Model: BC9100 Series Power: 75~150W | Model: BC9300 Series Power: 75~150W | Model: DGS10/127L(A) DGS24/127L(A) DGS35/127L(A) DGS48/127L(A) Power: 10W~48W | Model: DGS20/127L(C) DGS30/127L(C) DGS45/127L(C) Power: 20W~45W |
|  P054 |  P056 | | | | | |
| Model: DGC30/127L(A) Power: 30W | Model: BHD01/02 Explosion proof Junction Box | | | | | |

Fixed Professional Lights

| | | | | | | |
|--|--|--|--|--|--|--|
|  P057 |  P059 |  P062 |  P064 |  P066 |  P068 |  P072 |
| Model: ZY8101 Series Power: 25~80W | Model: ZY8102 Series Power: 60~300W | Model: ZY8302 Series Power: 60~150W | Model: ZY8501 Series Power: 60~150W | Model: ZY8502 Series Power: 60~200W | Model: ZY8603P Series Power: 30~80W | Model: ZY8603S Series Power: 30~80W |
|  P075 |  P077 |  P079 |  P081 |  P083 |  P087 |  P090 |
| Model: ZY8603S Series Power: 30~80W | Model: ZY8605P Series Power: 100~240W | Model: ZY8605S Series Power: 100~240W | Model: ZY8605S Series Power: 100~240W | Model: ZY8607P Series Power: 30~80W | Model: ZY8607S Series Power: 30~80W | Model: ZY8606P Series Power: 240~480W |



Model: ZY8606S Series Power: 240-480W
 Model: ZY8606S Series Power: 240-480W
 Model: ZY8702 Series Power: 60-240W
 Model: ZY8800 Series Power: 6W, 12W, 20W
 Model: ZY9710 Series Power: 60-200W

Fixed Professional Lights



Model: ZY8100 Series Power: 70-150W
 Model: ZY8200 Series Power: 250-400W
 Model: ZY8300 Series Power: 1000W
 Model: ZY8310 Series Power: 250W, 400W
 Model: ZY8510A Series Power: 250W, 400W
 Model: ZY8521 Series Power: 1000W
 Model: ZY8600 Series Power: 70-150W

Fixed Emergency Lights



Model: BC5401 Emergency Power Power: 2x10W, 2x20W
 Model: BC9101A/B Emergency Power Power: 15W, 25W
 Model: BC9306AP/BP Emergency Power Power: 15W, 25W
 Model: BC9306AS/BS Emergency Power Power: 15W, 25W
 Model: ZY8101A/B Emergency Power Power: 15W, 25W
 Model: ZY8603AP/BP Emergency Power Power: 15W, 25W
 Model: ZY8603AS/BS Emergency Power Power: 15W, 25W



Model: ZY8810/ZY8820 Emergency Power Power: 6W, 12W
 Model: BXP01 Emergency Power Power: 40W

Mobile Explosion Proof Lights



Model: BW3210 Power: 30W
 Model: BW4100B
 Model: BW6210 Power: 3W
 Model: BW6310A/B Power: 1W, 3W
 Model: BW6610A Power: 3x3W
 Model: BW7101 Power: 3x3W
 Model: BW7300 Power: 1W, 3W



Model: BW7500 Power: 1W, 3W, 5W

Mobile Professional Lights



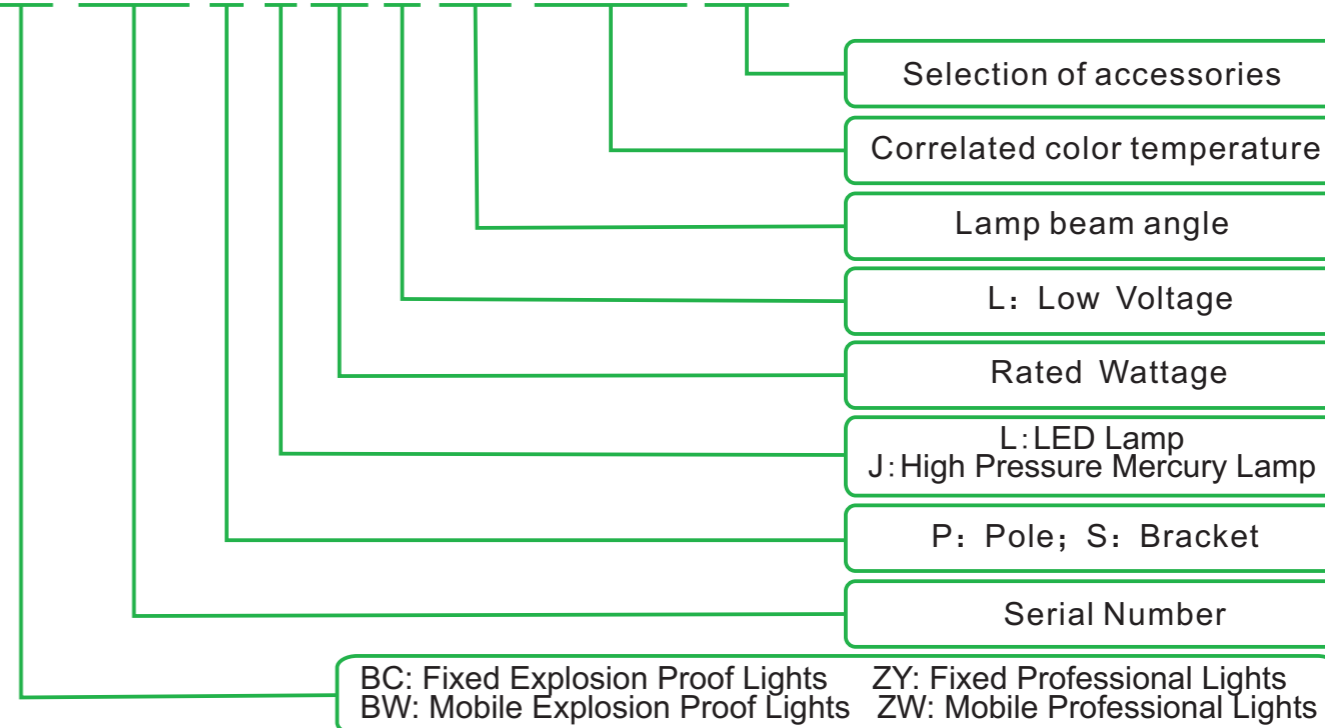
Model: ZW3320 Power: 30W, 45W
 Model: ZW3500D Power: 2x150W, 2x240W
 Model: ZW3500E Power: 4x150W, 4x240W
 Model: ZW3500 Power: 4x60W, 4x100W
 Model: ZW3520C Power: 2x60W, 2x100W
 Model: ZW3530 Power: 2x40W
 Model: ZW6220 Power: 1W



Model: ZW7600
 Model: ZW7600A
 Model: ZW7610 Power: 1W
 Model: ZW7710, ZW7710A Power: 3W

Ordering reference

BC-9306 P-L 20 L-80°-3000K-P01





Ex marking: Ex de op is IIC T5 Gb
Ex op is tb IIIC T95°C Db, IP66



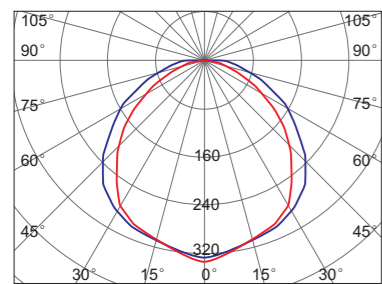
Application

- It can be widely used in petrochemical plants, oil platforms, oil pump housing, transit stations and other flammable and explosive places as fixed lighting.
- Gas explosive environment: Group IIA, IIB, IIC.
- Zone1, Zone2; Zone21, Zone22

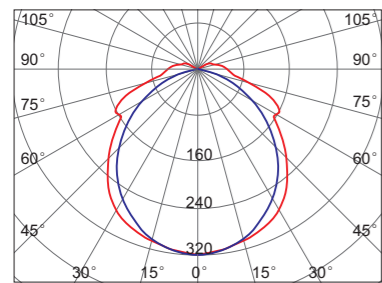
Characteristics

- It is made using a special aluminum housing, suitable for long-term highly corrosive environment of offshore platforms, chlor-alkali, hydrogen sulfide, etc.
- Derrick mounting fixture adopt high anti-corrosive aluminum and locking angle equipment, can be safely used in drilling platforms and high vibration environment.
- The anti corrosion, abrasion proof, power coated cover which is dust proof, water proof, make the lamp an excellent high pressure environment
- Bracket, reflector, guard, and all exposed fasteners adopt 304 stainless steel (customizable 316), can effectively guarantee the strength and strong anti-corrosion performance of lamp
- Terminals are provided at both ends, can be directly wired in parallel, eliminating the junction box and installation costs.
- A variety of installation as optional: ceiling, oil derrick, the side walls, curved rods, boom, etc.

Light distribution curve



2x20W(T8 led tube) — 0°
— 90°
Distance high : 1.5



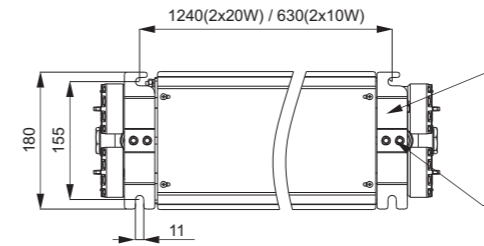
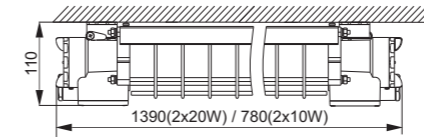
2x10W (T8 led tube) — 0°
— 90°
Distance high : 1.5

Main Specification

| Item | Technical Parameters | | | |
|-------------------------|---|-------------|--------------------|-------------|
| Rated wattage (W) | 2x20W(T8) | 2x10W(T8) | 2x28W(T5) | 2x14W(T5) |
| Input voltage range (V) | 90~264VAC | | 220~240VAC, 110VAC | |
| Rated frequency | 50Hz / 60Hz | | 50Hz / 60Hz | |
| Light source | LED | | Fluorescent | |
| Light output (lm) | 3600 | 1800 | 3400 | 1700 |
| CRI (Ra) | 80 | | 70 | |
| Life time (h) | 50,000 | | 8,000 | |
| CCT | 6000K | | 6500K | |
| Cable entry thread | M20x1.5, M25x1.5, G3/4", NPT1/2", NPT3/4" | | | |
| Terminals | Multi core: ≤2.5mm ² | | | |
| | Single core: ≤4mm ² | | | |
| Dimension (mm) | 1390x180x110 | 780x180x110 | 1390x180x110 | 780x180x110 |
| Net weight (kg) | 10.7 | 6.6 | 10.7 | 6.6 |

Drawing of dimension (Dimensions in mm)

Ceiling mounting



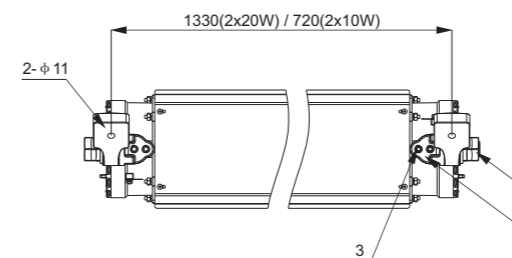
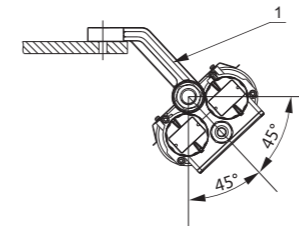
Lamps Ordering Information

| Order No. | Mounting type | Lamp power | Equivalent to |
|-------------|---------------|------------|---------------|
| | | | Fluorescent |
| BC5401-L20A | Ceiling | 2x10W | 2x20W |
| BC5401-L40A | | 2x20W | 2x40W |

Fitting Ordering Information (Standard)

| Order No. | No. | Specifications Model | Quantity |
|-----------|-----|-------------------------|----------|
| P01 | 1 | Ceiling Bracket | 2 |
| | 2 | M8 Inner six angle bolt | 4 |

Derrick mounting



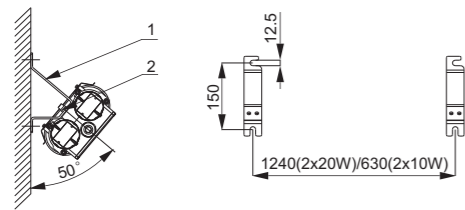
Lamps Ordering Information

| Order No. | Mounting type | Lamp power | Equivalent to |
|-------------|---------------|------------|---------------|
| | | | Fluorescent |
| BC5401-L20A | Derrick type | 2x10W | 2x20W |
| BC5401-L40A | | 2x20W | 2x40W |

Fitting Ordering Information(Optional)

| Order No. | No. | Specifications Model | Quantity |
|-----------|-----|-------------------------|----------|
| P02 | 1 | Derrick bracket | 2 |
| | 2 | Base | 2 |
| | 3 | M8 Inner six angle bolt | 4 |
| | 4 | M24 screw | 2 |

Side wall mounting



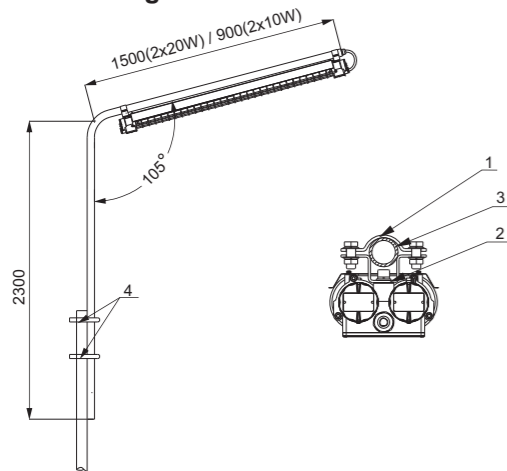
Lamps Ordering Information

| Order No. | Mounting type | Lamp power | Equivalent to |
|-------------|---------------|------------|---------------|
| | | | Fluorescent |
| BC5401-L20A | Side wall | 2×10W | 2×20W |
| BC5401-L40A | | 2×20W | 2×40W |

Fitting Ordering Information (Optional)

| Order No. | No. | Specifications Model | Quantity |
|-----------|-----|--------------------------|----------|
| P03 | 1 | Sidewall bracke | 2 |
| | 2 | M10 Inner six angle bolt | 4 |

Pole mounting



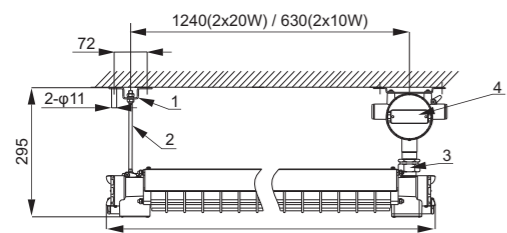
Lamps Ordering Information

| Order No. | Mounting type | Lamp power | Equivalent to |
|-------------|---------------|------------|---------------|
| | | | Fluorescent |
| BC5401-L20A | Pole | 2×10W | 2×20W |
| BC5401-L40A | | 2×20W | 2×40W |

Fitting Ordering Information (Optional)

| Order No. | No. | Specifications Model | Quantity |
|-----------|-----|----------------------|----------|
| P04 | 1 | Upper hoop | 2 |
| | 2 | Under hoop | 2 |
| | 3 | DN32 Poles | 1 |
| | 4 | U tube clip | 2 |

Ceiling mounting 2



Lamps Ordering Information

| Order No. | Mounting type | Lamp power | Equivalent to |
|-------------|---------------|------------|---------------|
| | | | Fluorescent |
| BC5401-L20B | Ceiling | 2×10W | 2×20W |
| BC5401-L40B | | 2×20W | 2×40W |

Fitting Ordering Information (Optional)

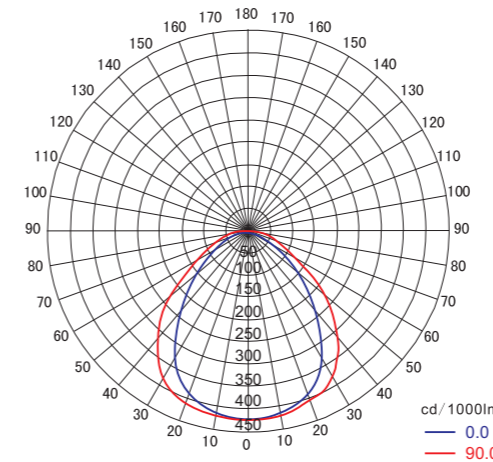
| Order No. | No. | Specifications Model | Quantity |
|-----------|-----|------------------------------|----------|
| P05 | 1 | Pole mounting bracket | 1 |
| | 2 | 19cm Screw(M8) | 1 |
| P02 | 3 | Connector G3/4" male- male | 1 |
| BHD01 | 4 | Explosion proof junction box | 1 |



Ex marking: Ex d IIB T6 Gb
Ex tb IIIC T80°C Db IP66



Light distribution curve



Application

- Ideal to be used in the environment of flammable gas, steam and dust environment, such as Petrochemical Plant, Chemical Plant, Pharmaceutical Factory, etc.
- Class1,zone 1&zone 2, zone 21&zone 22

Characteristics

- With its reflector which have different angles design, it efficiently utilize the light. Have a good performance of illuminance uniformity, glare free, can avoid eyestrain to the worker.
- A full range of high conductivity material accelerate convection cooling structure, effective guarantee long-term use in high temperature environments.
- It adopts CREE LED as light source, no dark spot, can save 60% or more on energy than Metal Halide Lamp.
- Taiwan Meanwell driver or driver with same quality, power factor above 0.98, high reliability and long time service life.
- The adjustable locking device on the bracket can tightly fix the lamp to any desired angle, making the lamp resist to harsh vibration.
- It is made using aluminum housing, all exposed fasteners adopt 304 stainless steel. Using high-tech anti-corrosion surface treatment technology, suitable for hazardous working areas.
- Intelligent control functions can be realized.

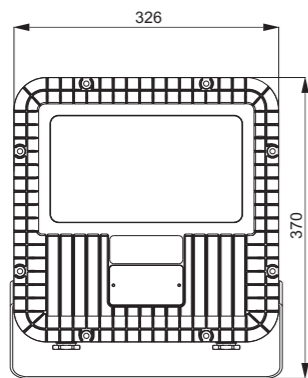
Main Specification

| Item | Technical Parameters |
|-------------------------|---|
| Input voltage range (V) | 90~305VAC |
| | 18~43VAC; 18~55VDC (low) |
| Rated frequency | 50Hz / 60Hz |
| Light source | LED |
| Life time (h) | 100,000 |
| CRI (Ra) | 75 |
| CCT | 5000K ±250K |
| Cable entry | M20×1.5, M25×1.5, G3/4", NPT1/2", NPT3/4" |
| Dimension (mm) | 326×370×88 |
| Net weight (kg) | 9 |

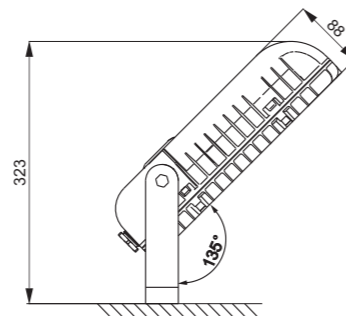
Ordering Reference

| Ordering reference | Input voltage (V) | Rated wattage (W) | Light output (lm) | Mounting height (m) | Equivalent to |
|--------------------|----------------------|-------------------|-------------------|---------------------|---------------|
| | | | | | MH |
| BC9101-L25 | 90~305VAC | 25W | 2800 | 3~6m | 70W |
| BC9101-L40 | | 40W | 4200 | | 100W |
| BC9101-L60 | | 60W | 5900 | 4~8m | 150W |
| BC9101-L80 | | 80W | 7200 | | 175W |
| BC9101-L25L | 18~43VAC 18~55VDC | 25W | 2800 | 3~6m | 70W |
| BC9101-L40L | | 40W | 4200 | | 100W |

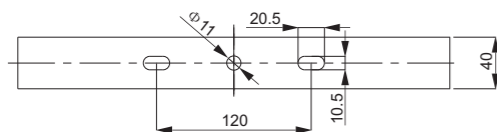
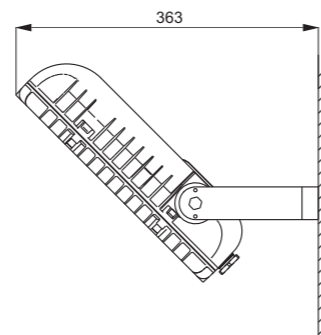
Drawing of dimension (Dimensions in mm)



Seat mounting



Side wall mounting



Installation dimension



Ex marking: Ex de IIC T6 Gb

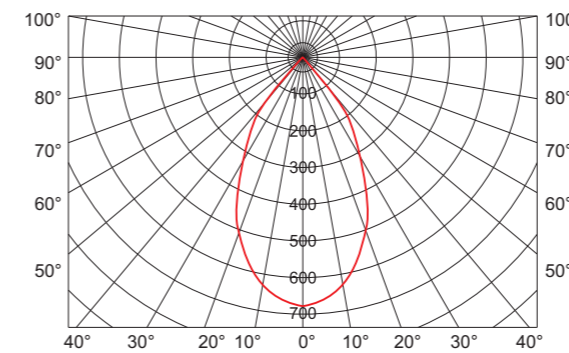
Application

- Ideal to be used in the environment of flammable gas and steam dust environment, such as Petrochemical Plant, Chemical Plant, Pharmaceutical Factory, Cable channel, etc.
- Class 1,zone1&zone2

Characteristics

- No dark spot, it can save 60% or more on energy than metal halide lamp.
- AC-DC wide voltage range driver, power factor above 0.98.
- Adopts LED anti-dazzle lens, making the light more gentle, glare free. It will not cause weariness to the operators' eyes.
- It is made using aluminum housing, all exposed fasteners adopt 304 stainless steel. Using high-tech anti-corrosion surface treatment technology, suitable for hazardous working areas.
- The PC transparency has a high light transmittance, perfect impact resistance, designed to withstand the harsh industrial applications

Light Distribution Curve



Main Specification

| Item | Technical Parameters |
|---------------------------|-------------------------|
| Input voltage range (V) | 90~264VAC |
| | 18~43VAC; 18~55VDC(low) |
| Rated frequency | 50Hz / 60Hz |
| Light source | LED |
| Life time (h) | 50,000 |
| CRI (Ra) | 70 |
| CCT | 5000K ±250K |
| Leading-in cable diameter | φ 6mm~ φ 8mm |
| Dimension (mm) | φ 150×140 |
| Net weight (kg) | 1.3 |

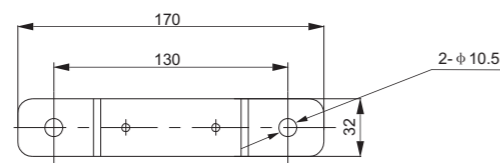
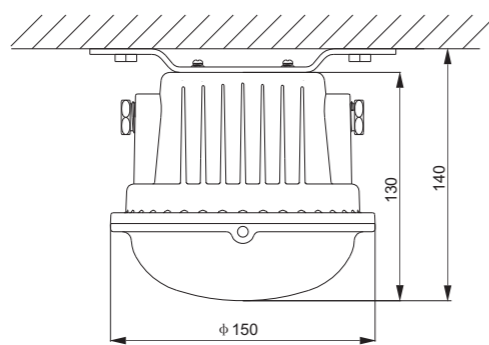


Ordering Reference

| Ordering reference | Rated wattage (W) | Light output (lm) | Mounting height (m) | Equivalent to Energy saving lamp |
|---|-------------------|-------------------|---------------------|----------------------------------|
| Input voltage range: 90~264VAC | | | | |
| BC9200-L6 | 6W | 500 | 2~4m | 18W |
| BC9200-L12 | 12W | 1000 | | 22W |
| BC9200-L20 | 20W | 1500 | | 45W |
| Input voltage range: 18~43VAC, 18~55VDC | | | | |
| BC9200-L6L | 6W | 500 | 2~4m | 18W |
| BC9200-L12L | 12W | 1000 | | 22W |
| BC9200-L20L | 20W | 1500 | | 45W |

Drawing of dimension (Dimensions in mm)

Ceiling Mounting



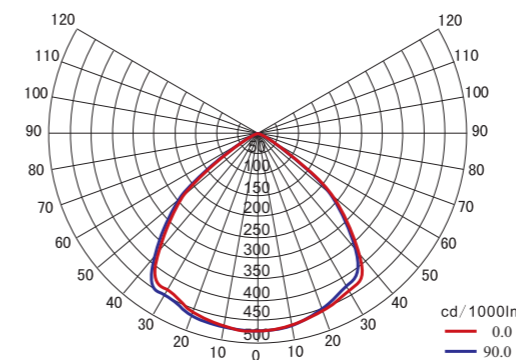
Installation dimension



Ex marking: Ex d IIB T6 Gb
Ex tb IIIC T80°C Db



Light Distribution Curve



Application

- Ideal to be used in the oilfield, chemical industry, steel industry, power, port, Petroleum etc. Harsh environment, moist area.
- class I, zone1&zone2, zone21&zone22

Characteristics

- The Light distribution and its mounting types are especially designed for the platform.
- It adopts American CREE LED as light source, can save 60% or more on energy than the metal halide lamp.
- The housing is designed to dissipate heat, which increase the efficiency and the lifespan of the LED, so that to ensure the 100,000 hours led lifespan.
- Supplied with the world top ranking Taiwan Meanwell LED driver, ensure the lamp of high performance, more efficient.
- The anti corrosion, abrasion proof, power coated cover which is dust proof, water proof, make the lamp an excellent option for all kinds of high stress environment.
- 18~43VAC or 18~55VDC is optional for 25W and 40W as customer's requirement.

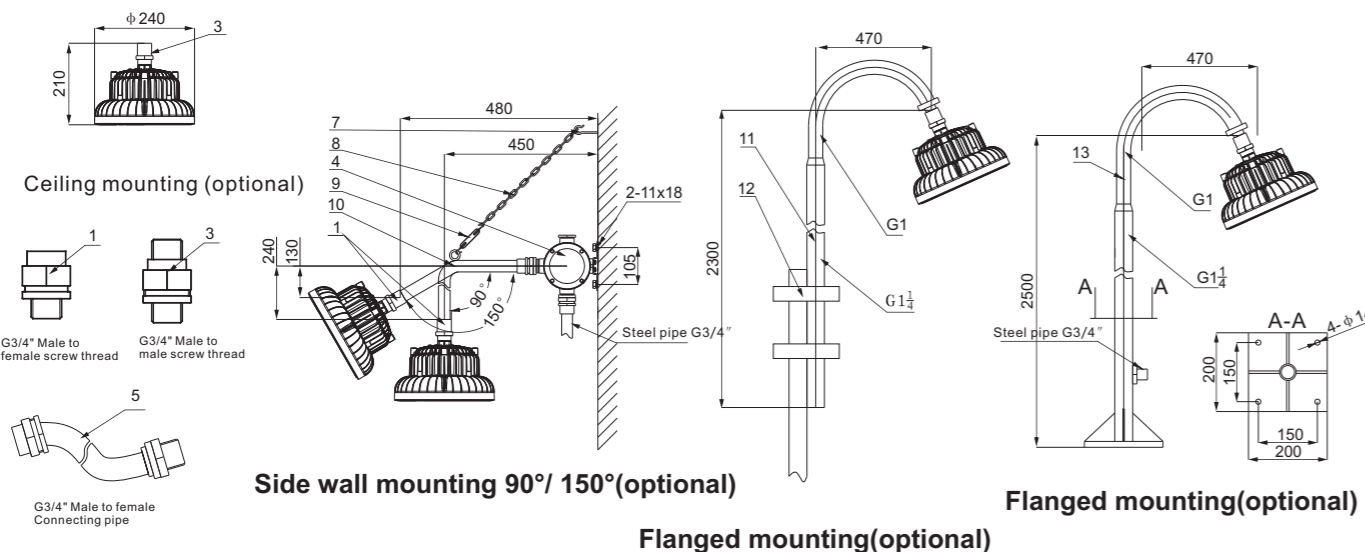
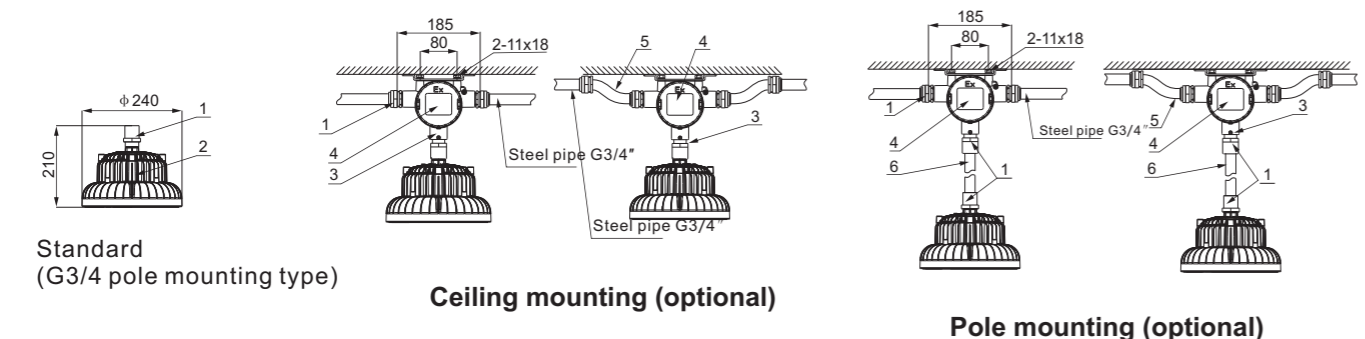
Main Specification

| Item | Technical Parameters |
|-------------------------|---|
| Input voltage range (V) | 90~264VAC 18~43VAC; 18~55VDC (low) |
| Rated frequency | 50Hz / 60Hz |
| Light source | LED |
| Life time (h) | 100,000 |
| CRI (Ra) | 75 |
| CCT | 5000K ±250K |
| Cable entry | M20×1.5, M25×1.5, G3/4", NPT1/2", NPT3/4" |
| Dimension (mm) | φ 240 × 180 |
| Net weight (kg) | 4 |

Ordering Reference

| Ordering reference | Input Voltage (V) | Rated wattage (W) | Light output (lm) | Mounting height (m) | Equivalent to |
|--------------------|----------------------|-------------------|-------------------|---------------------|---------------|
| | | | | | MH |
| BC9303- L25 | 90~264VAC | 25W | 2400 | 3~6m | 50-70W |
| BC9303- L40 | | 40W | 4300 | | 100W |
| BC9303- L60 | | 60W | 5800 | | 150W |
| BC9303- L25L | 18~43VAC 18~55VDC | 25W | 2400 | 3~6m | 50-70W |
| BC9303- L40L | | 40W | 4300 | | 100W |

Drawing of dimension (Dimensions in mm)



| Number | Name | Quantity | Remark | Number | Name | Quantity | Remark |
|--------|------------------------------|--------------------------|---|--------|-------------------|----------|---|
| 1 | Explosion proof connector | Reference mounting image | G3/4"female to male | 8 | Chain | 1 | |
| 2 | BC9303 | 1 | female to male | 9 | Turn buckle | 1 | |
| 3 | Explosion proof connector | Reference mounting image | G3/4"female to male | 10 | G3/4" bend pipe | 1 | 90 degrees and 150 degrees are optional |
| 4 | Explosion proof junction box | 1 | G3/4" | 11 | Light pole | 1 | |
| 5 | Connecting pipe | Reference mounting image | G3/4"female to male | 12 | U-bolts | 2 | |
| 6 | G3/4"pole | 1 | The length in accordance with the request of the customer | 13 | flanged type pole | 1 | |
| 7 | Screw hook | 1 | | 14 | | | |



Ex marking: Ex db e IIC T4/T5/T6 Gb
Ex tb IIIC T130°C/T95°C/T80°C Db,IP66

Application

- Ideal to be used in the oilfield, chemical industry, offshore drilling platform, steel industry, petroleum etc.
- Gas explosive environment: Group IIA,IIB,IIC.
- Zone 1,zone 2;zone 21,zone 22.



Ordering reference

| Ordering reference | Picture | Rated Wattage | Light output (lm) | Space height ratio | Mounting height | Light distribution curve(1000cd/lm) | Equivalent to MH |
|--------------------|---------|---------------|-------------------|--------------------|-----------------|-------------------------------------|------------------|
| BC9306P-L50-40° | | 50W | 5400 | 0.7 | 5~8m | | > 100W |
| BC9306P-L60-40° | | 60W | 6700 | | | | 150W |
| BC9306P-L80-40° | | 80W | 8400 | | | | 175W |

Characteristics

- It is made using a special aluminum housing, all exposed fasteners adopt 304 stainless steel. Using high-tech anti-corrosion surface treatment technology, suitable for long-term highly corrosive environment of offshore oil platforms, oil drilling platform, chlor-alkali, vulcanization cyanide, etc.
- A full range of high conductivity material accelerate convection cooling structure, effective guarantee long-term use in high temperature environments.
- Variety of light distribution, variety of installation types, an effective solution to beautify workshop and device platform.
- The shell is made of high-tech surface coating technology, corrosion resistant, waterproof and dust proof, suitable for harsh environments.
- Optoelectronic integrated technology, no dark spot, no ghosting,, energy-saving is 60% more than Metal Halide Lamp.
- Taiwan Meanwell power supply or same quality power supply, power factor above 0.98, high reliability and long time service life.
- Independent wiring chamber, safe and easy installation and maintenance.
- Quick replay light source without welding.
- Intelligent control functions can be realized.(Dimming: 1-10VDC, PWM, Carrier, DALI, etc.)

Main Specification

| Item | Technical Parameters |
|-------------------------|--------------------------------|
| Input voltage range (V) | 90~264VAC; 18~43VAC; 18~55VDC |
| Rated frequency | 50Hz / 60Hz |
| Light source | LED |
| CRI (Ra) | 70 (80 optional) |
| Life time (h) | 50,000 |
| CCT | 5000K(3000K/4000K optional) |
| Cable entry | M20,M25, G3/4",NPT1/2",NPT3/4" |
| Dimension (mm) | φ 230 × 270 |
| Net weight (kg) | 4.2 |

| Ordering reference | Picture | Rated Wattage (W) | Light output (lm) | Space height ratio | Mounting height (m) | Light distribution Curve(1000cd/lm) | Equivalent to MH |
|--------------------|---------|-------------------|-------------------|--------------------|---------------------|-------------------------------------|------------------|
| BC9306P-L30-60° | | 30W | 3400 | 0.9 | 3~6m | | 70W |
| BC9306P-L40-60° | | 40W | 4400 | | | | 100W |
| BC9306P-L50-60° | | 50W | 5400 | | > 100W | | |
| BC9306P-L60-60° | | 60W | 6700 | | 150W | | |
| BC9306P-L80-60° | | 80W | 8400 | | 175W | | |
| BC9306P-L30-80° | | 30W | 3500 | 1.4 | 3~6m | | 70W |
| BC9306P-L40-80° | | 40W | 4500 | | | | 100W |
| BC9306P-L50-80° | | 50W | 5600 | | > 100W | | |
| BC9306P-L60-80° | | 60W | 6900 | | 150W | | |
| BC9306P-L80-80° | | 80W | 8700 | | 175W | | |
| BC9306P-L30-100° | | 30W | 3500 | 1.4 | 2~6m | | 70W |
| BC9306P-L40-100° | | 40W | 4600 | | | | 100W |
| BC9306P-L50-100° | | 50W | 5600 | | > 100W | | |
| BC9306P-L60-100° | | 60W | 7000 | | 150W | | |
| BC9306P-L80-100° | | 80W | 8800 | | 175W | | |
| BC9306P-L30-200° | | 30W | 2800 | 1.75 | 2~5m | | 70W |
| BC9306P-L40-200° | | 40W | 3700 | | | | 100W |
| BC9306P-L50-200° | | 50W | 4500 | | > 100W | | |
| BC9306P-L60-200° | | 60W | 5400 | | 150W | | |
| BC9306P-L80-200° | | 80W | 6800 | | 175W | | |

Input voltage range: 18~43VAC; 18~55VDC

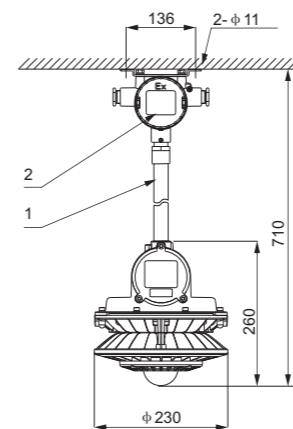
| | | | | | | | |
|------------------|-----|------|----------|-----|----------|--|------|
| BC9306P-L40L-40° | | 40W | 4400 | 0.7 | 5~8m | | 100W |
| BC9306P-L60L-40° | | 60W | 6700 | | | | 150W |
| BC9306P-L70L-40° | | 70W | 7800 | | 150~175W | | |
| BC9306P-L25L-60° | | 25W | 2800 | 0.9 | 3~6m | | 70W |
| BC9306P-L40L-60° | | 40W | 4400 | | | | 100W |
| BC9306P-L60L-60° | | 60W | 6700 | | 150W | | |
| BC9306P-L70L-60° | 70W | 7800 | 150~175W | | | | |
| BC9306P-L25L-80° | | 25W | 2900 | 1.4 | 3~6m | | 70W |
| BC9306P-L40L-80° | | 40W | 4600 | | | | 100W |
| BC9306P-L60L-80° | | 60W | 6900 | | 150W | | |
| BC9306P-L70L-80° | | 70W | 8100 | | 150~175W | | |

| Ordering reference | Picture | Rated Wattage (W) | Light output (lm) | Space height ratio | Mounting height (m) | Light distribution Curve(1000cd/lm) | Equivalent to MH |
|--------------------|---------|-------------------|-------------------|--------------------|---------------------|-------------------------------------|------------------|
| BC9306P-L25L-100° | | 25W | 2900 | 1.4 | 2~6m | | 70W |
| BC9306P-L40L-100° | | 40W | 4600 | | | | 100W |
| BC9306P-L60L-100° | | 60W | 7000 | | 150W | | |
| BC9306P-L70L-100° | | 70W | 8200 | | 150~175W | | |
| BC9306P-L25L-200° | | | 25W | | 2400 | | 1.75 |
| BC9306P-L40L-200° | 40W | | 3700 | 100W | | | |
| BC9306P-L60L-200° | 60W | | 5400 | 150W | | | |
| BC9306P-L70L-200° | 70W | | 6400 | 150~175W | | | |

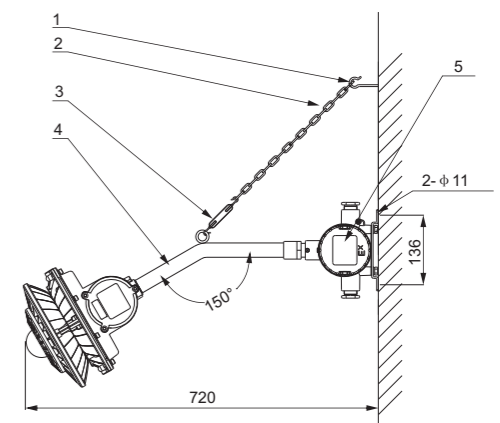
Note 1: Lens can be customized 60°×80°, 90°×110°

Drawing of dimension (Dimensions in mm)

Pole mounting



Wall mounting 150deg



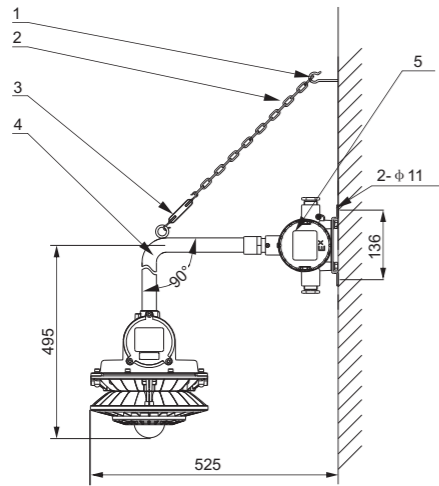
Accessories order information(Pole mounting)

| Ordering reference | Item no. | Specification | quantity |
|--------------------|----------|------------------------------|----------|
| P01 | 1 | G3/4" pole 30cm | 1 |
| BHD01 | 2 | Explosion proof junction box | 1 |

Accessories order information(Wall mounting 150deg)

| Ordering reference | Item no. | Specification | quantity |
|--------------------|----------|------------------------------|----------|
| P03 | 1 | Expansion screw hook | 1 |
| | 2 | Chain | 1 |
| | 3 | C-C turn buckle | 1 |
| | 4 | G3/4" bend pipe 150° | 1 |
| BHD01 | 5 | Explosion proof junction box | 1 |

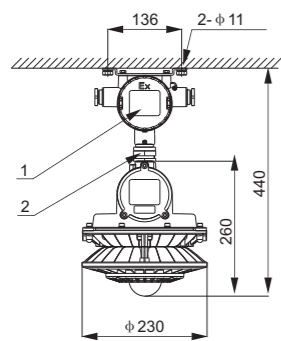
Wall mounting 90deg



Accessories order information(Wall mounting 90deg)

| Ordering reference | Item no. | Specification | quantity |
|--------------------|----------|------------------------------|----------|
| P04 | 1 | Expansion screw hook | 1 |
| | 2 | Chain | 1 |
| | 3 | C-C turn buckle | 1 |
| | 4 | G3/4" bend pipe 90° | 1 |
| BHD01 | 5 | Explosion proof junction box | 1 |

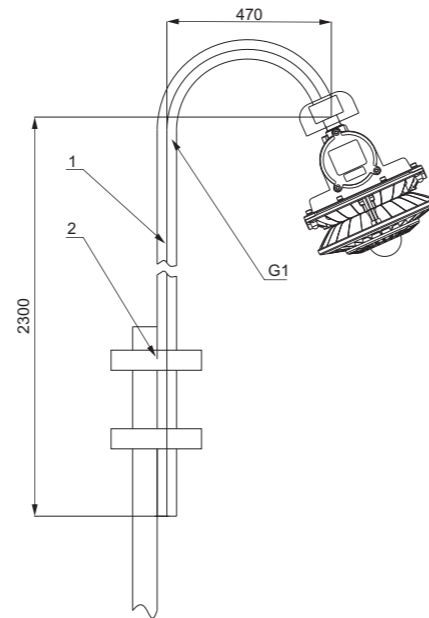
Ceiling mounting



Accessories order information(ceiling mounting)

| Ordering reference | Item no. | Specification | quantity |
|--------------------|----------|------------------------------|----------|
| BHD01 | 1 | Explosion proof junction box | 1 |
| P02 | 2 | Adapter G3/4"(female - male) | 1 |

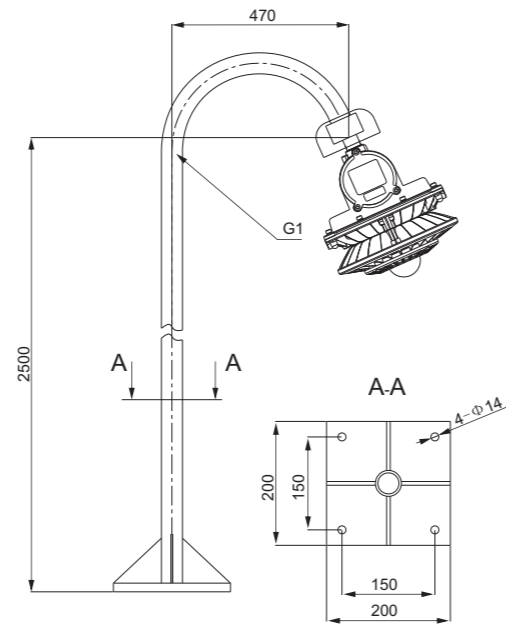
Guardrail mounting



Accessories order information(Guardrail mounting)

| Ordering reference | Item no. | Specification | quantity |
|--------------------|----------|---------------|----------|
| P05 | 1 | fence pole | 1 |
| | 2 | U type bolts | 2 |

Flange mounting



Accessories order information(Flange mounting)

| Ordering reference | Item no. | Specification | quantity |
|--------------------|----------|---------------|----------|
| P06 | 1 | Flange pole | 1 |



Ex marking: Ex db e IIC T4/T5/T6 Gb
Ex tb IIIC T130°C/T95°C/T80°C Db,IP66

Application

- Ideal to be used in the oilfield, chemical industry, offshore drilling platform, steel industry, petroleum etc.
- Gas explosive environment: Group IIA,IIB,IIC.
- Zone 1,zone 2;zone 21,zone 22.






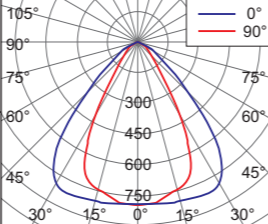
Characteristics

- It is made using a special aluminum housing, all exposed fasteners and bracket adopt 304 stainless steel. Using high-tech anti-corrosion surface treatment technology, suitable for long-term highly corrosive environment of offshore oil platforms, oil drilling platform, chlor-alkali, vulcanization cyanide, etc.
- A full range of high conductivity material accelerate convection cooling structure, effective guarantee long-term use in high temperature environments.
- Variety of light distribution, variety of installation types, an effective solution to beautify workshop and device platform.
- The shell is made of high-tech surface coating technology, corrosion resistant, waterproof and dust proof, suitable for harsh environments.
- Optoelectronic integrated technology, no dark spot, no ghosting, the average light efficiency of whole lamp can reach to 120 lm/W, energy-saving is 60% more than Metal Halide Lamp.
- Taiwan Meanwell power supply or same quality power supply, power factor above 0.98, high reliability and long time service life.
- Independent wiring chamber, safe and easy installation and maintenance.
- Quick replay light source without welding.
- Intelligent control functions can be realized.(Dimming: 1-10VDC, PWM, Carrier, DALI, etc.)

Main Specification

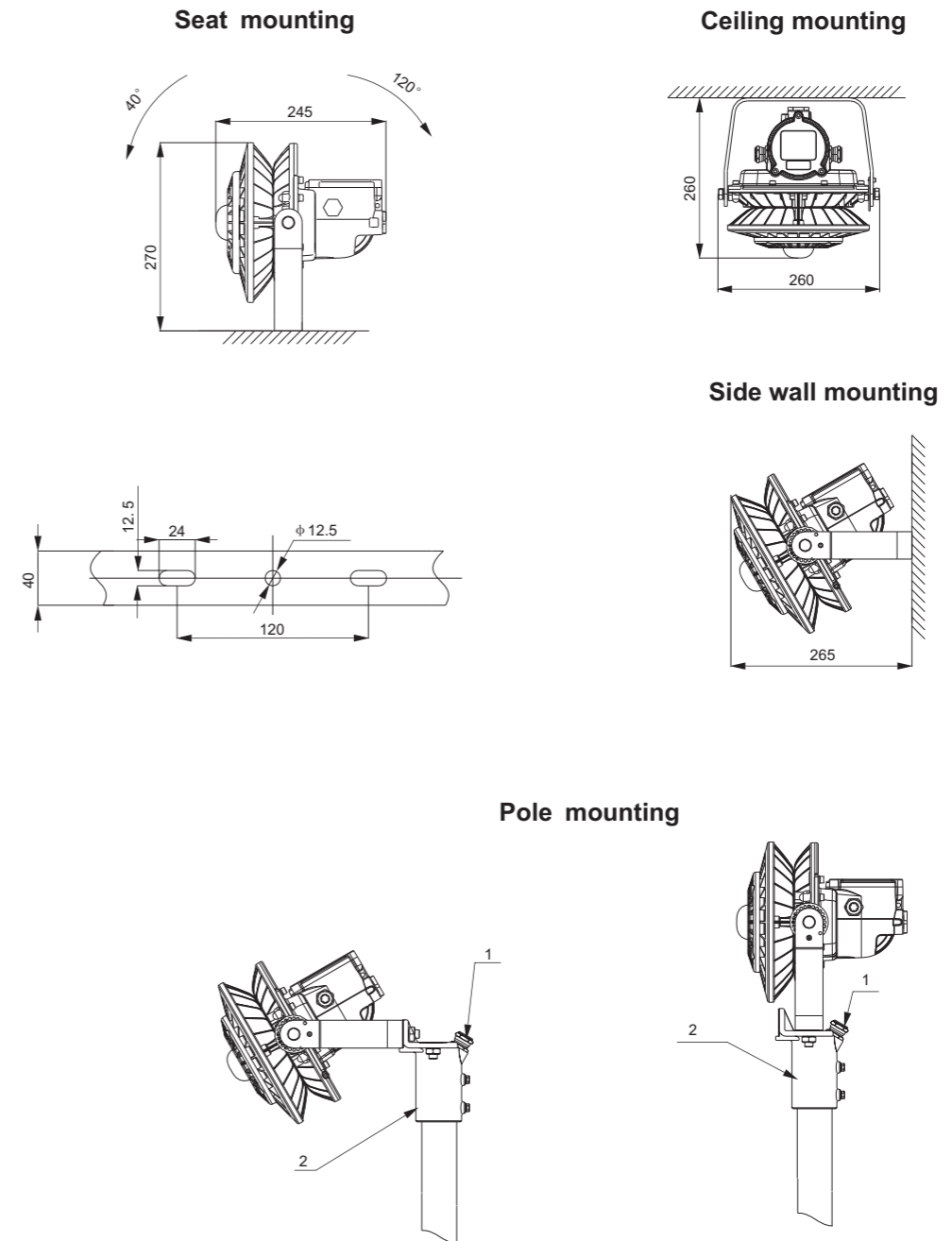
| Item | Technical Parameters |
|-------------------------|---------------------------------|
| Input voltage range (V) | 90~264VAC; 18~43VAC; 18~55VDC |
| Rated frequency | 50Hz / 60Hz |
| Light source | LED |
| CRI (Ra) | 70 (80 optional) |
| Life time (h) | 50,000 |
| CCT | 5000K(3000K/4000K optional) |
| Cable entry | M20×1.5, G3/4",NPT1/2" |
| Terminals | Multi core: ≤2.5mm ² |
| | Single core: ≤4mm ² |
| Dimension (mm) | 245×260×270 |
| Net weight (kg) | 4.9 |

Ordering reference

| Ordering reference | Picture | Rated Wattage (W) | Light output (lm) | Space height ratio | Mounting height (m) | Light distribution curve(1000cd/lm) | Equivalent to MH |
|---|---|-------------------|-------------------|--------------------|---------------------|---|------------------|
| BC9306S-L30-60°×80° |  | 30W | 3500 | 1.25 | 3~6m |  | 70W |
| BC9306S-L40-60°×80° | | 40W | 4600 | | | | 100W |
| BC9306S-L50-60°×80° | | 50W | 5600 | | 100~150W | | |
| BC9306S-L60-60°×80° | | 60W | 6900 | | 150W | | |
| BC9306S-L80-60°×80° | | 80W | 8800 | | 175W | | |
| BC9306S-L30-90°×110° |  | 30W | 3400 | 1.75 | 3~6m |  | 70W |
| BC9306S-L40-90°×110° | | 40W | 4400 | | | | 100W |
| BC9306S-L50-90°×110° | | 50W | 5600 | | 100~150W | | |
| BC9306S-L60-90°×110° | | 60W | 6700 | | 150W | | |
| BC9306S-L80-90°×110° | | 80W | 8400 | | 175W | | |
| BC9306S-L30-200° |  | 30W | 2800 | 1.75 | 3~6m |  | 70W |
| BC9306S-L40-200° | | 40W | 3700 | | | | 100W |
| BC9306S-L50-200° | | 50W | 4500 | | 100~150W | | |
| BC9306S-L60-200° | | 60W | 5400 | | 150W | | |
| BC9306S-L80-200° | | 80W | 6800 | | 175W | | |
| Input voltage range: 18~43VAC; 18~55VDC | | | | | | | |
| BC9306S-L25L-60°×80° |  | 25W | 2900 | 1.25 | 3~6m |  | 70W |
| BC9306S-L40L-60°×80° | | 40W | 4600 | | | | 100W |
| BC9306S-L60L-60°×80° | | 60W | 6900 | | 150W | | |
| BC9306S-L70L-60°×80° | | 70W | 8200 | | 150~175W | | |
| BC9306S-L25L-90°×110° |  | 25W | 2700 | 1.75 | 3~6m |  | 70W |
| BC9306S-L40L-90°×110° | | 40W | 4400 | | | | 100W |
| BC9306S-L60L-90°×110° | | 60W | 6700 | | 150W | | |
| BC9306S-L70L-90°×110° | | 70W | 7600 | | 150~175W | | |
| BC9306S-L25L-200° |  | 25W | 2400 | 1.75 | 3~6m |  | 70W |
| BC9306S-L40L-200° | | 40W | 3700 | | | | 100W |
| BC9306S-L60L-200° | | 60W | 5400 | | 150W | | |
| BC9306S-L70L-200° | | 70W | 6400 | | 150~175W | | |

Note 1: Lens can be customized 40°, 60°, 80°, 100°

Drawing of dimension (Dimensions in mm)



Accessories ordering information(optional)

| Ordering reference | Item no | Specification | quantity | note |
|--------------------|---------|------------------------|----------|-------------------|
| P07 | 1 | Water proof plug M20 | 1 | φ 8~ φ 12mm cable |
| | 2 | Vertical Mounting pole | 1 | φ 40~ φ 50mm pole |



Ex marking: Ex db e IIC T4/T5/T6 Gb
Ex tb IIIC T130°C/T95°C/T80°C Db,IP66

Application

- Ideal to be used in the oilfield, chemical industry, offshore drilling platform, steel industry, petroleum etc.
- Gas explosive environment: Group IIA,IIB,IIC.
- Zone 1,zone 2;zone 21,zone 22.



Characteristics

- It is made using a special aluminum housing, all exposed fasteners and bracket adopt 304 stainless steel. Using high-tech anti-corrosion surface treatment technology, suitable for long-term highly corrosive environment of offshore oil platforms, oil drilling platform, chlor-alkali, vulcanization cyanide, etc.
- A full range of high conductivity material accelerate convection cooling structure, effective guarantee long-term use in high temperature environments.
- Variety of light distribution, variety of installation types, an effective solution to beautify workshop and device platform.
- The shell is made of high-tech surface coating technology, corrosion resistant, waterproof and dust proof, suitable for harsh environments.
- Optoelectronic integrated technology,no dark spot, no ghosting, the average light efficiency of whole lamp can reach to 120 lm/W, energy-saving is 60% more than Metal Halide Lamp.
- Taiwan Meanwell power supply or same quality power supply, power factor above 0.98, high reliability and long time service life.
- Independent wiring chamber, safe and easy installation and maintenance.
- Quick replay light source without welding.
- Intelligent control functions can be realized.(Dimming: 1-10VDC, PWM, Carrier, DALI, etc.)

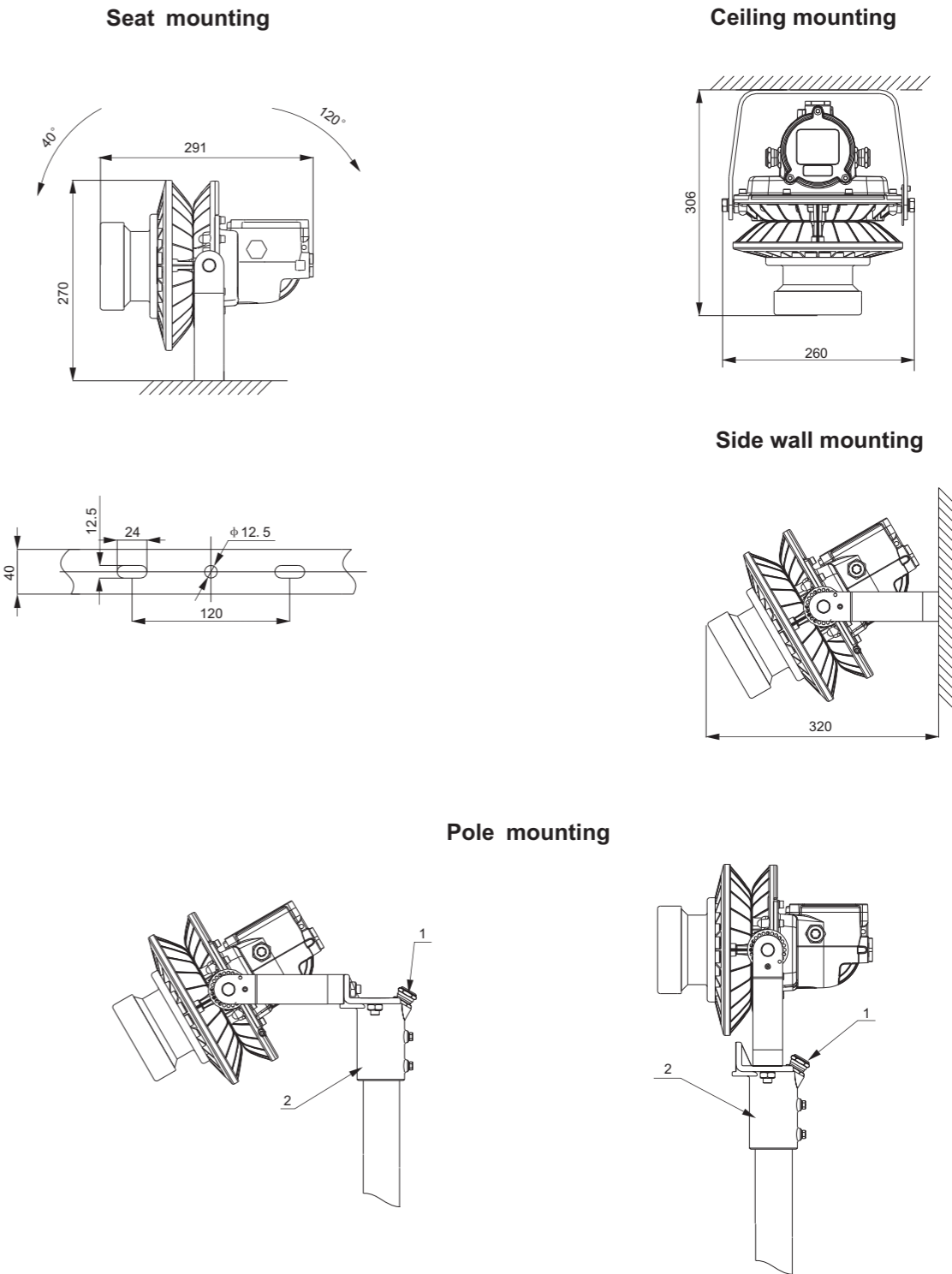
Main Specification

| Item | Technical Parameters |
|-------------------------|---------------------------------|
| Input voltage range (V) | 90~264VAC |
| Rated frequency | 50Hz / 60Hz |
| CRI (Ra) | 70 (80 optional) |
| Life time (h) | 50,000 |
| CCT | 5000K(3000K/4000K optional) |
| Cable entry | M20×1.5, G3/4",NPT1/2" |
| Terminals | Multi core: ≤2.5mm ² |
| | Single core: ≤4mm ² |
| Dimension (mm) | 291×260×270 |
| Net weight (kg) | 5.4 |

Ordering Reference

| Ordering reference | Picture | Rated Wattage (W) | Light output (lm) | Light distribution curve(1000cd/lm) | Equivalent to MH |
|--------------------|---------|-------------------|-------------------|-------------------------------------|------------------|
| BC9306S-L60-18° | | 60W | 5900 | | 150W |
| BC9306S-L80-18° | | 80W | 7500 | | 175W |

Drawing of dimension (Dimensions in mm)



Accessories ordering information(optional)

| Ordering reference | Item no | Specification | quantity | note |
|--------------------|---------|------------------------|----------|-------------------|
| P07 | 1 | Water proof plug M20 | 1 | φ 8~ φ 12mm cable |
| | 2 | Vertical Mounting pole | 1 | φ 40~ φ 50mm pole |



Ex marking: Ex db e IIC T3/T4 Gb
Ex tb IIIC T195°C/T130°C Db,IP66

Application

- Ideal to be used in the oilfield, chemical industry, offshore drilling platform, steel industry, petroleum etc.
- Gas explosive environment: Group IIA,IIB,IIC.
- Zone 1,zone 2; zone 21,zone 22.



Characteristics

- It is made using a special aluminum housing, all exposed fasteners adopt 304 stainless steel. Using high-tech anti-corrosion surface treatment technology, suitable for long-term highly corrosive environment of offshore oil platforms, oil drilling platform, chlor-alkali, vulcanization cyanide, etc.
- A full range of high conductivity material accelerate convection cooling structure, effective guarantee long-term use in high temperature environments.
- Variety of light distribution, variety of installation types, an effective solution to beautify workshop and device platform.
- The shell is made of high-tech surface coating technology, corrosion resistant, waterproof and dust proof, suitable for harsh environments.
- Optoelectronic integrated technology, no dark spot, no ghosting, the average light efficiency of whole lamp can reach to 120 lm/W, energy-saving is 60% more than Metal Halide Lamp.
- Taiwan Meanwell driver or driver with same quality, power factor above 0.98, high reliability and long time service life.
- Independent wiring chamber, safe and easy installation and maintenance.
- Quick replay light source without welding.
- Intelligent control functions can be realized.(Dimming: 1-10VDC, PWM, Carrier, DALI, etc.)

Main Specification

| Item | Technical Parameters |
|-------------------------|-----------------------------------|
| Input voltage range (V) | 90~264VAC |
| Rated frequency | 50Hz / 60Hz |
| CRI (Ra) | 70 (80 optional) |
| Life time (h) | 50,000 |
| CCT | 5000K(3000K/4000K optional) |
| Cable entry | M20,M25, G3/4",NPT1/2",NPT3/4" |
| Terminals | Multi core: $\leq 2.5\text{mm}^2$ |
| | Single core: $\leq 4\text{mm}^2$ |
| Dimension (mm) | $\phi 300 \times 290$ |
| Net weight (kg) | 6.4 |

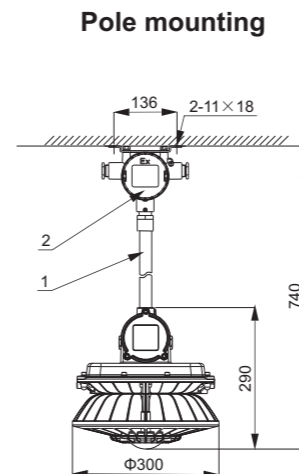
Ordering reference

| Ordering reference | Picture | Rated Wattage (W) | Light output (lm) | Space height ratio | Mounting height (m) | Light distribution curve(1000cd/lm) | Equivalent to MH |
|--------------------|---------|-------------------|-------------------|--------------------|---------------------|-------------------------------------|------------------|
| BC9307P-L100-40° | | 100W | 11300 | 0.7 | 8~12m | | 250W |
| BC9307P-L120-40° | | 120W | 13000 | | | | >250W |
| BC9307P-L150-40° | | 150W | 16500 | | 400W | | |
| BC9307P-L180-40° | | 180W | 17500 | | >400W | | |

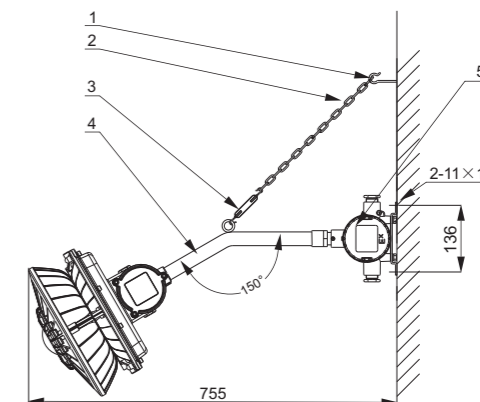
| Ordering reference | Picture | Rated Wattage (W) | Light output (lm) | Space height ratio | Mounting height (m) | Light distribution curve(1000cd/lm) | Equivalent to MH |
|--------------------|---------|-------------------|-------------------|--------------------|---------------------|-------------------------------------|------------------|
| BC9307P-L100-60° | | 100W | 11200 | 0.9 | 8~12m | | 250W |
| BC9307P-L120-60° | | 120W | 12900 | | | | >250W |
| BC9307P-L150-60° | | 150W | 16500 | | 400W | | |
| BC9307P-L200-60° | | 200W | 23100 | | >400W | | |
| BC9307P-L240-60° | | 240W | 26700 | | 20~30m | | 600W~800W |
| BC9307P-L100-80° | | 100W | 11500 | 1.35 | 8~12m | | 250W |
| BC9307P-L120-80° | | 120W | 13200 | | | | >250W |
| BC9307P-L150-80° | | 150W | 16800 | | 400W | | |
| BC9307P-L200-80° | | 200W | 23700 | | >400W | | |
| BC9307P-L240-80° | | 240W | 27200 | | 15~25m | | 600W~800W |
| BC9307P-L100-100° | | 100W | 11600 | 1.4 | 8~12m | | 250W |
| BC9307P-L120-100° | | 120W | 13400 | | | | >250W |
| BC9307P-L150-100° | | 150W | 17000 | | 400W | | |
| BC9307P-L200-100° | | 200W | 23900 | | >400W | | |
| BC9307P-L240-100° | | 240W | 27400 | | 15~20m | | 600W~800W |

Note 1: Lens can be customized 60°×80°,90°×100°,200°

Drawing of dimension (Dimensions in mm)



Wall mounting 150deg



Accessories order information(Pole mounting)

| Ordering reference | Item no. | Specification | quantity |
|--------------------|----------|------------------------------|----------|
| P01 | 1 | G3/4" pole 30cm | 1 |
| BHD01 | 2 | Explosion proof junction box | 1 |

Accessories order information(Wall mounting 150deg)

| Ordering reference | Item no. | Specification | quantity |
|--------------------|----------|------------------------------|----------|
| P03 | 1 | Expansion screw hook | 1 |
| | 2 | Chain | 1 |
| | 3 | C-C turn buckle | 1 |
| | 4 | G3/4" bend pipe 150° | 1 |
| BHD01 | 5 | Explosion proof junction box | 1 |



Ex marking: Ex db e IIC T3/T4 Gb
Ex tb IIC T195°C/T130°C Db,IP66

Characteristics

- It is made using a special aluminum housing, all exposed fasteners and bracket adopt 304 stainless steel. Using high-tech anti-corrosion surface treatment technology, suitable for long-term highly corrosive environment of offshore oil platforms, oil drilling platform, chlor-alkali, vulcanization cyanide, etc.
- A full range of high conductivity material accelerate convection cooling structure, effective guarantee long-term use in high temperature environments.
- Variety of light distribution, variety of installation types, an effective solution to beautify workshop and device platform.
- The shell is made of high-tech surface coating technology, corrosion resistant, waterproof and dust proof, suitable for harsh environments.
- Optoelectronic integrated technology, no dark spot, no ghosting, the average light efficiency of whole lamp can reach to 120 lm/W, energy-saving is 60% more than Metal Halide Lamp.
- Taiwan Meanwell driver or driver with same quality, power factor above 0.98, high reliability and long time service life.
- Independent wiring chamber, safe and easy installation and maintenance.
- Quick replay light source without welding.
- Intelligent control functions can be realized.(Dimming: 1-10VDC, PWM, Carrier, DALI, etc.)

Main Specification

| Item | Technical Parameters |
|-------------------------|--------------------------------|
| Input voltage range (V) | 90~264VAC |
| Rated frequency | 50Hz / 60Hz |
| CRI (Ra) | 70 (80 optional) |
| Life time (h) | 50,000 |
| CCT | 5000K(3000K/4000K optional) |
| Cable entry | M20×1.5, G3/4", NPT1/2" |
| Terminals | Multi core: ≤4mm ² |
| | Single core: ≤6mm ² |
| Dimension (mm) | 295×330×350 |
| Net weight (kg) | 7.5 |

Application

- Ideal to be used in the oilfield, chemical industry, offshore drilling platform, steel industry, petroleum etc.
- Gas explosive environment: Group IIA, IIB, IIC.
- Zone 1, zone 2; zone 21, zone 22.



Ordering Reference

| Ordering reference | Picture | Rated Wattage (W) | Light output (lm) | Space height ratio | Mounting height (m) | Light distribution Curve(1000cd/lm) | Equivalent to MH |
|------------------------|---------|-------------------|-------------------|--------------------|---------------------|-------------------------------------|------------------|
| BC9307S□ -L100-60°×80° | | 100W | 11800 | 1.25 | 8~12m | | 250W |
| BC9307S□ -L120-60°×80° | | 120W | 13600 | | | | >250W |
| BC9307S□ -L150-60°×80° | | 150W | 17300 | | 400W | | |
| BC9307S□ -L200-60°×80° | | 200W | 23300 | | >400W | | |
| BC9307S□ -L240-60°×80° | | 240W | 26700 | | 600W~800W | | |

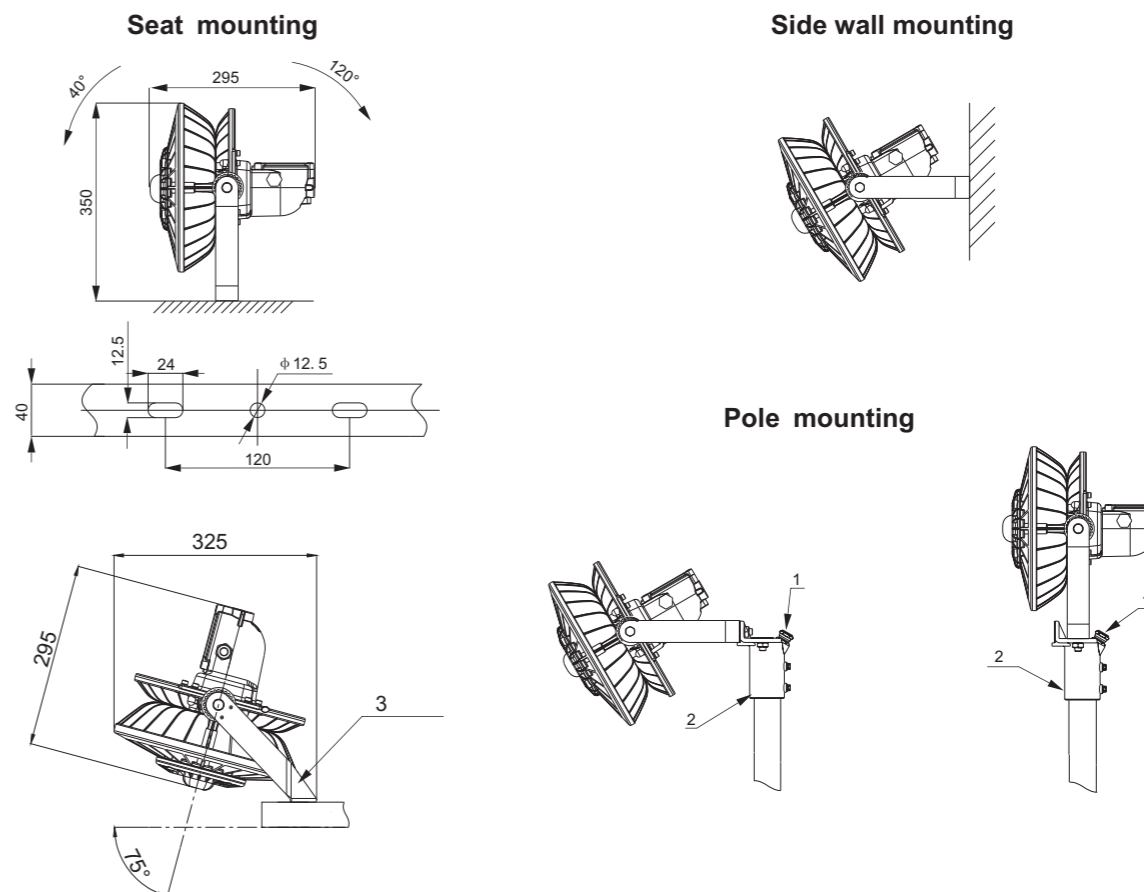
Ordering Reference

| Ordering reference | Picture | Rated Wattage (W) | Light output (lm) | Space height ratio | Mounting height (m) | Light distribution curve(1000cd/lm) | Equivalent to MH |
|-------------------------|---------|-------------------|-------------------|--------------------|---------------------|-------------------------------------|------------------|
| BC9307S□ -L100-90°×110° | | 100W | 11000 | 1.75 | 8~12m | | 250W |
| BC9307S□ -L120-90°×110° | | 120W | 12600 | | | | >250W |
| BC9307S□ -L150-90°×110° | | 150W | 16000 | | 400W | | |
| BC9307S□ -L200-90°×110° | | 200W | 22000 | | >400W | | |
| BC9307S□ -L240-90°×110° | | 240W | 25300 | | 600W~800W | | |

Note 1: Lens can be customized 40°, 60°, 80°, 100°

Note 2: order number "□" according to the actual installation needs fill in 1 or 2, S1 straight stent, S2 angle bracket.

Drawing of dimension (Dimensions in mm)



Accessories ordering information(optional)

| Ordering reference | Item no | Specification | quantity |
|--------------------|---------|------------------|----------|
| P23 | 3 | Inclined bracket | 1 |

Accessories ordering information(optional)

| Ordering reference | Item no | Specification | quantity | note |
|--------------------|---------|------------------------|----------|-------------------|
| P07 | 1 | Water proof plug M20 | 1 | φ 8~ φ 12mm cable |
| | 2 | Vertical Mounting pole | 1 | φ 40~ φ 50mm pole |



Ex marking: Ex db e IIC T3/T4 Gb
Ex tb IIC T195°C/T130°C Db,IP66

Characteristics

- It is made using a special aluminum housing, all exposed fasteners and bracket adopt 304 stainless steel. Using high-tech anti-corrosion surface treatment technology, suitable for long-term highly corrosive environment of offshore oil platforms, oil drilling platform, chlor-alkali, vulcanization cyanide, etc.
- A full range of high conductivity material accelerate convection cooling structure, effective guarantee long-term use in high temperature environments.
- Variety of light distribution, variety of installation types, an effective solution to beautify workshop and device platform.
- The shell is made of high-tech surface coating technology, corrosion resistant, waterproof and dust proof, suitable for harsh environments.
- Optoelectronic integrated technology, no dark spot, no ghosting, the average light efficiency of whole lamp can reach to 120 lm/W, energy-saving is 60% more than Metal Halide Lamp.
- Taiwan Meanwell driver or driver with same quality, power factor above 0.98, high reliability and long time service life.
- Independent wiring chamber, safe and easy installation and maintenance.
- Quick replay light source without welding.
- Intelligent control functions can be realized. (Dimming: 1-10VDC, PWM, Carrier, DALI, etc.)

Main Specification

| Item | Technical Parameters |
|-------------------------|--------------------------------|
| Input voltage range (V) | 90~264VAC |
| Rated frequency | 50Hz / 60Hz |
| CRI (Ra) | 70 (80 optional) |
| Life time (h) | 50,000 |
| CCT | 5000K(3000K/4000K optional) |
| Cable entry | M20×1.5, G3/4", NPT1/2" |
| Terminals | Multi core: ≤4mm ² |
| | Single core: ≤6mm ² |
| Dimension (mm) | 341×330×350 |
| Net weight (kg) | 8.1 |

Application

- Ideal to be used in the oilfield, chemical industry, offshore drilling platform, steel industry, petroleum etc.
- Gas explosive environment: Group IIA, IIB, IIC.
- Zone 1, zone 2; zone 21, zone 22.



Ordering Reference

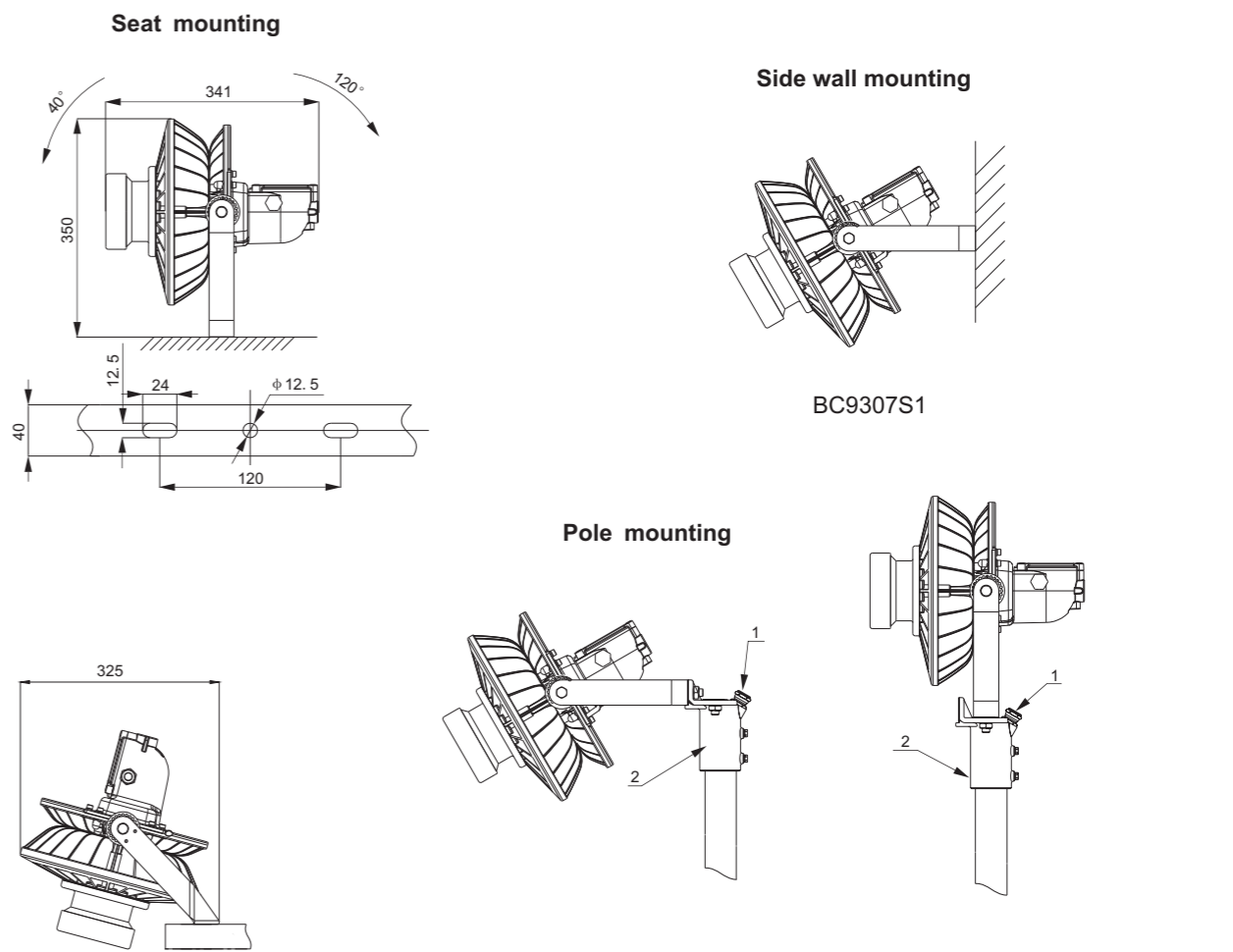
| Ordering reference | Picture | Rated Wattage (W) | Light output (lm) | Light distribution curve(1000cd/lm) | Equivalent to MH |
|--------------------|---------|-------------------|-------------------|-------------------------------------|------------------|
| BC9307S□ -L100-18° | | 100W | 10000 | | 250W |
| BC9307S□ -L120-18° | | 120W | 11500 | | >250W |
| BC9307S□ -L150-18° | | 150W | 14600 | | 400W |
| BC9307S□ -L180-18° | | 180W | 15500 | | >400W |

Ordering Reference

| Ordering reference | Picture | Rated Wattage (W) | Light output (lm) | Light distribution curve(1000cd/lm) | Equivalent to MH |
|--------------------|---------|-------------------|-------------------|-------------------------------------|------------------|
| BC9307S□ -L200-25° | | 200W | 20300 | | >400W |
| BC9307S□ -L240-25° | | 240W | 23500 | | 400W~600W |

Note : order number "□" according to the actual installation needs fill in 1 or 2, S1 straight stent, S2 angle bracket.

Drawing of dimension (Dimensions in mm)



Accessories ordering information(optional)

| Ordering reference | Item no | Specification | quantity | note |
|--------------------|---------|------------------------|----------|-------------------|
| P07 | 1 | Water proof plug M20 | 1 | φ 8~ φ 12mm cable |
| | 2 | Vertical Mounting pole | 1 | φ 40~ φ 50mm pole |

Ex

CE
RoHS
LM79
LM84
IP66
Ta55
Ta-40



Ex marking: Ex d IIC T5/T6 Gb
Ex tD A21 IP66 T95°C/T80°C,IP66

Application

- Suitable for oil drilling, refining platform, chemical petrol factory, pharmaceutical factory, polishing factory, etc.
- Gas explosive environment: Group IIA,IIB, IIC.
- Zone 1, zone 2; zone 21, zone 22.



Characteristics

- It is made using a special aluminum housing, All exposed fasteners adopt 304 stainless steel. Using high-tech anti-corrosion surface treatment technology, suitable for long-term highly corrosive environment of offshore oil platforms, oil drilling platform, chlor-alkali, vulcanization cyanide, etc.
- A full range of high conductivity material accelerate convection cooling structure, effective guarantee long-term use in high temperature environments.
- Variety of Light distribution and installation types under one lamp design, an effective solution to beautify workshop and device platform.
- Optoelectronic integrated technology, no dark spot, no ghosting, energy-saving is 60% more than Metal Halide Lamp.
- AC-DC wide voltage and constant power driver, can be long-term used in voltage instability places.
- Quick replay light source without welding.
- Windward area is only 30% of the traditional lamp, suitable for high-altitude winds area.

Main Specification

| Item | Technical Parameters |
|-------------------------|-------------------------------|
| Input voltage range (V) | 90~264VAC; 18~43VAC; 18~55VDC |
| Rated frequency | 50Hz / 60Hz |
| Light source | LED |
| Life time (h) | 50,000 |
| CRI (Ra) | 70 (80 optional) |
| CCT | 5000K(3000K/4000K optional) |
| Cable entry | G3/4",NPT3/4" |
| Dimension (mm) | φ230×170 |
| Net weight (kg) | 3 |

Ordering reference

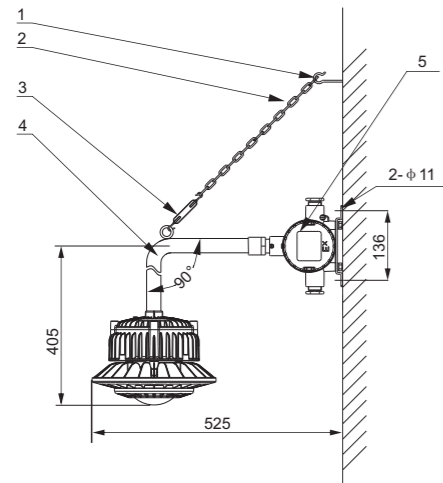
| Ordering reference | Picture | Rated Wattage (W) | Light output (lm) | Space height ratio | Mounting height (m) | Light distribution curve(1000cd/lm) | Equivalent to MH |
|--------------------------------|---------|-------------------|-------------------|--------------------|---------------------|-------------------------------------|------------------|
| Input voltage range: 90~264VAC | | | | | | | |
| BC9308P-L30-60° | | 30W | 3400 | 0.9 | 3~6m | | 70W |
| BC9308P-L40-60° | | 40W | 4400 | | | | 100W |
| BC9308P-L50-60° | | 50W | 5400 | | | | 100W |
| BC9308P-L60-60° | | 60W | 6700 | | | | 150W |
| BC9308P-L80-60° | | 80W | 8400 | | | | 175W |

Note 1: Lens can be customized 60°×80°,90°×110°

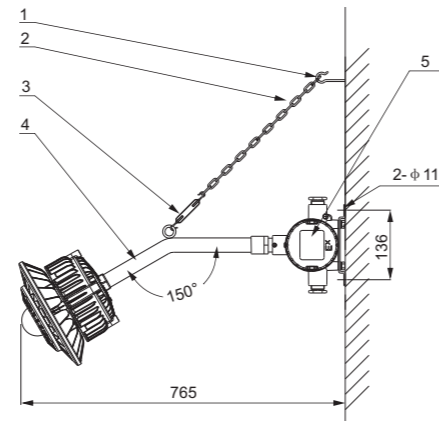
| Ordering reference | Picture | Rated Wattage (W) | Light output (lm) | Space height ratio | Mounting height (m) | Light distribution curve(1000cd/lm) | Equivalent to MH |
|---|---------|-------------------|-------------------|--------------------|---------------------|-------------------------------------|------------------|
| Input voltage range: 90~264VAC | | | | | | | |
| BC9308P-L30-80° | | 30W | 3500 | 1.35 | 3~6m | | 70W |
| BC9308P-L40-80° | | 40W | 4500 | | | | 100W |
| BC9308P-L50-80° | | 50W | 5600 | | | | 100W |
| BC9308P-L60-80° | | 60W | 6900 | | | | 150W |
| BC9308P-L80-80° | 80W | 8700 | 175W | | | | |
| BC9308P-L30-100° | | 30W | 3500 | 1.4 | 3~6m | | 70W |
| BC9308P-L40-100° | | 40W | 4600 | | | | 100W |
| BC9308P-L50-100° | | 50W | 5600 | | | | 100W |
| BC9308P-L60-100° | | 60W | 7000 | | | | 150W |
| BC9308P-L80-100° | 80W | 8800 | 175W | | | | |
| BC9308P-L30-200° | | 30W | 2800 | 1.75 | 2~5m | | 70W |
| BC9308P-L40-200° | | 40W | 3700 | | | | 100W |
| BC9308P-L50-200° | | 50W | 4500 | | | | 100W |
| BC9308P-L60-200° | | 60W | 5400 | | | | 150W |
| BC9308P-L80-200° | 80W | 6800 | 175W | | | | |
| Input voltage range: 18~43VAC; 18~55VDC | | | | | | | |
| BC9308P-L25L-60° | | 25W | 2800 | 0.9 | 3~6m | | 70W |
| BC9308P-L40L-60° | | 40W | 4400 | | | | 100W |
| BC9308P-L60L-60° | | 60W | 6700 | | | | 150W |
| BC9308P-L70L-60° | | 70W | 7800 | | | | 150~175W |
| BC9308P-L25L-80° | | 25W | 2900 | 1.4 | 3~6m | | 70W |
| BC9308P-L40L-80° | | 40W | 4600 | | | | 100W |
| BC9308P-L60L-80° | | 60W | 6900 | | | | 150W |
| BC9308P-L70L-80° | | 70W | 8100 | | | | 150~175W |
| BC9308P-L25L-100° | | 25W | 2900 | 1.4 | 3~6m | | 70W |
| BC9308P-L40L-100° | | 40W | 4600 | | | | 100W |
| BC9308P-L60L-100° | | 60W | 7000 | | | | 150W |
| BC9308P-L70L-100° | | 70W | 8200 | | | | 150~175W |
| BC9308P-L25L-200° | | 25W | 2400 | 1.75 | 2~5m | | 70W |
| BC9308P-L40L-200° | | 40W | 3700 | | | | 100W |
| BC9308P-L60L-200° | | 60W | 5400 | | | | 150W |
| BC9308P-L70L-200° | | 70W | 6400 | | | | 150~175W |

Drawing of dimension (Dimensions in mm)

Wall mounting 90°



Wall mounting 150°



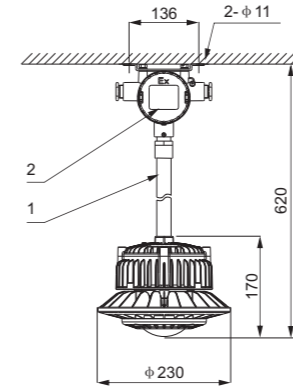
Accessories order information(Wall mounting 90deg)

| Ordering reference | Item no. | Specification | quantity |
|--------------------|----------|------------------------------|----------|
| P04 | 1 | Expansion screw hook | 1 |
| | 2 | Chain | 1 |
| | 3 | C-C turn buckle | 1 |
| | 4 | G3/4" bend pipe 90° | 1 |
| BHD01 | 5 | Explosion proof junction box | 1 |

Accessories order information(Wall mounting 150deg)

| Ordering reference | Item no. | Specification | quantity |
|--------------------|----------|------------------------------|----------|
| P03 | 1 | Expansion screw hook | 1 |
| | 2 | Chain | 1 |
| | 3 | C-C turn buckle | 1 |
| | 4 | G3/4" bend pipe 150° | 1 |
| BHD01 | 5 | Explosion proof junction box | 1 |

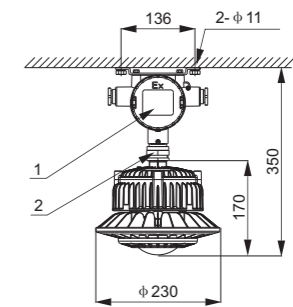
Pole mounting



Accessories order information(Pole mounting)

| Ordering reference | Item no. | Specification | quantity |
|--------------------|----------|------------------------------|----------|
| P01 | 1 | G3/4" pole 30cm | 1 |
| BHD01 | 2 | Explosion proof junction box | 1 |

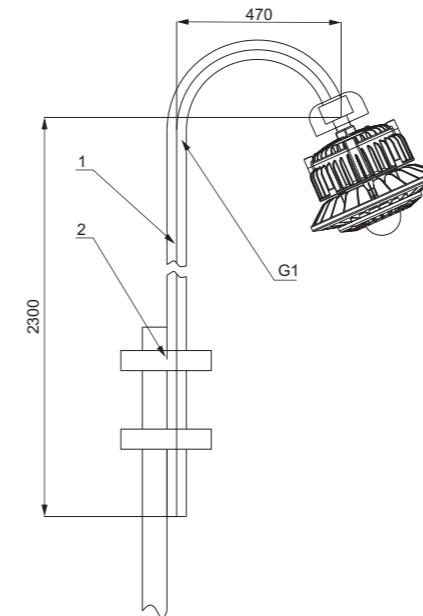
Ceiling mounting



Accessories order information(ceiling mounting)

| Ordering reference | Item no. | Specification | quantity |
|--------------------|----------|------------------------------|----------|
| BHD01 | 1 | Explosion proof junction box | 1 |
| P02 | 2 | Adapter G3/4"(Female-male) | 1 |

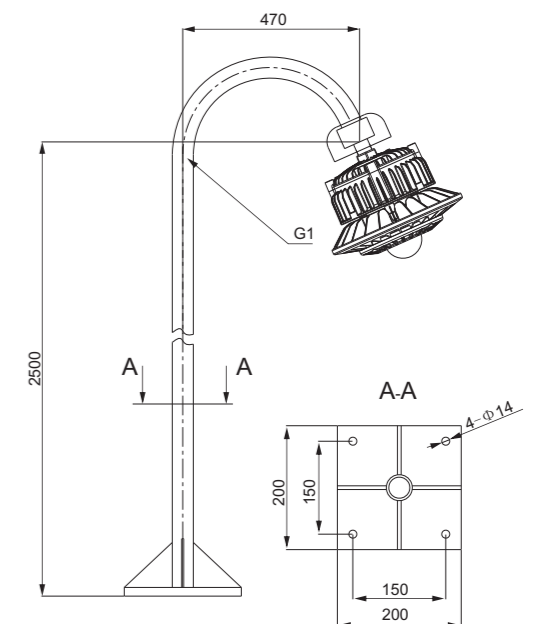
Guardrail mounting



Accessories order information(Guardrail mounting)

| Ordering reference | Item no. | Specification | quantity |
|--------------------|----------|---------------|----------|
| P05 | 1 | fence pole | 1 |
| | 2 | U type bolts | 2 |

Flange mounting



Accessories order information(Flange mounting)

| Ordering reference | Item no. | Specification | quantity |
|--------------------|----------|---------------|----------|
| P06 | 1 | Flange pole | 1 |

Ex

CE
RoHS
LM79
LM84
IP
66
Ta
55
Ta
-40



Ex marking: Ex d IIC T5/T6 Gb
Ex tD A21 IP66 T95°C/T80°C,IP66

Application

- Suitable for oil drilling, refining platform, chemical petrol factory, pharmaceutical factory, polishing factory, etc.
- Gas explosive environment: Group IIA,IIB,IIC.
- Zone 1,zone 2;zone 21,zone 22.



Characteristics

- It is made using a special aluminum housing, all exposed fasteners adopt 304 stainless steel. Using high-tech anti-corrosion surface treatment technology, suitable for long-term highly corrosive environment of offshore oil platforms, oil drilling platform, chlor-alkali, vulcanization cyanide, etc.
- A full range of high conductivity material accelerate convection cooling structure, effective guarantee long-term use in high temperature environments.
- Variety of Light distribution and installation types under one lamp design, an effective solution to beautify workshop and device platform.
- Optoelectronic integrated technology, no dark spot, no ghosting, energy-saving is 60% more than Metal Halide Lamp.
- AC-DC wide voltage and constant power driver, can be long-term used in voltage instability places.
- Quick replay light source without welding.
- Windward area is only 30% of the traditional lamp, suitable for high-altitude winds area.

Main Specification

| Item | Technical Parameters |
|-------------------------|-------------------------------|
| Input voltage range (V) | 90~264VAC; 18~43VAC; 18~55VDC |
| Rated frequency | 50Hz / 60Hz |
| Light source | LED |
| Life time (h) | 50,000 |
| CRI (Ra) | 70 (80 optional) |
| CCT | 5000K(3000K/4000K optional) |
| Cable entry | G3/4",NPT3/4" |
| Dimension (mm) | 180×230×270 |
| Net weight (kg) | 3.7 |

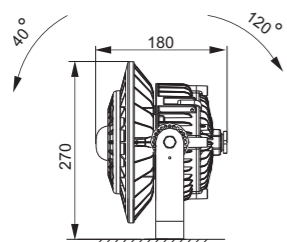
Ordering Reference

| Ordering reference | Picture | Rated Wattage (W) | Light output (lm) | Space height ratio | Mounting height (m) | Light distribution curve(1000cd/lm) | Equivalent to MH |
|--|---------|-------------------|-------------------|--------------------|---------------------|-------------------------------------|------------------|
| Input voltage range: 90~264VAC | | | | | | | |
| BC9308S-L30-60°×80° | | 30W | 3500 | 1.25 | 3~6m | | 70W |
| BC9308S-L40-60°×80° | | 40W | 4600 | | | | 100W |
| BC9308S-L50-60°×80° | | 50W | 5600 | | | | 100W |
| BC9308S-L60-60°×80° | | 60W | 6900 | | | | 150W |
| BC9308S-L80-60°×80° | | 80W | 8800 | | | | 175W |
| BC9308S-L30-90°×110° | | 30W | 3300 | 1.75 | 3~6m | | 70W |
| BC9308S-L40-90°×110° | | 40W | 4400 | | | | 100W |
| BC9308S-L50-90°×110° | | 50W | 5600 | | | | 100W |
| BC9308S-L60-90°×110° | | 60W | 6700 | | | | 150W |
| BC9308S-L80-90°×110° | | 80W | 8400 | | | | 175W |
| BC9308S-L30-200° | | 30W | 2800 | 1.75 | 2~5m | | 70W |
| BC9308S-L40-200° | | 40W | 3700 | | | | 100W |
| BC9308S-L50-200° | | 50W | 4500 | | | | 100W |
| BC9308S-L60-200° | | 60W | 5400 | | | | 150W |
| BC9308S-L80-200° | | 80W | 6800 | | | | 175W |
| Input voltage range: 24VAC/DC;36VAC/DC | | | | | | | |
| BC9308S-L25L-60°×80° | | 25W | 2900 | 1.25 | 3~6m | | 70W |
| BC9308S-L40L-60°×80° | | 40W | 4600 | | | | 100W |
| BC9308S-L60L-60°×80° | | 60W | 6900 | | | | 150W |
| BC9308S-L70L-60°×80° | | 70W | 8200 | | | | 150~175W |
| BC9308S-L25L-90°×110° | | | 25W | | | | 2700 |
| BC9308S-L40L-90°×110° | 40W | | 4400 | 100W | | | |
| BC9308S-L60L-90°×110° | 60W | | 6700 | 150W | | | |
| BC9308S-L70L-90°×110° | 70W | | 7600 | 150~175W | | | |
| BC9308S-L25L-200° | | | 25W | 2400 | 1.75 | 2~5m | |
| BC9308S-L40L-200° | | 40W | 3700 | 100W | | | |
| BC9308S-L60L-200° | | 60W | 5400 | 150W | | | |
| BC9308S-L70L-200° | | 70W | 6400 | 150~175W | | | |

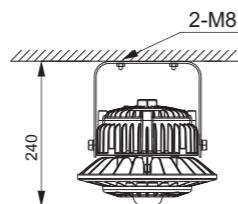
Note 1: Lens can be customized 40°,60°,80°,100°

Drawing of dimension (Dimensions in mm)

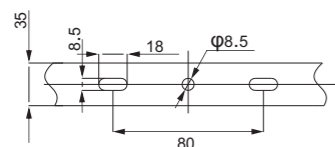
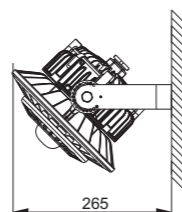
Seat mounting



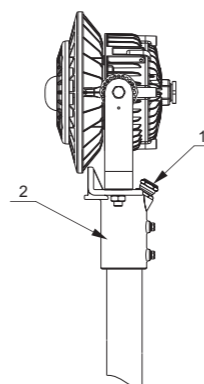
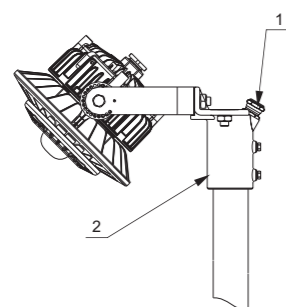
Ceiling mounting



Side wall mounting



Pole mounting



Accessories ordering information(optional)

| Ordering reference | Item no | Specification | quantity | note |
|--------------------|---------|------------------------|----------|-------------------|
| P07 | 1 | Water proof plug M20 | 1 | φ 8~ φ 12mm cable |
| | 2 | Vertical Mounting pole | 1 | φ 40~ φ 50mm pole |

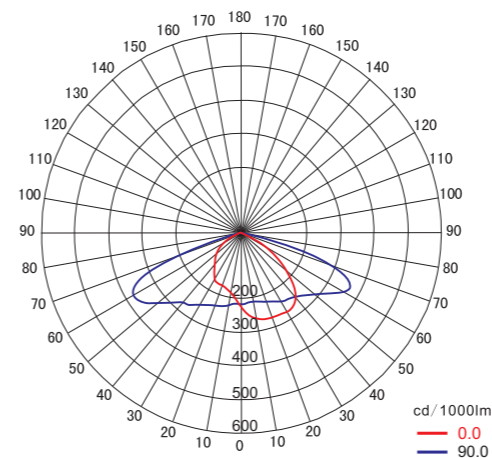


Ex marking: Ex db IIC T3/T4 Gb
Ex tb IIIC T195°C/T130°C Db

Application

- Applicable to the gas explosion zone 1, zone 2 and zone 21, zone 22 dust explosion;
- Oil wharf, petrochemical plant, chemical plant, pharmaceutical factory and other dangerous road lighting tank.

Light Distribution Curve



Characteristics

- A full range of high conductivity material accelerate convection cooling structure, effective guarantee long-term use in high temperature environments.
- Variety of light distribution, variety of installation types, an effective solution to beautify workshop and device platform.
- It adopts imported light source, no dark spot, energy-saving is 60% more than Metal Halide Lamp.
- AC-DC wide voltage driver, power factor above 0.98.
- The rapid replacement of power without welding can be realized.
- The adjustable locking device on the bracket can tightly fix the lamp to any desired angle, making the lamp resist to harsh vibration.
- It is made using aluminum housing, all exposed fasteners adopt 304 stainless steel. Using high-tech anti-corrosion surface treatment technology, suitable for hazardous working areas.
- Windward area is only 30% of the traditional lamp, suitable for high-altitude winds area.
- Intelligent control functions can be realized.

Main Specification

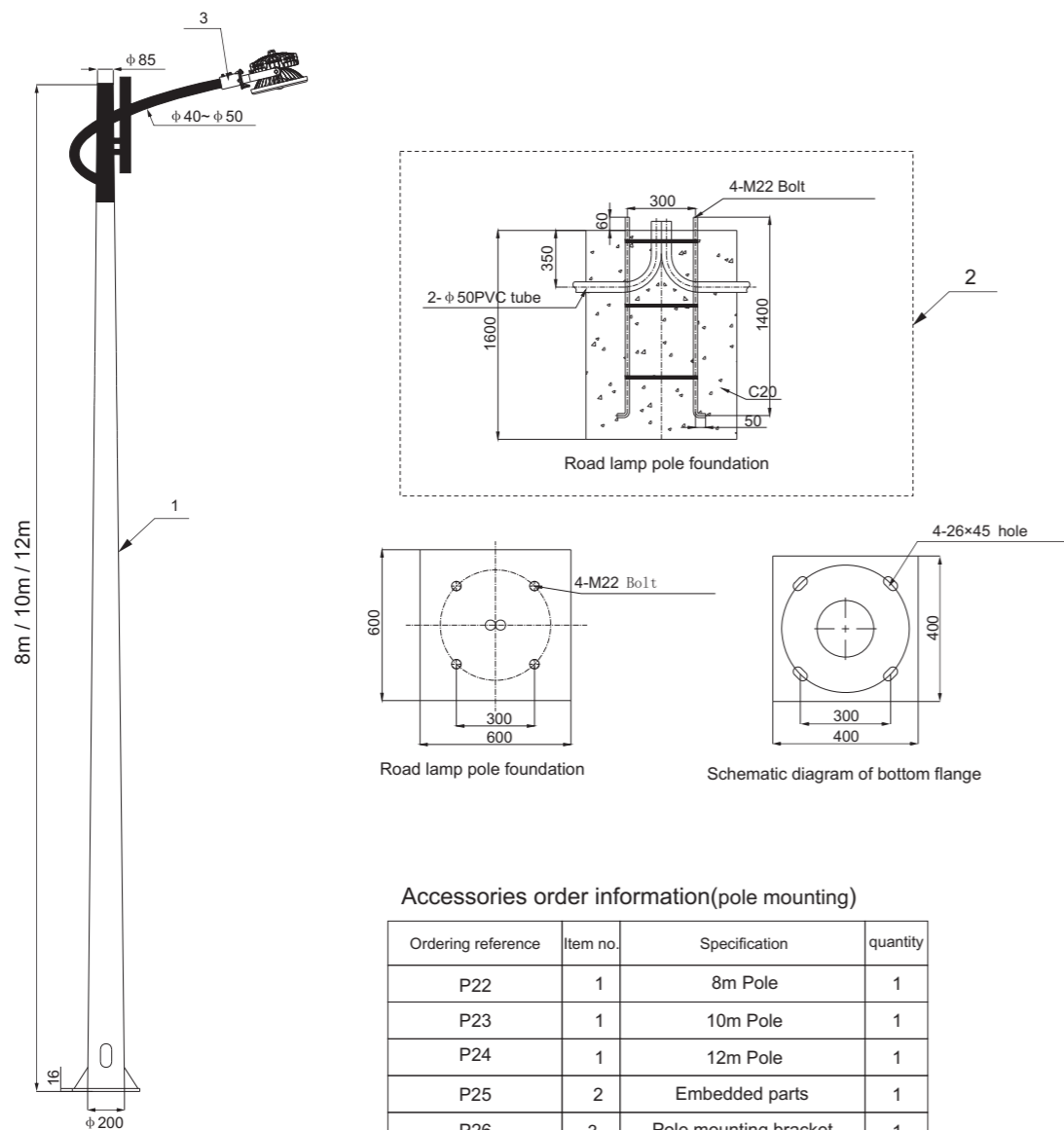
| Item | Technical Parameters |
|-------------------------|-----------------------------------|
| Input voltage range (V) | 90~305VAC |
| Rated frequency | 50Hz / 60Hz |
| Light source | LED |
| Life time (h) | 50,000 |
| CRI (Ra) | 70 (80 optional) |
| CCT | 5000K(3000K/4000K optional) |
| Cable entry | M20, M25, G3/4", NPT1/2", NPT3/4" |
| Dimension (mm) | φ 300×202 |
| Net weight (kg) | 6.3 |



Ordering Reference

| Ordering reference | Rated Wattage (W) | Light output (lm) | Space height ratio | Mounting height (m) | Equivalent to |
|--------------------|-------------------|-------------------|--------------------|---------------------|---------------|
| | | | | | MH |
| BC9700-L60 | 60W | 6600 | 1.75 | 6~8m | 150W |
| BC9700-L80 | 80W | 8400 | | 8~10m | 175W |
| BC9700-L100 | 100W | 11000 | | | 250W |
| BC9700-L120 | 120W | 12600 | | | 250~400W |
| BC9700-L150 | 150W | 16000 | | | 400W |
| BC9700-L200 | 200W | 22000 | | | 400~600W |

Drawing of dimension (Dimensions in mm)



Accessories order information(pole mounting)

| Ordering reference | Item no. | Specification | quantity |
|--------------------|----------|-----------------------|----------|
| P22 | 1 | 8m Pole | 1 |
| P23 | 1 | 10m Pole | 1 |
| P24 | 1 | 12m Pole | 1 |
| P25 | 2 | Embedded parts | 1 |
| P26 | 3 | Pole mounting bracket | 1 |

Single arm installation (post purchase)



Ex marking: Ex db IIC T3/T4 Gb
Ex tb IIIC T195°C/T130°C Db

Characteristics

- A full range of high conductivity material accelerate convection cooling structure, effective guarantee long-term use in high temperature environments.
- Variety of light distribution, variety of installation types, an effective solution to beautify workshop and device platform.
- It adopts imported light source, no dark spot, energy-saving is 60% more than Metal Halide Lamp.
- AC-DC wide voltage driver, power factor above 0.98.
- The rapid replacement of power without welding can be realized.
- The adjustable locking device on the bracket can tightly fix the lamp to any desired angle, making the lamp resist to harsh vibration.
- It is made using aluminum housing, all exposed fasteners adopt 304 stainless steel. Using high-tech anti-corrosion surface treatment technology, suitable for hazardous working areas.
- Windward area is only 30% of the traditional lamp, suitable for high-altitude winds area.
- Intelligent control functions can be realized.

Application

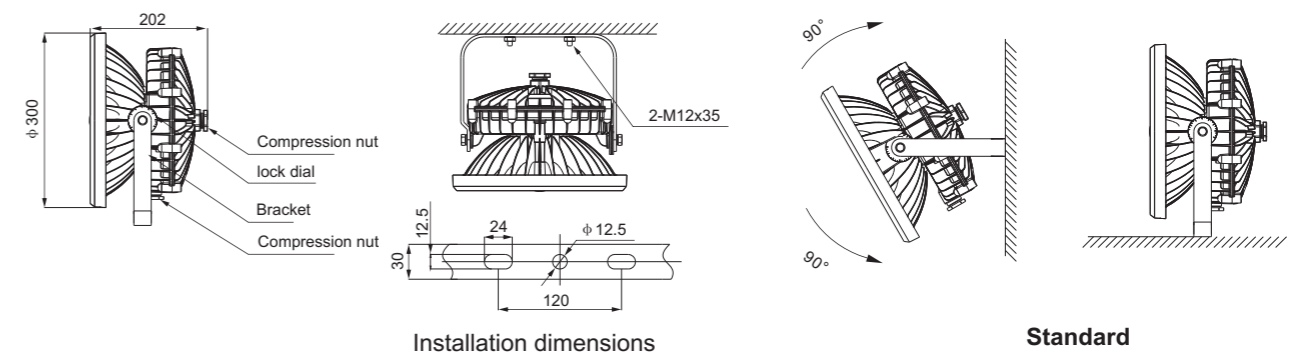
- Zone 1, zone 2; zone 21, zone 22
- Suitable for Low installation height in Moist corrosive environment, such as offshore drilling platform, Oil Terminal, etc.
- Ideal to be used in the environment of flammable gas, steam and dust environment, such as Petrochemical Plant, Chemical Plant, Coal Washery, Pharmaceutical Factory, etc.
- Areas for high demand of high temperature performance.



Main Specification

| Item | Technical Parameters |
|-------------------------|-----------------------------------|
| Input voltage range (V) | 90~305VAC |
| Rated frequency | 50Hz / 60Hz |
| Light source | LED |
| Life time (h) | 50,000 |
| CRI (Ra) | 70 (80 optional) |
| CCT | 5000K(3000K/4000K optional) |
| Cable Entry | M20, M25, G3/4", NPT1/2", NPT3/4" |
| Dimension (mm) | $\phi 300 \times 202$ |
| Net weight (kg) | 6.3 |

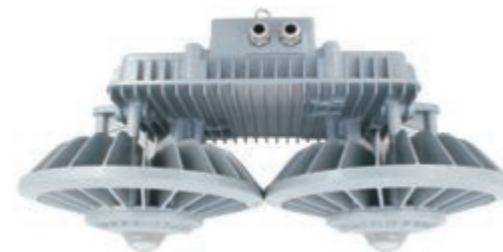
Drawing of dimension (Dimensions in mm)



Ordering Reference

| Ordering reference | Picture | Rated Wattage (W) | Light output (lm) | Space height ratio | Mounting height (m) | Light distribution Curve(1000cd/lm) | Equivalent to MH |
|----------------------|---------|-------------------|-------------------|--------------------|---------------------|-------------------------------------|------------------|
| BC9700-L60-40° | | 60W | 6600 | 0.7 | 8~12m | | 150W |
| BC9700-L80-40° | | 80W | 8600 | | | | 175W |
| BC9700-L100-40° | | 100W | 11200 | | | | 250W |
| BC9700-L120-40° | | 120W | 12900 | | | | >250W |
| BC9700-L150-40° | | 150W | 15600 | | | | 400W |
| BC9700-L180-40° | | 180W | 16800 | | | | >400W |
| BC9700-L60-60° | | 60W | 6600 | 0.9 | 8~12m | | 150W |
| BC9700-L80-60° | | 80W | 8600 | | | | 175W |
| BC9700-L100-60° | | 100W | 11200 | | | | 250W |
| BC9700-L120-60° | | 120W | 12900 | | | | >250W |
| BC9700-L150-60° | | 150W | 15500 | | | | 400W |
| BC9700-L200-60° | | 200W | 21900 | | | | >400W |
| BC9700-L60-80° | | 60W | 6800 | 1.35 | 8~12m | | 150W |
| BC9700-L80-80° | | 80W | 8800 | | | | 175W |
| BC9700-L100-80° | | 100W | 11500 | | | | 250W |
| BC9700-L120-80° | | 120W | 13200 | | | | >250W |
| BC9700-L150-80° | | 150W | 15900 | | | | 400W |
| BC9700-L200-80° | | 200W | 22300 | | | | >400W |
| BC9700-L60-100° | | 60W | 6800 | 1.4 | 8~12m | | 150W |
| BC9700-L80-100° | | 80W | 8900 | | | | 175W |
| BC9700-L100-100° | | 100W | 11600 | | | | 250W |
| BC9700-L120-100° | | 120W | 13400 | | | | >250W |
| BC9700-L150-100° | | 150W | 16100 | | | | 400W |
| BC9700-L200-100° | | 200W | 22700 | | | | >400W |
| BC9700-L60-60°x80° | | 60W | 6800 | 1.25 | 8~12m | | 150W |
| BC9700-L80-60°x80° | | 80W | 9000 | | | | 175W |
| BC9700-L100-60°x80° | | 100W | 11800 | | | | 250W |
| BC9700-L120-60°x80° | | 120W | 13600 | | | | >250W |
| BC9700-L150-60°x80° | | 150W | 16400 | | | | 400W |
| BC9700-L200-60°x80° | | 200W | 22100 | | | | >400W |
| BC9700-L60-90°x110° | | 60W | 6600 | 1.75 | 8~12m | | 150W |
| BC9700-L80-90°x110° | | 80W | 8400 | | | | 175W |
| BC9700-L100-90°x110° | | 100W | 11000 | | | | 250W |
| BC9700-L120-90°x110° | | 120W | 12600 | | | | >250W |
| BC9700-L150-90°x110° | | 150W | 15200 | | | | 400W |
| BC9700-L200-90°x110° | | 200W | 20900 | | | | >400W |

Ex
IP
66
Ta
40/55
Ta
-50



Ex marking: Ex nR IIC T3/T4 Gc
Ex tD A21 IP66 T195°C/T130°C

Application

- Ideal to be used in the oilfield, chemical industry, offshore drilling platform, steel industry, petroleum etc.



Ordering reference

| Model Number | Picture | Rated wattage (W) | Light output (lm) | Space height ratio | Mounting height (m) | Light distribution Curve(1000cd/lm) | Equivalent to MH |
|------------------|---------|-------------------|-------------------|--------------------|---------------------|-------------------------------------|------------------|
| BC9309P-L300-18° | | 300W | 28800 | 0.4 | 25-45m | | 600W |
| BC9309P-L400-25° | | 400W | 40600 | | | | 1000W |
| BC9309P-L480-25° | | 480W | 47400 | | | | >1000W |

Characteristics

- Super power, maximum power up to 480W, can replace more than 1000W metal halide lamps and sodium lamps.
- Housing made of special aluminum processing, hardware and brackets adopt 304 stainless steel, using high-tech anti-corrosion surface treatment technology, can be long-term suitable for seaside, chlor-alkali, hydrogen sulfide and other highly corrosive areas.
- Superconducting aluminum comprehensive self-loop thermal design, long-term suitable for operating environment with high temperature and high humidity. Upper and lower ventilation fin structure, no dust.
- Variety of light distribution, variety of installation types, same shape, an effective solution to beautify workshop and device platform.
- It adopts Imported light source, no dark zone in light spot, no ghosting, can save 60% or more on energy than the metal halide lamp. AC and DC wide voltage constant power supply, power factor above 0.98.
- It can quickly replace the light source without welding.
- Independent wiring chamber, safe and convenient for installation and maintenance.
- According to user needs, can choose light fixtures with a variety of intelligent control.

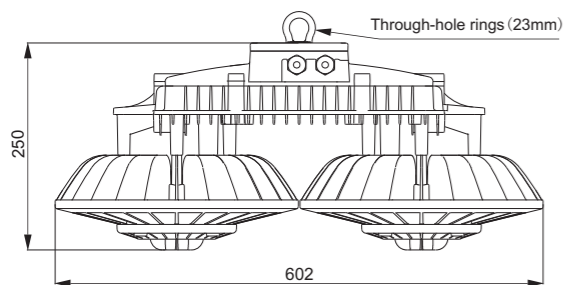
Main Specification

| Item | Technical Parameters |
|---------------------------|-----------------------------|
| Input voltage range (V) | 100~277VAC |
| Rated frequency | 50Hz / 60Hz |
| Light source | LED |
| Life time (h) | 50,000 |
| CRI | Ra 70 (80 optional) |
| CCT | 5000K(3000K/4000K optional) |
| Leading-in cable diameter | φ 8mm~φ 12mm |
| Dimension (mm) | 602×300×250 |
| Net Weight (kg) | 11.2 |

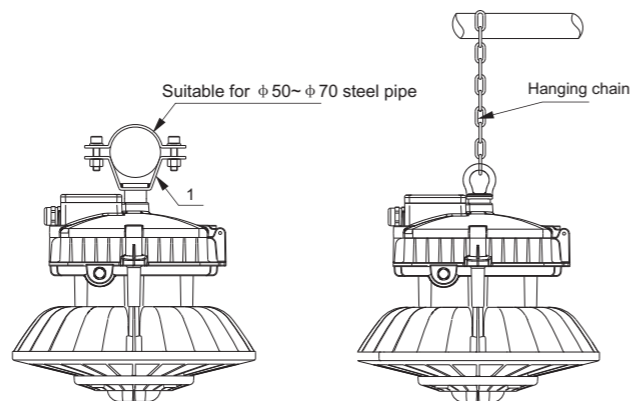
Ordering reference

| Model Number | Picture | Rated wattage (W) | Light output (lm) | Space height ratio | Mounting height (m) | Light distribution Curve(1000cd/lm) | Equivalent to MH |
|------------------|---------|-------------------|-------------------|--------------------|---------------------|-------------------------------------|------------------|
| BC9309P-L240-40° | | 240W | 25800 | 0.7 | 15-30m | | 600W |
| BC9309P-L300-40° | | 300W | 32800 | | | | 1000W |
| BC9309P-L360-40° | | 360W | 37800 | | | | >1000W |
| BC9309P-L240-60° | | 240W | 25500 | 0.9 | 15-30m | | 600W |
| BC9309P-L300-60° | | 300W | 32400 | | | | 1000W |
| BC9309P-L400-60° | | 400W | 45200 | | | | >1000W |
| BC9309P-L480-60° | | 480W | 55300 | | | | / |
| BC9309P-L240-80° | | 240W | 26000 | 1.35 | 15-30m | | 600W |
| BC9309P-L300-80° | | 300W | 33100 | | | | 1000W |
| BC9309P-L400-80° | | 400W | 46200 | | | | >1000W |
| BC9309P-L480-80° | | 480W | 56500 | | | | / |

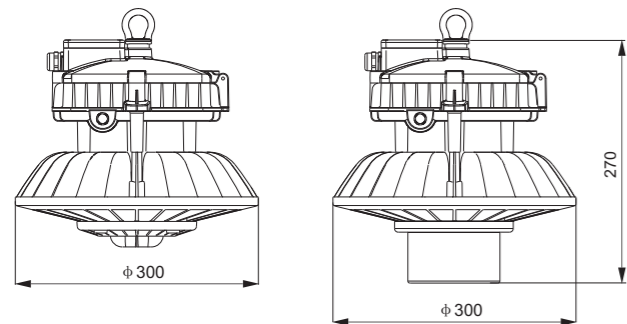
Drawing of dimension (Dimensions in mm)



Ring mounting (Standard)



Hold hoop mounting Hanging chain mounting



Accessories Ordering Information (optional)

| Model No. | Number | Specifications Model | Quantity | Remark |
|-----------|--------|----------------------|----------|--|
| P14 | 1 | Hold hoop bracket | 1 | Suitable for ϕ 50~ ϕ 70 steel pipe |

Ex
IP
66
Ta
40/55
Ta
-50



Ex marking: Ex nR IIC T3/T4 Gc
Ex tD A21 IP66 T195°C/T130°C

Application

- Ideal to be used in the oilfield, chemical industry, offshore drilling platform, steel industry, petroleum etc.

Characteristics

- Super power, maximum power up to 480W, can replace more than 1000W metal halide lamps and sodium lamps.
- Housing made of special aluminum processing, hardware and brackets adopt 304 stainless steel, using high-tech anti-corrosion surface treatment technology, can be long-term suitable for seaside, chlor-alkali, hydrogen sulfide and other highly corrosive areas.
- Superconducting aluminum comprehensive self-loop thermal design, long-term suitable for operating environment with high temperature and high humidity. Upper and lower ventilation fin structure, no dust.
- Variety of light distribution, variety of installation types, same shape, an effective solution to beautify workshop and device platform.
- It adopts Imported light source, no dark zone in light spot, no ghosting, can save 60% or more on energy than the metal halide lamp.
- AC and DC wide voltage constant power supply, power factor above 0.98.
- It can quickly replace the light source without welding.
- Independent wiring chamber, safe and convenient for installation and maintenance.
- According to user needs, can choose light fixtures with a variety of intelligent control.

Main Specification

| Item | Technical Parameters |
|---------------------------|-----------------------------|
| Input voltage range (V) | 100~277VAC |
| Rated frequency | 50Hz / 60Hz |
| Light source | LED |
| Life time (h) | 50,000 |
| CRI | Ra 70 (80 optional) |
| CCT | 5000K(3000K/4000K optional) |
| Leading-in cable diameter | ϕ 8mm~ ϕ 12mm |
| Dimension (mm) | 602×250×340 |
| Net Weight (kg) | 13 |



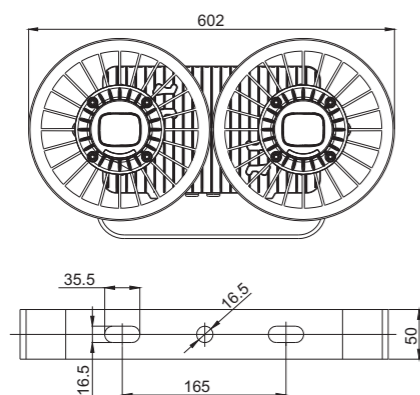
Ordering reference

| Model Number | Picture | Rated wattage (W) | Light output (lm) | Space height ratio | Mounting height | Light distribution Curve(1000cd/lm) | Equivalent to MH |
|------------------------|---------|-------------------|-------------------|--------------------|-----------------|-------------------------------------|------------------|
| BC9309S□ -L240-60°×80° | | 240W | 27200 | 1.35 | 15~25m | | 600W |
| BC9309S□ -L300-60°×80° | | 300W | 34600 | | | | 1000W |
| BC9309S□ -L400-60°×80° | | 400W | 46600 | | | | >1000W |
| BC9309S□ -L480-60°×80° | | 480W | 53400 | | | | / |

| Model Number | Picture | Rated wattage (W) | Light output (lm) | Space height ratio | Mounting height (m) | Light distribution Curve(1000cd/lm) | Equivalent to |
|-------------------------|---------|-------------------|-------------------|--------------------|---------------------|-------------------------------------|---------------|
| | | | | | | | MH |
| ZY8605S□ -L240-90°×110° | | 240W | 25200 | 1.4 | 15~20m | | 600W |
| ZY8605S□ -L300-90°×110° | | 300W | 32000 | | | | 1000W |
| ZY8605S□ -L400-90°×110° | | 400W | 44000 | | | | >1000W |
| ZY8605S□ -L480-90°×110° | | 480W | 50600 | | | | / |

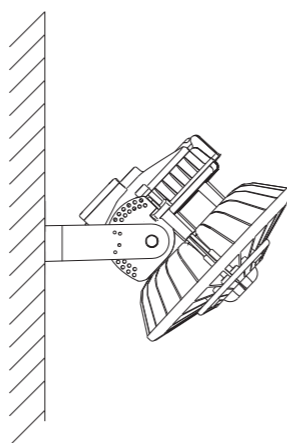
Note 1: the above model with light for the recommended distribution, but also according to the actual need to choose other light distribution.
 Note 2: order number "□" according to the actual installation needs fill in 1 or 2, S1 straight stent, S2 angle bracket.

Drawing of dimension (Dimensions in mm)



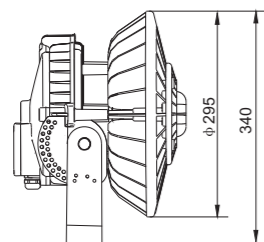
Installation Dimension

Side wall mounting



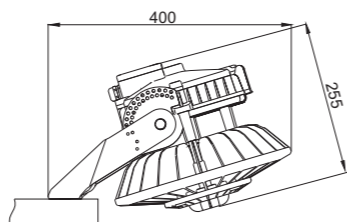
BC9309S1

Seat mountingS1



BC9309S1

Seat mountingS2



BC9309S2



Ex marking: Ex nR IIC T3/T4 Gc
 Ex tDA21 IP66 T195°C/T130°C

Characteristics

- Super power, maximum power up to 480W, can replace more than 1000W metal halide lamps and sodium lamps.
- Housing made of special aluminum processing, hardware and brackets adopt 304 stainless steel, using high-tech anti-corrosion surface treatment technology, can be long-term suitable for seaside, chlor-alkali, hydrogen sulfide and other highly corrosive areas.
- Superconducting aluminum comprehensive self-loop thermal design, long-term suitable for operating environment with high temperature and high humidity. Upper and lower ventilation fin structure, no dust.
- Variety of light distribution, variety of installation types, same shape, an effective solution to beautify workshop and device platform.
- It adopts Imported light source, no dark zone in light spot, no ghosting, can save 60% or more on energy than the metal halide lamp.
- AC and DC wide voltage constant power supply, power factor above 0.98.
- It can quickly replace the light source without welding.
- Independent wiring chamber, safe and convenient for installation and maintenance.
- According to user needs, can choose light fixtures with a variety of intelligent control.

Application

- Ideal to be used in the oilfield, chemical industry, offshore drilling platform, steel industry, petroleum etc.



Main Specification

| Item | Technical Parameters |
|---------------------------|-----------------------------|
| Input voltage range (V) | 100~277VAC |
| Rated frequency | 50Hz / 60Hz |
| Light source | LED |
| Life time (h) | 50,000 |
| CRI | Ra 70 (80 optional) |
| CCT | 5000K(3000K/4000K optional) |
| Leading-in cable diameter | φ 8mm~ φ 12mm |
| Dimension (mm) | 602×270×340 |
| Net Weight (kg) | 13.5 |

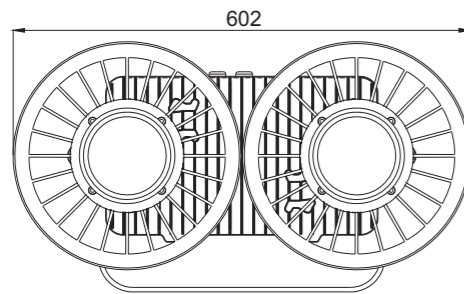


Ordering reference

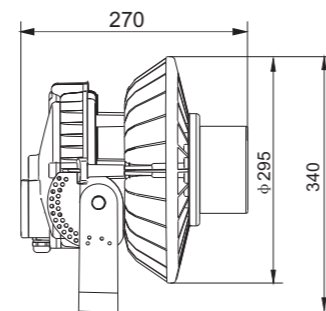
| Model Number | Picture | Rated wattage (W) | Light output (lm) | Light distribution Curve(1000cd/lm) | Equivalent to MH |
|--------------------|---------|-------------------|-------------------|-------------------------------------|------------------|
| BC9309S□ -L240-18° | | 240W | 23000 | | 600W |
| BC9309S□ -L300-18° | | 300W | 29200 | | 600W-1000W |
| BC9309S□ -L400-25° | | 400W | 40600 | | 1000W |
| BC9309S□ -L480-25° | | 480W | 47000 | | > 1000W |

Note : order number "□" according to the actual installation needs fill in 1 or 2, S1 straight stent, S2 angle bracket.

Drawing of dimension (Dimensions in mm)

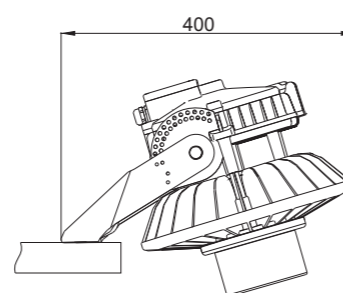


Seat mountingS1

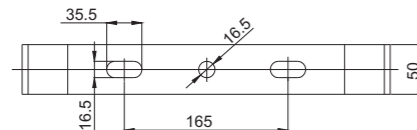


BC9309S1

Seat mountingS2



BC9309S2



Installation Dimension

Ex

IP 65

Ta 40

Ta -20



Ex marking: Ex de IIB T4/T6 Gb

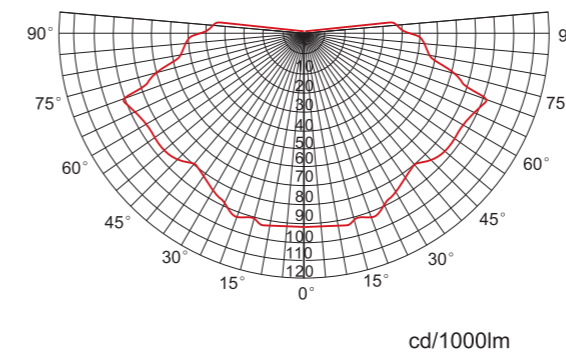
Application

- Ideal to be used in the environment of flammable gas and steam environment, such as Petrochemical Plant Chemical Plant Coal Washery, Pharmaceutical Factory, etc.
- Zone 1,zone 2.

Characteristics

- Equipped with international famous brand light source and electrical appliance, more stable performance and gives approximately 20% more light over the other manufacturer's.
- The average life span of the light source is more than 10000 hours. Therefore it is low maintenance .
- Two Explosion-proof cavities structure. The wiring cavity is separated from the main flameproof cavity, enhancing safety.
- Made of aluminium alloy, high strength. The spray coating treatment ensure the lamp waterproof, anti corrosion.

Light Distribution Curve



Main Specification

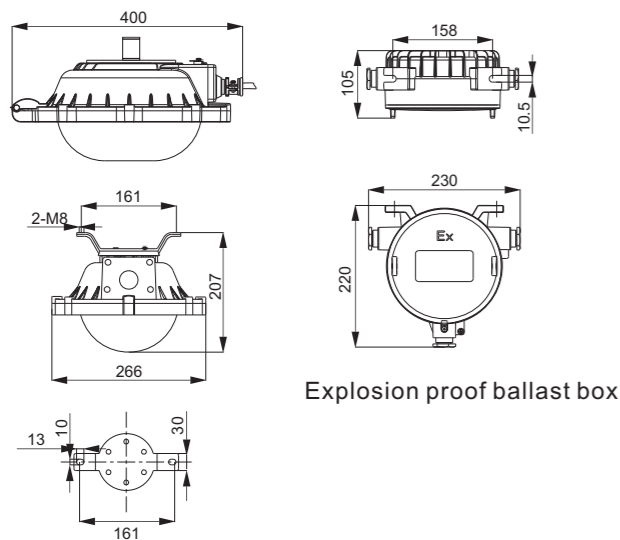
| Item | Technical Parameters |
|---------------------------|----------------------|
| Input voltage range (V) | 220VAC |
| Rated frequency | 50Hz |
| Light source | MH Mercury |
| Life time (h) | 10,000 |
| Cable entry | G3/4" |
| Leading-in cable diameter | φ 9mm~ φ 10mm |
| Dimension (mm) | Lamp 400×266×207 |
| | Ballast 230×220×105 |
| Net weight (kg) | Lamp5 |
| | Ballast3.8 |



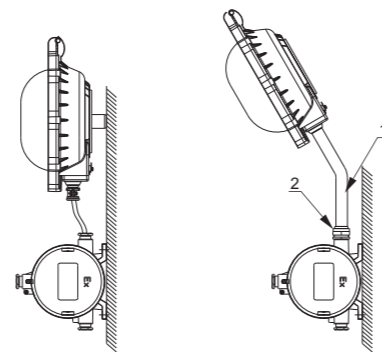
Ordering reference

| Ordering reference | Rated Wattage (W) | Light output (lm) | Space height ratio | Mounting height (m) | Temperature |
|--------------------|-------------------|-------------------|--------------------|---------------------|-------------|
| BC9100-J70 | 70W | 4725 | 2.6 | 2~4m | T6 |
| BC9100-J100 | 100W | 6750 | | 3~5m | T4 |
| BC9100-J150 | 150W | 10500 | | 4~6m | T4 |

Drawing of dimension (Dimensions in mm)



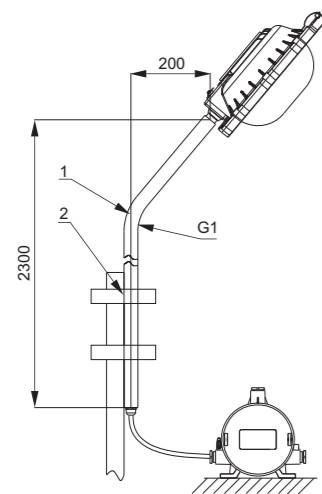
Ceiling mounting (standard)



Wall mounting (optional)

Accessories order information(Wall mounting 150deg)

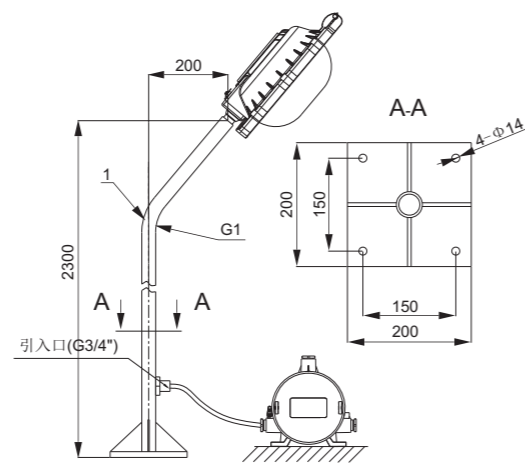
| Ordering reference | Item no. | Specification | quantity |
|--------------------|----------|-----------------------------------|----------|
| P08 | 1 | G3/4" bend pipe 150° | 1 |
| P09 | 2 | Adapter G3/4" (internal-external) | 1 |



Guardrail mounting

Accessories order information(Guardrail mounting)

| Ordering reference | Item no. | Specification | quantity |
|--------------------|----------|---------------|----------|
| P05 | 1 | Fence pole | 1 |
| | 2 | U type bolts | 2 |



Flange mounting

Accessories order information(Flange mounting)

| Ordering reference | Item no. | Specification | quantity |
|--------------------|----------|---------------|----------|
| P06 | 1 | Flange pole | 1 |

Ex

IP 65

Ta 40

Ta -20



Ex marking: Ex d IIC T4 Gb

Application

- Ideal to be used in the environment of flammable gas and steam environment, such as Drilling platform, Petrochemical Plant, Chemical Plant, Pharmaceutical Factory, etc.
- Zone1, zone2.

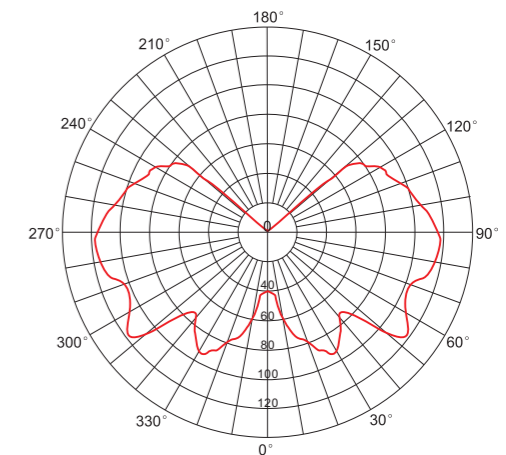
Characteristics

- Equipped with international famous brand light source and electrical appliance, more stable performance and gives approximately 20% more light over the other manufacturer's.
- It uses dual-cavity explosion-proof design, making it safe to be used in explosive and flammable places.
- Made of aluminium alloy, high strength. The spray coating treatment ensure the lamp waterproof, anti corrosion.
- The protective guard is available.

Main Specification

| Item | Technical Parameters |
|---------------------------|----------------------|
| Input voltage range (V) | 220VAC |
| Rated frequency | 50Hz |
| Light source | MH Mercury |
| Life time (h) | 10,000 |
| Leading-in cable diameter | φ 9mm~ φ 14mm |
| Cable entry | G3/4" |
| Dimension (mm) | Lamp φ 200×315 |
| | Ballast 230×220×105 |
| Net weight (kg) | Lamp 5.2 |
| | Ballast 3.8 |

Light distribution curve

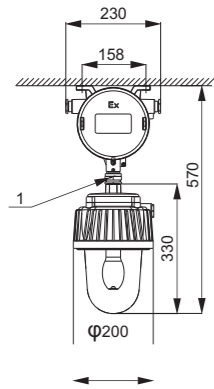


Ordering Reference

| Ordering reference | Rated Wattage (W) | Light output (lm) | Space height ratio | Mounting height (m) |
|--------------------|-------------------|-------------------|--------------------|---------------------|
| BC9300-J70 | 70W | 4725 | 1.75 | 2~6m |
| BC9300-J100 | 100W | 6750 | | |
| BC9300-J150 | 150W | 10500 | | |

Drawing of dimension (Dimensions in mm)

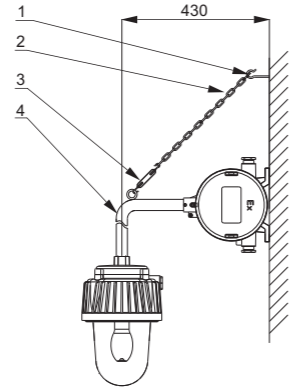
Ceiling Mounting (optional)



Accessories order information(Ceiling Mounting)

| Ordering reference | Item no. | Specification | quantity |
|--------------------|----------|----------------------------|----------|
| P09 | 1 | G3/4" internal to external | 1 |

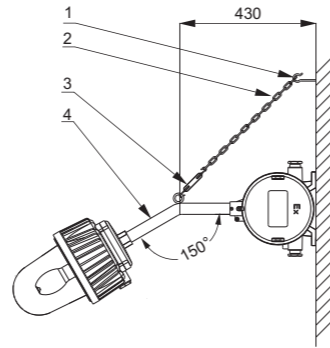
Side wall mounting 90°



Accessories order information(Wall mounting 90deg)

| Ordering reference | Item no. | Specification | quantity |
|--------------------|----------|----------------------|----------|
| P04 | 1 | Expansion screw hook | 1 |
| | 2 | Chain | 1 |
| | 3 | C-C turn buckle | 1 |
| | 4 | G3/4" bend pipe 90° | 1 |

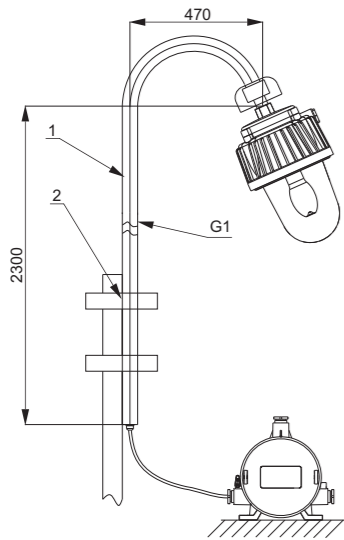
Side wall mounting 150°



Accessories order information(Wall mounting 150deg)

| Ordering reference | Item no. | Specification | quantity |
|--------------------|----------|----------------------|----------|
| P03 | 1 | Expansion screw hook | 1 |
| | 2 | Chain | 1 |
| | 3 | C-C turn buckle | 1 |
| | 4 | G3/4" bend pipe 150° | 1 |

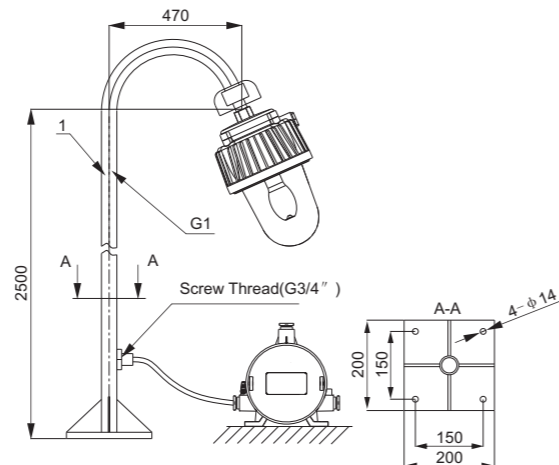
Guardrail mounting



Accessories order information(Guardrail mounting)

| Ordering reference | Item no. | Specification | quantity |
|--------------------|----------|---------------|----------|
| P05 | 1 | Fence pole | 1 |
| | 2 | U type bolts | 2 |

Flange mounting



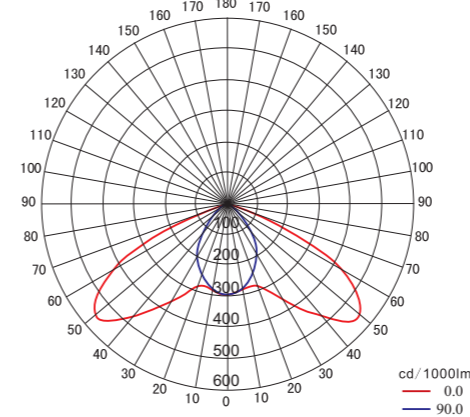
Accessories order information(Flange mounting)

| Ordering reference | Item no. | Specification | quantity |
|--------------------|----------|---------------|----------|
| P06 | 1 | Flange pole | 1 |



Ex marking: Ex d I Mb

Light distribution curve



Application

- Approved for safe use in the explosive environment under the coal mine where the methane and the explosive dust exist.
- It is the idea lighting solution for the underground tunnel in the underground chamber in the mining field.

Characteristics

- Its reflector is specially designed for the tunnel. At the height of 3.5meters, 24W can reach 35Lux, 48W can reach 80Lux. The Light distribution distance is more than 15meters. It can save 65% on energy than the metal halide lamp.
- It adopts American CREE LED as light source, service life reach 100,000 hours
- Equipment with world famous brand electrical appliance, has a highly stable performance.
- The LED is seamless connected to the heat sink, which help to heat dissipating, ensured the LED'S life span.
- Supplied with stainless chain which have hooks on the end and the chain's length is adjustable.
- The anti corrosion, abrasion proof, power coated cover which is dust proof, water proof , make the lamp an excellent option for all kinds of high stress environment.

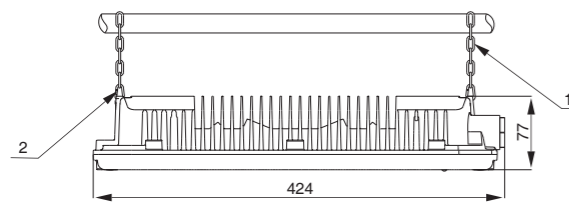
Main Specification

| Item | Technical Parameters |
|---------------------------|----------------------|
| Input voltage range (V) | 90-264VAC |
| Rated frequency | 50Hz / 60Hz |
| Light source | LED |
| Life time (h) | 100,000 |
| CRI (Ra) | 75 |
| CCT | 4250K ±250K |
| Cable entry | G3/4" |
| Leading-in cable diameter | φ 9mm~ φ 14mm |
| Dimension (mm) | 424×177×77 |
| Net weight (kg) | 4.1 |

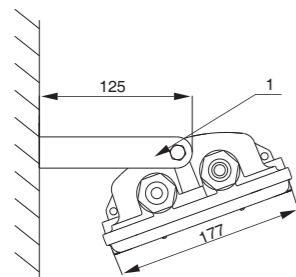
Ordering Reference

| Ordering reference | Rated wattage (W) | Light output (lm) | Space height ratio | Mounting height (m) | Equivalent to |
|--------------------|-------------------|-------------------|--------------------|---------------------|---------------|
| | | | | | MH |
| DGS10/127L(A) | 10W | 950 | 2.4 | 3~6m | / |
| DGS24/127L(A) | 24W | 2000 | | | 70W |
| DGS35/127L(A) | 35W | 3200 | | | 100W |
| DGS48/127L(A) | 48W | 3900 | | | 100W~150W |

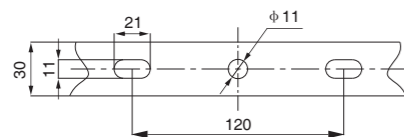
Drawing of dimension (Dimensions in mm)



Chain type mounting(standard)



Side wall mounting (optional)



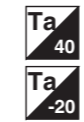
Installation dimension

Accessories order information(Chain type mounting)

| Ordering reference | Item no. | Specification | quantity |
|--------------------|----------|-------------------|----------|
| P010 | 1 | chain | 2 |
| | 2 | Self locking hook | 4 |

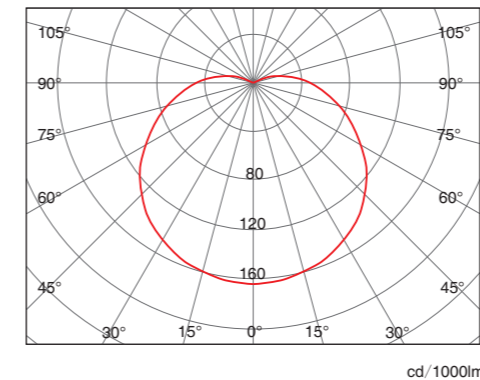
Accessories order information(side wall mounting)

| Ordering reference | Item no. | Specification | quantity |
|--------------------|----------|---------------|----------|
| P011 | 1 | bracket | 1 |



Ex marking: Ex d I Mb

Light Distribution Curve



Application

- Idea to be used in underground tunnel, chamber, substations, pump room, parking lot in the mining filed.
- Approved for safe use in mining field with methane, grime and other hazardous explosive mixtures.



Characteristics

- It is made using a special aluminum housing, all exposed fasteners adopt 304 stainless steel. Using high-tech anti-corrosion surface treatment technology, suitable for long-term highly corrosive environment under coal mine.
- A full range of high conductivity material accelerate convection cooling structure, effective guarantee long-term use in high temperature environments.
- Optoelectronic integrated technology no dark spot, no ghosting, the average light efficiency of whole lamp can reach to 100 lm/W, energy-saving is 60% more than Metal Halide Lamp.
- Universal AC-DC, power factor above 0.98.
- Quick replay light source without welding.
- Independent wiring chamber, safe and easy installation and maintenance.
- Designed for Roadway Layout with ring mounted which can be connected in parallel.

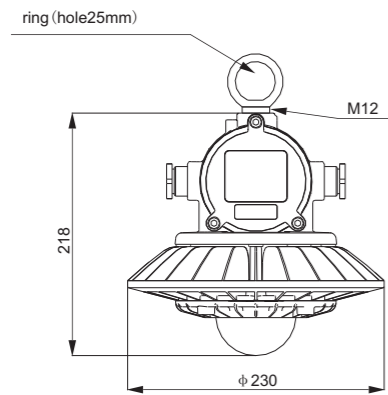
Main Specification

| Item | Technical Parameters |
|---------------------------|-----------------------------|
| Input voltage range (V) | 90-264VAC |
| Rated frequency | 50Hz / 60Hz |
| Light source | LED |
| Life time (h) | 50,000 |
| CRI (Ra) | 70 (80 optional) |
| CCT | 5000K(3000K/4000K optional) |
| Cable entry | G3/4" |
| Leading-in cable diameter | φ 9mm~ φ 14mm |
| Dimension (mm) | φ 230×218(Ring Mounting) |
| | 218×230×268(Bracket) |
| Net weight (kg) | 2.7(Ring Mounting) |
| | 3.2(Bracket) |

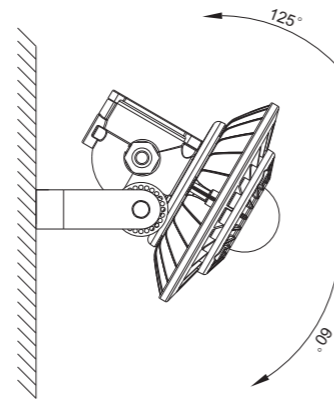
Ordering Reference

| Ordering reference | Picture | Rated wattage (W) | Light output (lm) | Mounting Type | Space height ratio | Mounting height (m) | Equivalent to |
|--------------------|---|-------------------|-------------------|---------------|--------------------|---------------------|---------------|
| | | | | | | | MH |
| DGS20/127L(C)-P |  | 20W | 1800 | Ring | 1.75 | 2~6m | 50W |
| DGS30/127L(C)-P | | 30W | 2600 | | | | 70W |
| DGS45/127L(C)-P | | 45W | 3400 | | | | 100W |
| DGS20/127L(C)-S |  | 20W | 1800 | Bracket | 1.75 | 2~6m | 50W |
| DGS30/127L(C)-S | | 30W | 2600 | | | | 70W |
| DGS45/127L(C)-S | | 45W | 3400 | | | | 100W |

Drawing of dimension (Dimensions in mm)



Ring Mounting (Standard)

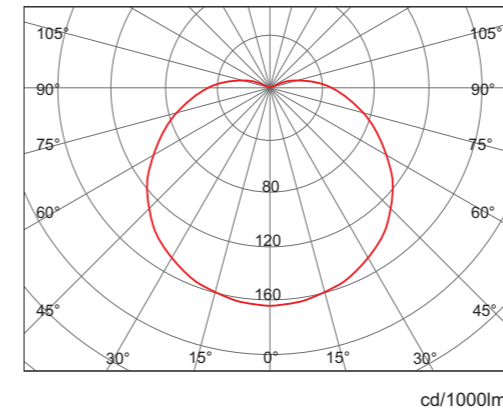


Wall Mounting (bracket)



Ex marking: Ex d I Mb

Light Distribution Curve



Application

- Widely used for Mining work.
- Approved for safe in Tunnel with other hazardous explosive mixture of methane gas.

Characteristics

- Specially designed for mining working surface, which is made into 304 stainless steel.
- A full range of high conductivity material accelerate convection cooling structure, effective guarantee long-term use in high temperature environments.
- Optoelectronic integrated technology, no dark spot, no ghosting, the average light efficiency of whole lamp can reach to 100 lm/W, energy-saving is 60% more than Metal Halide Lamp.
- Universal AC-DC, power factor above 0.98.
- Quick replay light source without welding.
- Independent wiring chamber, safe and easy installation and maintenance.
- Designed for Roadway Layout with ring mounted which can be connected in parallel.

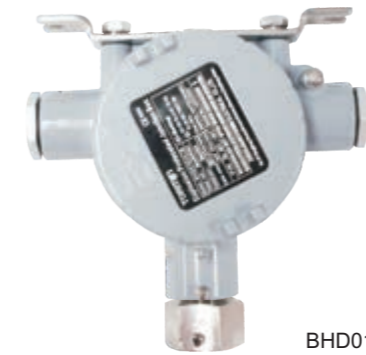
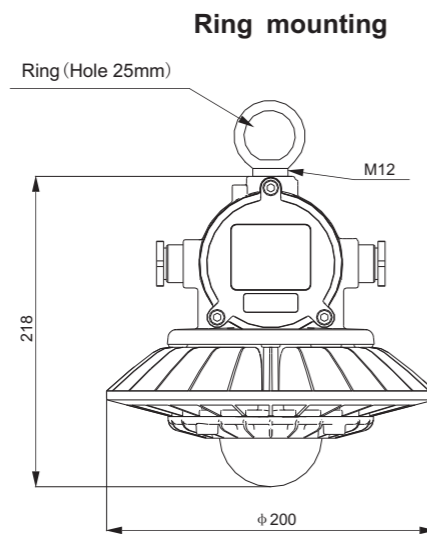
Main Specification

| Item | Technical Parameters |
|---------------------------|-----------------------------|
| Input voltage range (V) | 90-264VAC |
| Rated frequency | 50Hz / 60Hz |
| Light source | LED |
| Life time (h) | 50,000 |
| CRI (Ra) | 70 (80 optional) |
| CCT | 5000K(3000K/4000K optional) |
| Cable entry | G3/4" |
| Leading-in cable diameter | φ 9mm~ φ 14mm |
| Dimension (mm) | φ 200×218 |
| Net weight (kg) | 4.4Kg |

Ordering Reference

| Ordering reference | Rated wattage (W) | Light output (lm) | Space height ratio | Mounting height (m) | Equivalent to |
|--------------------|-------------------|-------------------|--------------------|---------------------|---------------|
| | | | | | MH |
| DGC30/127L(A) | 30W | 2600 | 1.75 | 3~6m | 70W |

Drawing of dimension (Dimensions in mm)



BHD01A

Ex Marking: Ex db IIC T6 Gb
Ex tb IIIC T80°C Db IP66

Application

Used as a junction box and mounting element for lighting equipment installed in explosion hazardous areas, like petrochemical plants, chemical plants, pharmaceutical factory, polishing plant, etc.

Characteristics

- The junction box has the characteristics of small volume, light weight, convenient installation, etc.
- The shell adopts anti-corrosive processing, standard for the 304 stainless steel material, using high-tech surface anti-corrosion treatment technology, applicable to all kinds of bad industrial environment.

Ordering Reference

| Item | Technical Parameters | | |
|-------------------------|-------------------------|--|--|
| | BHD01A | BHD01B | BHD02 |
| Type | BHD01A | BHD01B | BHD02 |
| Picture | | | |
| Input voltage range (V) | ≤500V | | |
| Rated frequency | 50Hz / 60Hz | | |
| Rated current | <20A | | |
| Cord section | 0.75~2.5mm ² | | |
| Cable entry | G3/4" | M25×1.5 or M20×1.5 or NPT3/4" or NPT1/2" | M25×1.5 or M20×1.5 or NPT3/4" or NPT1/2" |
| Dimension (mm) | 185×185×75 | 185×185×75 | 116×116×75 |
| Cable entry quantity | 2 | 2 | 4 |
| Drop cable quantity | 1 | 1 | / |
| Weight (kg) | 1.2 | | 0.8 |

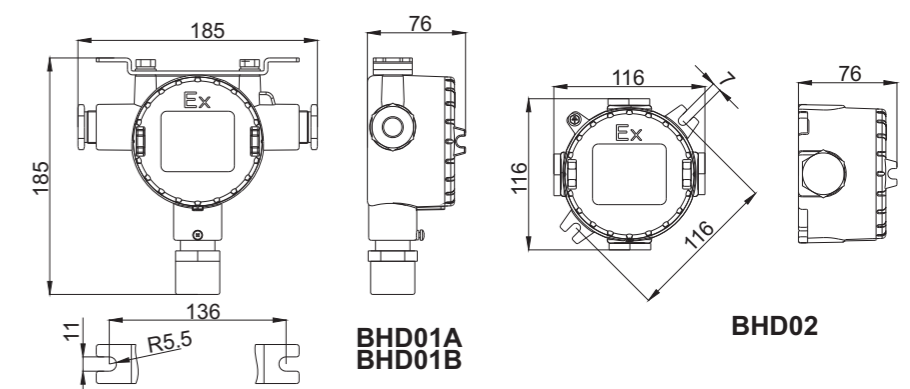
Cable entry



BHD01A



BHD01B/BHD02





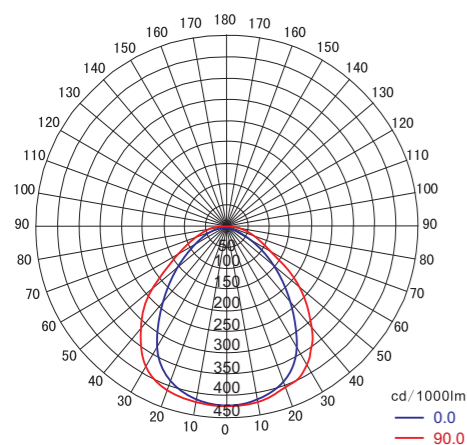
Application

It is an ideal lighting solution for power plants, substations, factories, docks, metallurgical plants and other indoor and outdoor lighting.

Characteristics

- Apply the design of lens with different angles, make irradiation surface wider, fully effective use of light. Illumination uniformity, no glare, does not cause eyestrain of workers, improve work efficiency.
- Radiator adopt fin structure design, light source adopt decentralized layout and separate structure of power, long-term suitable for operating environment with high temperature and high humidity.
- It adopts American CREE LED as light source, no dark zone in light spot, can save 60% or more on energy than the metal halide lamp.
- Equipped with electrical appliance of Meanwell or similar quality power driver AC- DC wide voltage constant power supply, power factor up to 0.98.
- The locking device on the bracket will keep the lamp from shift or trembling during harsh vibration.
- Housing made of aluminum alloy, all exposed fasteners adopt 304 stainless steel., using high-tech anti-corrosion surface treatment technology, suitable for a variety of harsh industrial operating environment.
- According to user needs, achieve a variety of intelligent control.

Light Distribution Curve



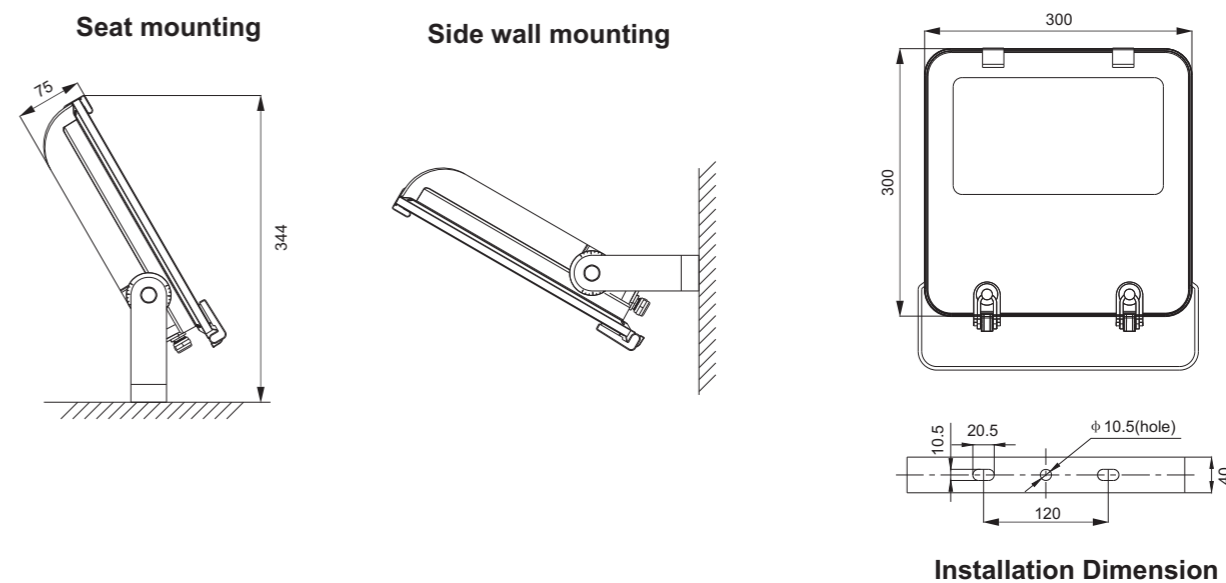
Main Specification

| Item | Technical Parameters |
|---------------------------|----------------------------|
| Input voltage range (V) | 90~305VAC(30~80W) |
| | 18~43VAC; 18~55VDC(25~70W) |
| Rated frequency | 50Hz / 60Hz |
| Light source | LED |
| Life time (h) | 100,000 |
| CRI | Ra 75 |
| CCT | 5000K ±250K |
| Leading-in cable diameter | φ 6mm~ φ 8mm |
| Dimension (mm) | 300×300×75 |
| Net weight (kg) | 4.7 |

Ordering Reference

| Model Number | Input voltage (V) | Rated wattage (W) | Light output (lm) | Space height ratio | Mounting height (m) | Equivalent to Metal Halide Lamp |
|--------------|-----------------------|-------------------|-------------------|--------------------|---------------------|---------------------------------|
| ZY8101-L25 | 90~305VAC | 25W | 2800 | 1.4 | 2~6m | 70W |
| ZY8101-L40 | | 40W | 3800 | | | 100W |
| ZY8101-L60 | | 60W | 5100 | | 3~8m | 150W |
| ZY8101-L80 | | 80W | 7200 | | | 175W |
| ZY8101-L25-D | 18~43VAC; 18~55VDC | 25W | 2800 | 1.4 | 2~6m | 70W |
| ZY8101-L40-D | | 40W | 3800 | | | 100W |
| ZY8101-L60-D | | 60W | 5100 | | 3~8m | 150W |
| ZY8101-L70-D | | 70W | 6150 | | | 150W~175W |

Drawing of dimension (Dimensions in mm)





Characteristics

- Product adopt back transparent module heat sink system, solve the problem of easy deformation of the traditional module and the low air flow rate and low heat radiation, improve work efficiency and service life.
- Modular design could solve the maintenance problem of LED lighting. It can achieve module replacement without opening light fixtures.
- Professional Light distribution design, rectangular spot, can save 60% or more on energy than the metal halide lamp.
- Equipped with electrical appliance of Meanwell or similar quality power driver, power factor up to 0.98.
- The locking device on the bracket will keep the lamp from shift or trembling during harsh vibration.
- Housing made of aluminum alloy, all exposed fasteners adopt 304 stainless steel. Using high-tech anti-corrosion surface treatment technology, suitable for a variety of harsh industrial operating environment.
- According to user needs, achieve a variety of intelligent control.

Application

It is an ideal lighting solution for power plants, substations, factories, docks, metallurgical plants and other indoor and outdoor lighting.



Main Specification

| Item | Technical Parameters | |
|---------------------------|----------------------|----------------|
| Input voltage range (V) | 90~305VAC | |
| Rated Frequency | 50Hz / 60Hz | |
| Life time (h) | 50,000 | |
| CRI | Ra 75 | |
| CCT | 5000K ±250K | |
| Leading-in cable diameter | φ 6mm~ φ 8mm | |
| Dimension (mm) | 80W / 100W / 120W | 322(L)×363×150 |
| | 150W / 180W | 417(L)×363×150 |
| | 240W | 512(L)×363×150 |
| | 300W | 607(L)×363×150 |
| Net Weight (kg) | 80W / 100W / 120W | 5.2 |
| | 150W / 180W | 6.2 |
| | 240W | 7.2 |
| | 300W | 8.2 |

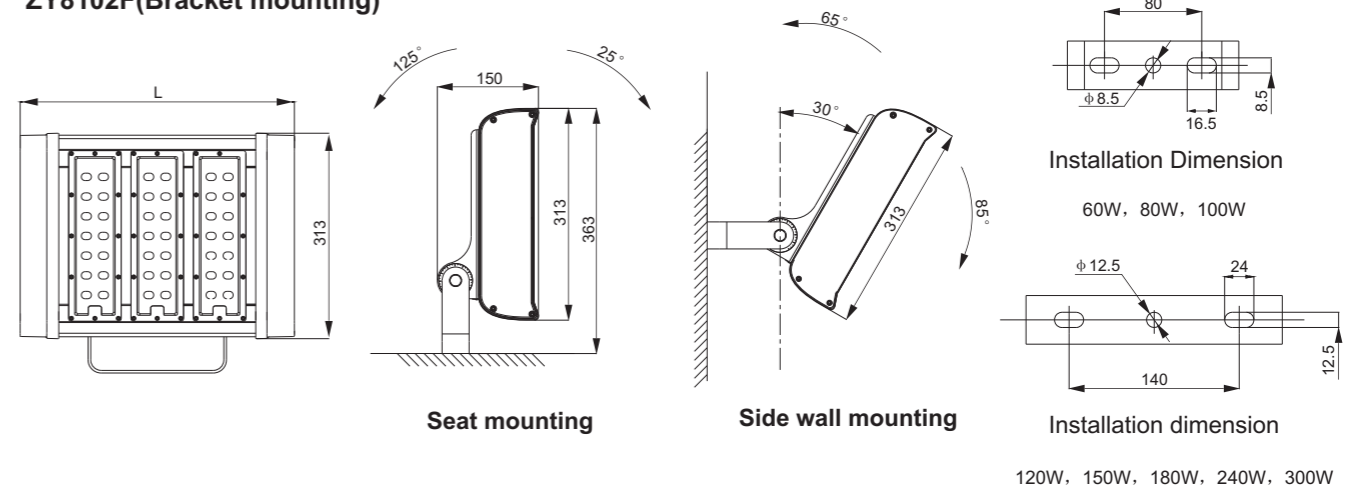
Ordering Reference

| Model Number | Rated Wattage (W) | Light output (lm) | 8102F Light distribution curve (1000cd/lm) | 8102S Light distribution curve (1000cd/lm) | Equivalent to Metal Halide Lamp |
|-----------------------|-------------------|-------------------|---|--|---------------------------------|
| ZY8102□-L80-80°×100° | 80W | 8800 | | | 175W~250W |
| ZY8102□-L100-80°×100° | 100W | 11000 | | | 250W |
| ZY8102□-L120-80°×100° | 120W | 12200 | | | 250W~400W |
| ZY8102□-L150-80°×100° | 150W | 16500 | | | 400W |
| ZY8102□-L180-80°×100° | 180W | 18900 | | | 400W~600W |
| ZY8102□-L240-80°×100° | 240W | 25200 | | | 600W |
| ZY8102□-L300-80°×100° | 300W | 31500 | Space height ratio: 1.4 Mounting height: 4~15m | | 600W~1000W |

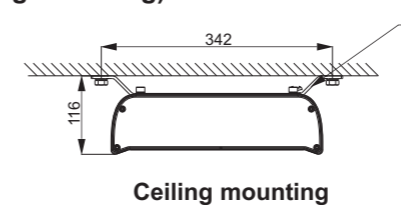
*: Model number "□" According to the actual installation requirements to fill F or S(See installation diagram on the next page), ZY8102S type only applies 180W or less power.

Drawing of dimension (Dimensions in mm)

ZY8102F(Bracket mounting)



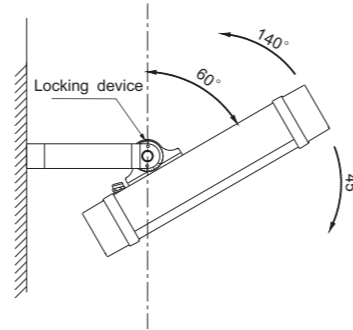
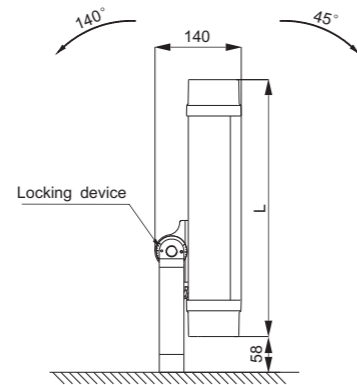
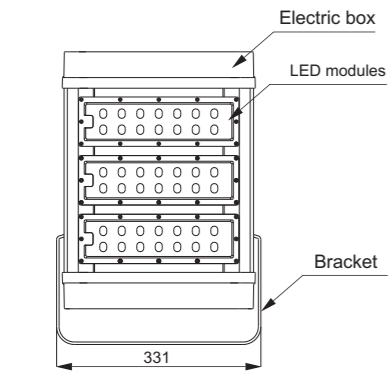
ZY8102X(Ceiling mounting)



Ordering Information (optional)

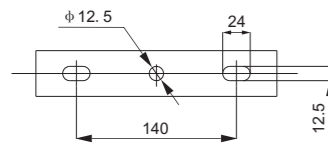
| Model No. | No. | Specifications Model | Quantity |
|-----------|-----|--------------------------|----------|
| P13 | 1 | Ceiling mounting bracket | 2 |

ZY8102S



Seat mounting

Side wall mounting



Installation dimension



Characteristics

- Radiator adopts fin structure design, light source adopt decentralized layout and separate structure of driver box, long-term suitable for operating environment with high temperature and high humidity.
- It adopts American CREE LED as light source, no dark zone in light spot, the entire lighting efficiency average of up to 100lm / W, can save 60% or more on energy than the metal halide lamp.
- Equipped with power driver of Meanwell or similar quality brand driver, power factor up to 0.98.
- Quick opening lid easy to maintain.
- Housing made of aluminum alloy processing, standard 304 stainless steel, using high-tech anti-corrosion surface treatment technology, suitable for a variety of harsh industrial operating environment.
- The locking device on the bracket will keep the lamp from shift or trembling during harsh vibration.
- According to user needs, can choose light fixtures with a variety of intelligent control.

Application

It is an ideal lighting solution for power plants, substations, factories, docks, metallurgical plants and other indoor and outdoor lighting.



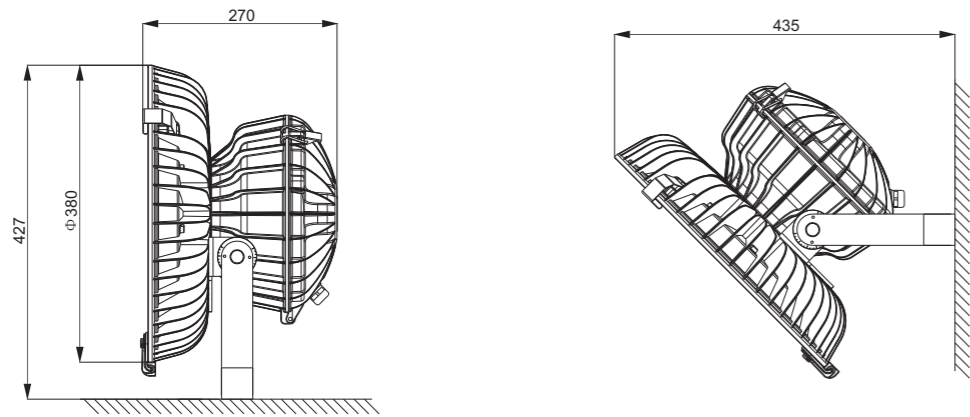
Main Specification

| Item | Technical Parameters |
|---------------------------|----------------------|
| Input voltage range (V) | 90~305VAC |
| Rated frequency | 50Hz / 60Hz |
| Light source | LED |
| Life time (h) | 100,000 |
| CRI | Ra 75 |
| CCT | 5000K ±250K |
| Leading-in cable diameter | φ 6mm~ φ 12mm |
| Dimension (mm) | 380×270×427 |
| Net weight (kg) | 8 |

Ordering Reference

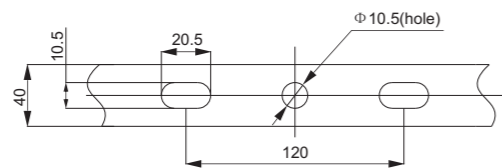
| Model Number | Picture | Rated wattage (W) | Light output (lm) | Space height ratio | Mounting height (m) | Light distribution Curve(1000cd/lm) | Equivalent to MH |
|-----------------|---------|-------------------|-------------------|--------------------|---------------------|-------------------------------------|------------------|
| ZY8302-L80-5° | | 80W | 7600 | / | / | | 150W |
| ZY8302-L100-5° | | 100W | 8900 | | | | 175W |
| ZY8302-L120-5° | | 120W | 10000 | | | | 175W~250W |
| ZY8302-L80-50° | | 80W | 7600 | 0.65 | 5~10m | | 150W |
| ZY8302-L100-50° | | 100W | 9000 | | | | 175W |
| ZY8302-L120-50° | | 120W | 10200 | | | | 175W~250W |
| ZY8302-L150-50° | | 150W | 11250 | | | | 250W~400W |

Drawing of dimension (Dimensions in mm)



Seat mounting

Side wall mounting



Installation dimension



Characteristics

- Light distribution specially design for high-top plant.
- Radiator adopt fin structure design, light source adopt decentralized layout and separate structure of power, long-term suitable for operating environment with high temperature and high humidity.
- It adopts American CREE LED as light source, no dark zone in light spot, can save 60% or more on energy than the metal halide lamp.
- Equipped with electrical appliance of Meanwell or other similar quality power driver, AC and DC wide voltage constant, power factor up to 0.98.
- Quick opening lid design, shaft anti-off device, can achieve fast installation and maintenance.
- Housing made of aluminum alloy processing, standard 304 stainless steel, using high-tech anti-corrosion surface treatment technology, suitable for a variety of harsh industrial operating environment.
- According to user needs, achieve a variety of intelligent control.

Application

Suitable for plant lighting to high, medium and low installation height region with demanding high temperature performance for demanding.



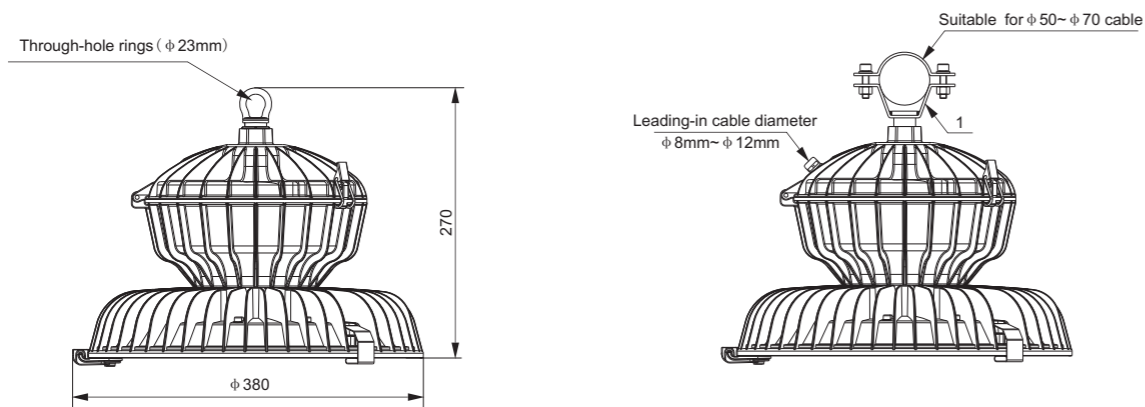
Main Specification

| Item | Technical Parameters |
|---------------------------|----------------------|
| Input voltage range (V) | 90~305VAC |
| Rated frequency | 50Hz / 60Hz |
| Light source | LED |
| Life time (h) | 100,000 |
| CRI | Ra 75 |
| CCT | 5000K ±250K |
| Leading-in cable diameter | φ 9mm~ φ 14mm |
| Dimension (mm) | φ 380×270 |
| Net weight (kg) | 7.5 |

Ordering Reference

| Model Number | Picture | Rated wattage (W) | Light output (lm) | Space height ratio | Mounting height (m) | Light distribution Curve(1000cd/lm) | Equivalent to Metal Halide Lamp |
|-----------------|---------|-------------------|-------------------|--------------------|---------------------|-------------------------------------|---------------------------------|
| ZY8501-L80-65° | | 80W | 7600 | 0.7 | 6~10m | | 150W |
| ZY8501-L100-65° | | 100W | 9000 | | | | 175W |
| ZY8501-L120-65° | | 120W | 10200 | | 175W~250W | | |
| ZY8501-L150-65° | | 150W | 11250 | | 250W~400W | | |
| ZY8501-L80-50° | | 80W | 7600 | 0.65 | 6~12m | | 150W |
| ZY8501-L100-50° | | 100W | 9000 | | | | 175W |
| ZY8501-L120-50° | | 120W | 10200 | | 175W~250W | | |
| ZY8501-L150-50° | | 150W | 11250 | | 250W~400W | | |

Drawing of dimension (Dimensions in mm)



Ring mounting (Standard)

Hold hoop mounting (Optional)

Accessories Ordering Information (optional)

| Model No. | Number | Specifications Model | Quantity | Remark |
|-----------|--------|----------------------|----------|---------------------------------|
| P14 | 1 | Hold hoop bracket | 1 | Suitable for φ50~φ70 steel pipe |



Characteristics

- Radiators adopt comprehensive self-loop design, long-term suitable for operating environment with high temperature and high humidity. Upper and lower ventilation fin structure, no dust.
- Variety of light distribution, variety of installation types, an effective solution to beautify workshop and device platform.
- It adopts imported light source, no dark zone in light spot, no ghosting, can save 60% or more on energy than the metal halide lamp.
- AC and DC wide voltage constant power supply, power factor up to 0.98.
- It can achieve quickly scene replacement of light source and electrical without welding.
- According to user needs, achieve a variety of intelligent control.

CE
RoHS
LM79
LM84
IP
65
Ta
55
Ta
-40



Application

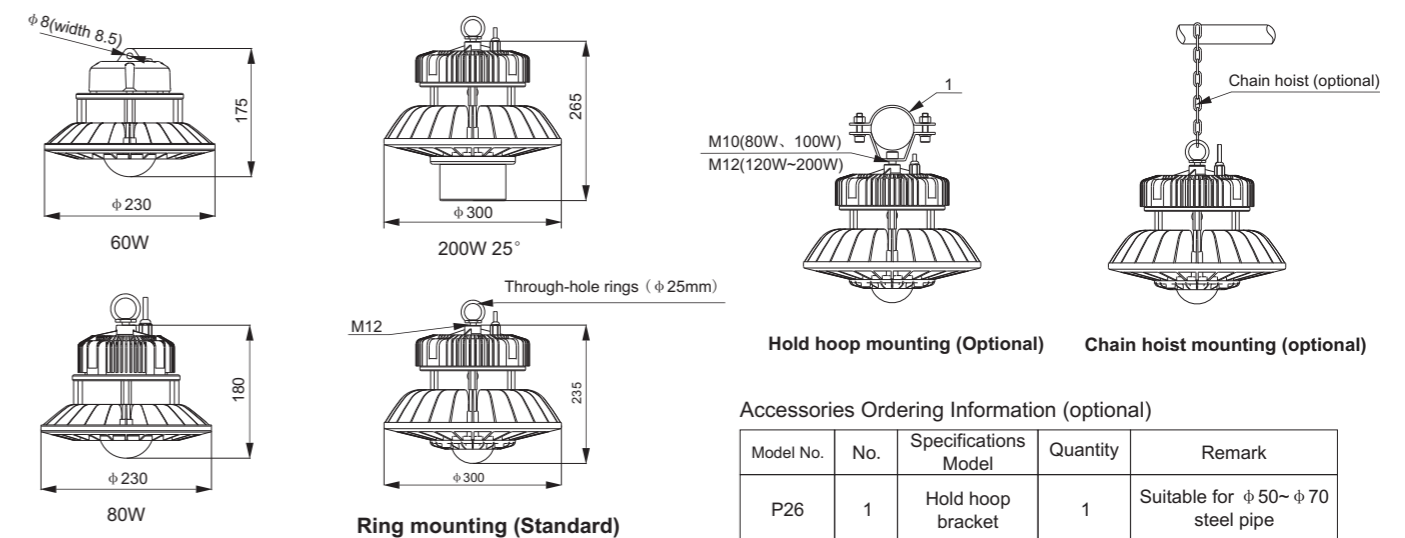
The product is suitable for use in power station, steel industry, workshop and other places.



Main Specification

| Item | Technical Parameters |
|-------------------------|-----------------------------|
| Input voltage range (V) | 90~305VAC |
| Rated frequency | 50Hz / 60Hz |
| Light source | LED |
| Life time (h) | 50,000 |
| CRI | Ra 70 (80 optional) |
| CCT | 5000K(3000K/4000K optional) |
| Dimension (mm) | φ230×175 (60W) |
| | φ230×180 (80W) |
| | φ300×235 (100~200W) |
| Net weight (kg) | 4.8 (Max) |

Drawing of dimension (Dimensions in mm)


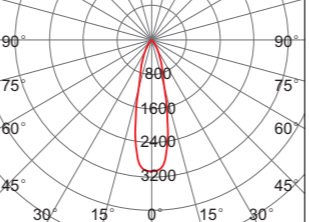

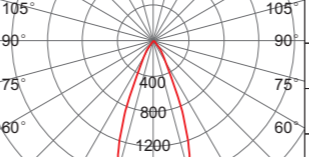

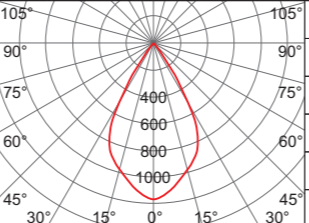

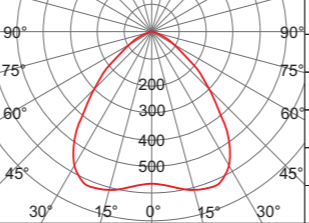

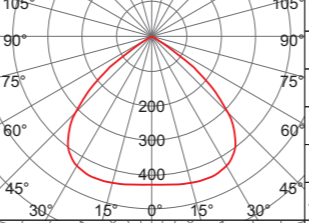

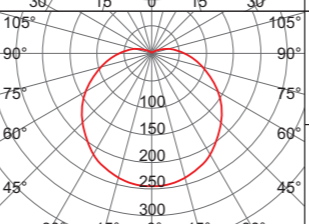


Accessories Ordering Information (optional)

| Model No. | No. | Specifications Model | Quantity | Remark |
|-----------|-----|----------------------|----------|---------------------------------|
| P26 | 1 | Hold hoop bracket | 1 | Suitable for φ50~φ70 steel pipe |

100W, 120W, 150W, 180W, 200W

Ordering Reference

| Model Number | Picture | Rated wattage (W) | Light output (lm) | Space height ratio | Mounting height (m) | Light distribution curve(1000cd/lm) | Equivalent to MH |
|------------------|---|-------------------|-------------------|--------------------|---------------------|---|------------------|
| ZY8502-L200-25° |  | 200W | 20500 | 0.4 | 25~45m |  | 400W~600W |
| ZY8502-L80-40° |  | 80W | 8400 | 0.7 | 10~15m |  | 175W |
| ZY8502-L100-40° | | 100W | 11300 | | | | 250W |
| ZY8502-L120-40° | | 120W | 12300 | | >250W | | |
| ZY8502-L150-40° | | 150W | 16100 | | 400W | | |
| ZY8502-L180-40° | | 180W | 17400 | | 400W~600W | | |
| ZY8502-L60-60° |  | 60W | 6700 | 0.9 | 8~10m |  | 150W |
| ZY8502-L80-60° | | 80W | 8400 | | 175W | | |
| ZY8502-L100-60° | | 100W | 11300 | | 250W | | |
| ZY8502-L120-60° | | 120W | 12300 | | >250W | | |
| ZY8502-L150-60° | | 150W | 16100 | | 400W | | |
| ZY8502-L200-60° | 200W | 23100 | 400W~600W | | | | |
| ZY8502-L60-80° |  | 60W | 6900 | 1.35 | 8~10m |  | 150W |
| ZY8502-L80-80° | | 80W | 8700 | | 175W | | |
| ZY8502-L100-80° | | 100W | 11500 | | 250W | | |
| ZY8502-L120-80° | | 120W | 12600 | | >250W | | |
| ZY8502-L150-80° | | 150W | 16800 | | 400W | | |
| ZY8502-L200-80° | 200W | 23700 | 400W~600W | | | | |
| ZY8502-L60-100° |  | 60W | 7000 | 1.4 | 8~10m |  | 150W |
| ZY8502-L80-100° | | 80W | 8800 | | 175W | | |
| ZY8502-L100-100° | | 100W | 11600 | | 250W | | |
| ZY8502-L120-100° | | 120W | 12700 | | >250W | | |
| ZY8502-L150-100° | | 150W | 16900 | | 400W | | |
| ZY8502-L200-100° | 200W | 23900 | 400W~600W | | | | |
| ZY8502-L60-200° |  | 60W | 6700 | 1.75 | 5~8m |  | 150W |
| ZY8502-L80-200° | | 80W | 8400 | | | | 175W |

Note: The above model numbers are ring mounted light, pole mounted lights are required to plus "P" after the model numbers (as ZY8502P-L150-100°)


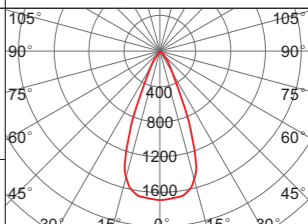


Application

Idea to be used in the platform water control room, fire water pump room and etc.



Ordering Reference

| Model Number | Picture | Rated wattage (W) | Light output (lm) | Space height ratio | Mounting height (m) | Light distribution Curve(1000cd/lm) | Equivalent to MH |
|-----------------|---|-------------------|-------------------|--------------------|---------------------|---|------------------|
| ZY8603P-L50-40° |  | 50W | 5400 | 0.7 | 5~8m |  | 100W |
| ZY8603P-L60-40° | | 60W | 6700 | | | | 150W |
| ZY8603P-L80-40° | | 80W | 8400 | | | | 175W |

Characteristics

- Housing made of special aluminum processing, hardware and brackets adopt 304 stainless steel, using high-tech anti-corrosion surface treatment technology, can be long-term suitable for seaside, chlor-alkali, hydrogen sulfide and other highly corrosive areas.
- Superconducting aluminum comprehensive self-loop thermal design, long-term suitable for operating environment with high temperature and high humidity. Upper and lower ventilation fin structure, no dust.
- Variety of light distribution, variety of installation types, same shape, an effective solution to beautify workshop and device platform.
- The shell is made of high-tech surface treatment technology, corrosion resistant, waterproof and dustproof, suitable for harsh environments.
- It adopts imported light source, no dark zone in light spot, no ghosting, the entire lighting efficiency average up to 120lm / W, can save 60% or more on energy than the metal halide lamp.
- Taiwan Meanwell power supply or same quality power supply, power factor above 0.98, high reliability and long time service life.
- Independent side open increased safety wiring chamber, safe and easy installation and maintenance.
- It can quickly replace the light source without welding.
- Intelligent control functions (1 ~ 10VDC, PWM, carrier, DALI and other Dimming mode).

Main Specification

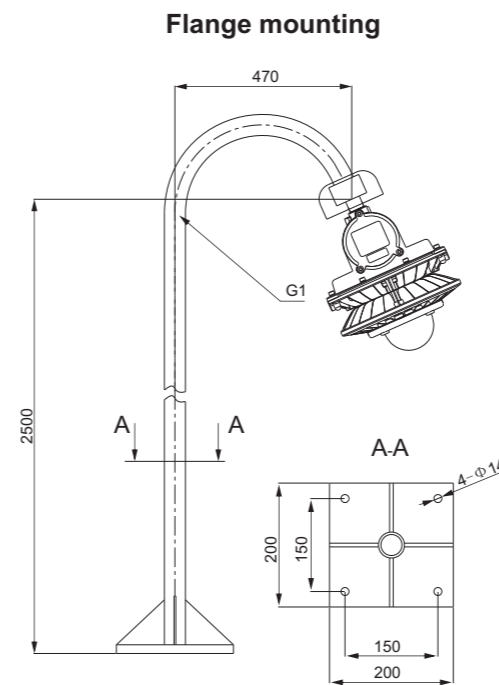
| Item | Technical Parameters |
|---------------------------|---------------------------------|
| Input voltage range (V) | 90~264VAC; 18~43VAC; 18~55VDC |
| Rated frequency | 50Hz / 60Hz |
| Light source | LED |
| Service life | 50,000 |
| CRI | Ra 70 (80 optional) |
| CCT | 5000K(3000K/4000K optional) |
| Leading-in cable diameter | φ 10~ φ 14mm |
| Terminal | Multi core: ≤2.5mm ² |
| | Single core: ≤4mm ² |
| Dimension (mm) | φ 230×270 |
| Net weight (kg) | 4.2 |

| Model Number | Picture | Rated wattage (W) | Light output (lm) | Space height ratio | Mounting height (m) | Light distribution Curve(1000cd/lm) | Equivalent to MH |
|---------------------------------|---------|-------------------|-------------------|--------------------|---------------------|-------------------------------------|------------------|
| ZY8603P-L30-60° | | 30W | 3400 | 0.9 | 3~6m | | 70W |
| ZY8603P-L40-60° | | 40W | 4400 | | | | 100W |
| ZY8603P-L50-60° | | 50W | 5400 | | > 100W | | |
| ZY8603P-L60-60° | | 60W | 6700 | | 150W | | |
| ZY8603P-L80-60° | | 80W | 8400 | | 175W | | |
| ZY8603P-L30-80° | | 30W | 3500 | 1.35 | 3~6m | | 70W |
| ZY8603P-L40-80° | | 40W | 4500 | | | | 100W |
| ZY8603P-L50-80° | | 50W | 5600 | | > 100W | | |
| ZY8603P-L60-80° | | 60W | 6900 | | 150W | | |
| ZY8603P-L80-80° | | 80W | 8700 | | 175W | | |
| ZY8603P-L30-100° | | 30W | 3500 | 1.4 | 3~6m | | 70W |
| ZY8603P-L40-100° | | 40W | 4600 | | | | 100W |
| ZY8603P-L50-100° | | 50W | 5600 | | > 100W | | |
| ZY8603P-L60-100° | | 60W | 7000 | | 150W | | |
| ZY8603P-L80-100° | | 80W | 8800 | | 175W | | |
| ZY8603P-L30-200° | | 30W | 2800 | 1.75 | 2~5m | | 70W |
| ZY8603P-L40-200° | | 40W | 3700 | | | | 100W |
| ZY8603P-L50-200° | | 50W | 4500 | | > 100W | | |
| ZY8603P-L60-200° | | 60W | 5400 | | 150W | | |
| ZY8603P-L80-200° | | 80W | 6800 | | 175W | | |
| Low voltage: 18~43VAC; 18~55VDC | | | | | | | |
| ZY8603P-L25L-60° | | 25W | 2800 | 0.9 | 3~6m | | 70W |
| ZY8603P-L40L-60° | | 40W | 4400 | | | | 100W |
| ZY8603P-L60L-60° | | 60W | 6700 | | 150W | | |
| ZY8603P-L70L-60° | | 70W | 7800 | | 150~175W | | |
| ZY8603P-L25L-80° | | 25W | 2900 | 1.35 | 3~6m | | 70W |
| ZY8603P-L40L-80° | | 40W | 4600 | | | | 100W |
| ZY8603P-L60L-80° | | 60W | 6900 | | 150W | | |
| ZY8603P-L70L-80° | | 70W | 8100 | | 150~175W | | |
| ZY8603P-L25L-100° | | 25W | 2900 | 1.4 | 3~6m | | 70W |
| ZY8603P-L40L-100° | | 40W | 4600 | | | | 100W |
| ZY8603P-L60L-100° | | 60W | 7000 | | 150W | | |
| ZY8603P-L70L-100° | | 70W | 8200 | | 150~175W | | |

| Model Number | Picture | Rated wattage (W) | Light output (lm) | Space height ratio | Mounting height (m) | Light distribution Curve(1000cd/lm) | Equivalent to MH |
|-------------------|---------|-------------------|-------------------|--------------------|---------------------|-------------------------------------|------------------|
| ZY8603P-L25L-200° | | 25W | 2400 | 1.75 | 2~5m | | 70W |
| ZY8603P-L40L-200° | | 40W | 3700 | | | | 100W |
| ZY8603P-L60L-200° | | 60W | 5400 | | 150W | | |
| ZY8603P-L70L-200° | | 70W | 6400 | | 150~175W | | |

Note 1: the above model with light for the recommended distribution, but also according to the actual need to choose other light distribution.

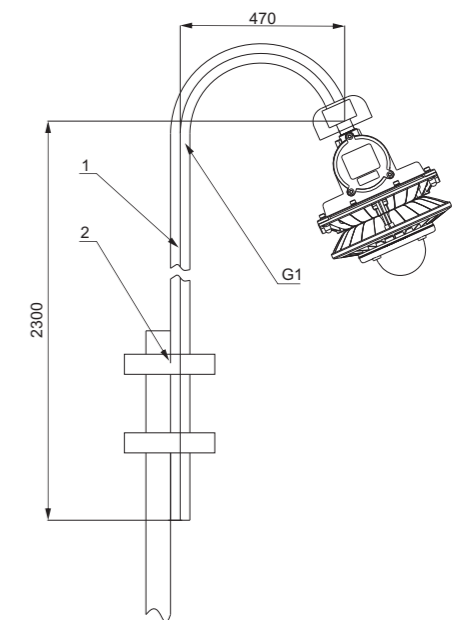
Drawing of dimension (Dimensions in mm)



Accessories Ordering Information (optional)

| Model No. | NO. | Specifications Model | Quantity |
|-----------|-----|----------------------|----------|
| P06 | 1 | Guardrail pole | 1 |

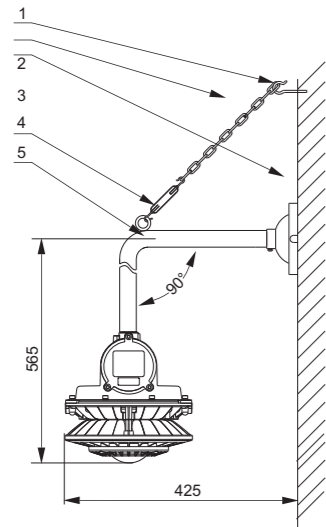
Guardrail mounting



Accessories Ordering Information (optional)

| Model No. | NO. | Specifications Model | Quantity |
|-----------|-----|----------------------|----------|
| P05 | 1 | Guardrail pole | 1 |
| | 2 | U-bolts | 2 |

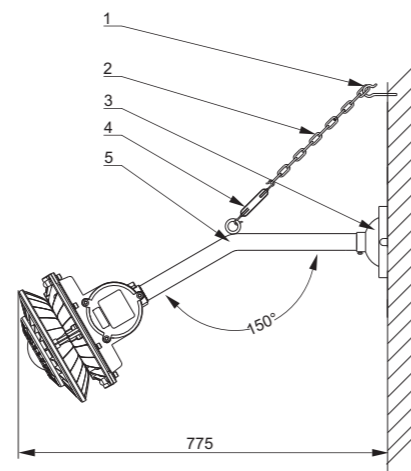
Wall mounting 90°



Accessories Ordering Information (optional)

| Model No. | NO. | Specifications Model | Quantity |
|-----------|-----|----------------------|----------|
| P16 | 1 | Expansion screw hook | 1 |
| | 2 | Chain | 1 |
| | 3 | Suction cup | 1 |
| | 4 | C-C the turnbuckle | 1 |
| | 5 | 90° bend pole(G3/4") | 1 |

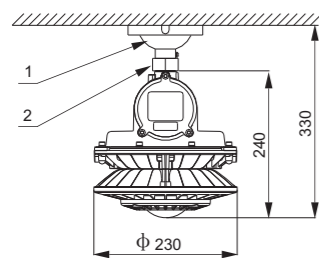
Wall mounting 150°



Accessories Ordering Information (optional)

| Model No. | NO. | Specifications Model | Quantity |
|-----------|-----|------------------------|----------|
| P15 | 1 | Expansion screw hook | 1 |
| | 2 | Chain | 1 |
| | 3 | Suction cup | 1 |
| | 4 | C-C the turnbuckle | 1 |
| | 5 | 150° bend pole (G3/4") | 1 |

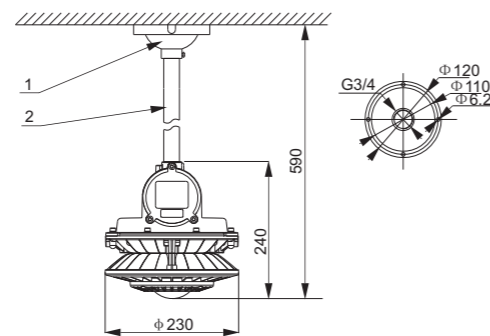
Ceiling mounting



Accessories Ordering Information (optional)

| Model No. | NO. | Specifications Model | Quantity |
|-----------|-----|----------------------|----------|
| P17 | 1 | Suction cup | 1 |
| | 2 | Adapt G3/4"(M-M) | 1 |

Pole mounting



Accessories Ordering Information (optional)

| Model No. | No. | Specifications Model | Quantity |
|-----------|-----|---------------------------|----------|
| P14 | 1 | Suction cup | 1 |
| | 2 | 30cm straight pole(G3/4") | 1 |



Characteristics

- Housing made of special aluminum processing, hardware and brackets adopt 304 stainless steel, using high-tech anti-corrosion surface treatment technology, can be long-term suitable for seaside, chlor-alkali, hydrogen sulfide and other highly corrosive areas.
- Superconducting aluminum comprehensive self-loop thermal design, long-term suitable for operating environment with high temperature and high humidity. Upper and lower ventilation fin structure, no dust.
- Variety of light distribution, variety of installation types, same shape, an effective solution to beautify workshop and device platform.
- The shell is made of high-tech surface treatment technology, corrosion resistant, waterproof and dustproof, suitable for harsh environments.
- It adopts Imported light source, no dark zone in light spot, no ghosting, the entire lighting efficiency average up to 120lm / W, can save 60% or more on energy than the metal halide lamp.
- Taiwan Meanwell power supply or same quality power supply, power factor above 0.98, high reliability and long time service life.
- Independent side open increased safety wiring chamber, safe and easy installation and maintenance.
- It can quickly replace the light source without welding.
- Intelligent control functions (1 ~ 10VDC, PWM, carrier, DALI and other Dimming mode).

Application

Idea to be used in the platform water control room, fire water pump room and etc.



Main Specification

| Item | Technical Parameters |
|---------------------------|---------------------------------|
| Input voltage range (V) | 90~264VAC; 18~43VAC; 18~55VDC |
| Rated frequency | 50Hz / 60Hz |
| Light source | LED |
| CRI | Ra 70 (80 optional) |
| Life time (h) | 50,000 |
| CCT | 5000K(3000K/4000K optional) |
| Leading-in cable diameter | Φ 6mm~ Φ 12mm |
| Terminal | Multi core: ≤2.5mm ² |
| | Single core: ≤4mm ² |
| Dimension (mm) | 245×260×270 |
| Net weight (kg) | 4.9 |

Ordering Reference

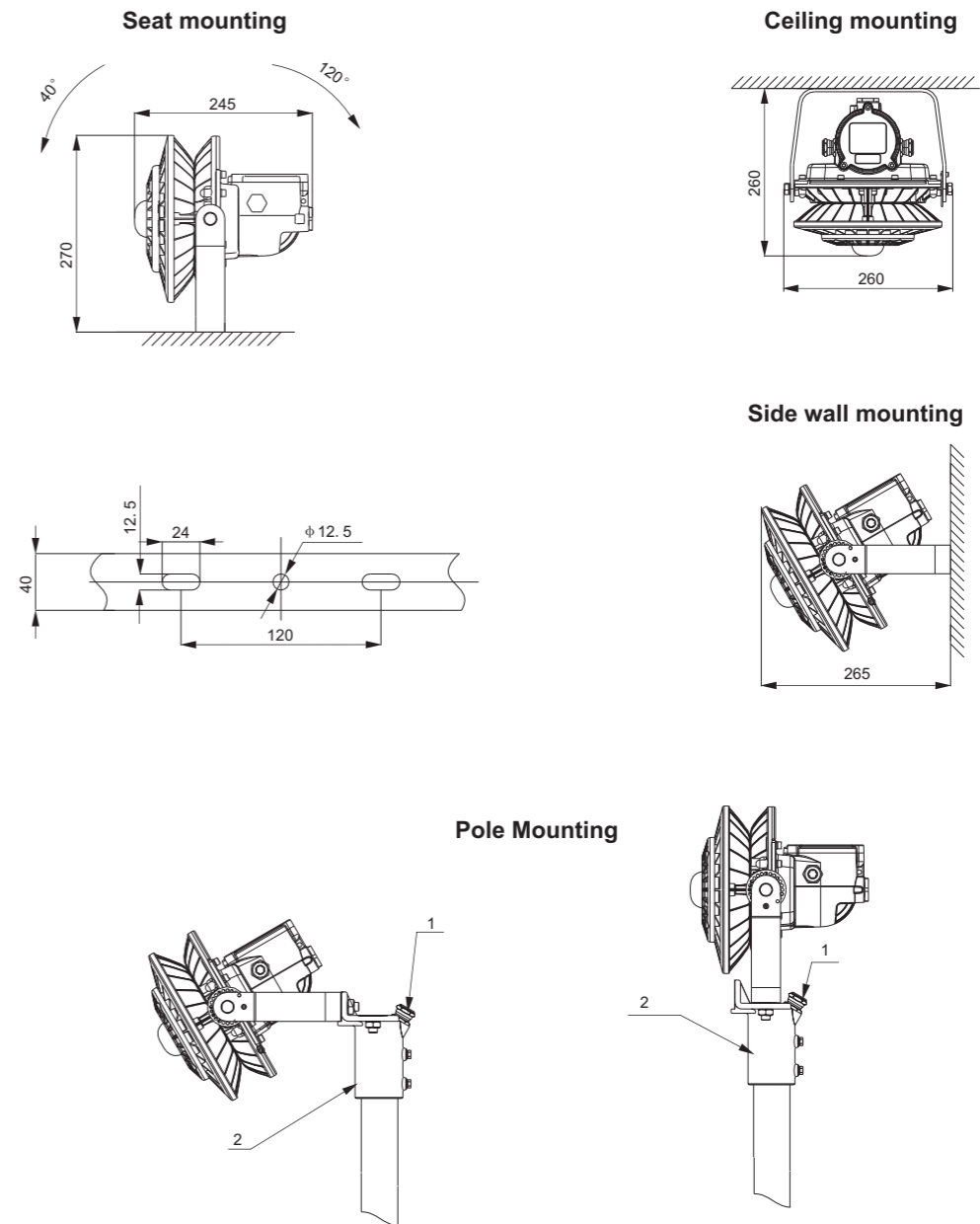
| Model Number | Picture | Rated wattage (W) | Light output (lm) | Space height ratio | Mounting height (m) | Light distribution Curve(1000cd/lm) | Equivalent to MH |
|----------------------|---------|-------------------|-------------------|--------------------|---------------------|-------------------------------------|------------------|
| ZY8603S-L30-60°×80° | | 30W | 3500 | 1.25 | 3~6m | | 70W |
| ZY8603S-L40-60°×80° | | 40W | 4700 | | | | 100W |
| ZY8603S-L50-60°×80° | | 50W | 5600 | | 100W | | |
| ZY8603S-L60-60°×80° | | 60W | 6900 | | 150W | | |
| ZY8603S-L80-60°×80° | | 80W | 8800 | | 175W | | |
| ZY8603S-L30-90°×110° | | 30W | 3400 | 1.75 | 3~6m | | 70W |
| ZY8603S-L40-90°×110° | | 40W | 4400 | | | | 100W |
| ZY8603S-L50-90°×110° | | 50W | 5600 | | 100W | | |
| ZY8603S-L60-90°×110° | | 60W | 6700 | | 150W | | |
| ZY8603S-L80-90°×110° | | 80W | 8400 | | 175W | | |
| ZY8603S-L30-200° | | 30W | 2800 | 1.75 | 2~5m | | 70W |
| ZY8603S-L40-200° | | 40W | 3700 | | 100W | | |
| ZY8603S-L50-200° | | 50W | 4500 | | 100W | | |
| ZY8603S-L60-200° | | 60W | 5400 | | 150W | | |
| ZY8603S-L80-200° | | 80W | 6800 | | 175W | | |

Low voltage: 18~43VAC; 18~55VDC

| | | | | | | | |
|-----------------------|--|-----|------|------|----------|--|------|
| ZY8603S-L25L-60°×80° | | 25W | 2900 | 1.25 | 3~6m | | 70W |
| ZY8603S-L40L-60°×80° | | 40W | 4600 | | | | 100W |
| ZY8603S-L60L-60°×80° | | 60W | 6900 | | 150W | | |
| ZY8603S-L70L-60°×80° | | 70W | 8200 | | 150~175W | | |
| ZY8603S-L25L-90°×110° | | 25W | 2700 | 1.75 | 3~6m | | 70W |
| ZY8603S-L40L-90°×110° | | 40W | 4400 | | | | 100W |
| ZY8603S-L60L-90°×110° | | 60W | 6700 | | 150W | | |
| ZY8603S-L70L-90°×110° | | 70W | 7600 | | 150~175W | | |
| ZY8603S-L25L-200° | | 25W | 2400 | 1.75 | 2~5m | | 70W |
| ZY8603S-L40L-200° | | 40W | 3700 | | 100W | | |
| ZY8603S-L60L-200° | | 60W | 5400 | | 150W | | |
| ZY8603S-L70L-200° | | 70W | 6400 | | 150~175W | | |

Note 1: the above model with light for the recommended distribution, but also according to the actual need to choose other light distribution.

Drawing of dimension (Dimensions in mm)



Accessories Ordering Information (optional)

| Model No. | NO. | Specifications Model | Quantity | Remark |
|-----------|-----|--------------------------|----------|-------------------------------|
| P07 | 1 | Waterproof Connector M20 | 1 | Suitable for Φ8mm-Φ12mm Cable |
| | 2 | Pole mounting bracket | 1 | Suitable for DN32, DN40 pole |



Characteristics

- Housing made of special aluminum processing, hardware and brackets adopt 304 stainless steel, using high-tech anti-corrosion surface treatment technology, can be long-term suitable for seaside, chlor-alkali, hydrogen sulfide and other highly corrosive areas.
- Superconducting aluminum comprehensive self-loop thermal design, long-term suitable for operating environment with high temperature and high humidity. Upper and lower ventilation fin structure, no dust.
- Variety of light distribution, variety of installation types, same shape, an effective solution to beautify workshop and device platform.
- The shell is made of high-tech surface treatment technology, corrosion resistant, waterproof and dustproof, suitable for harsh environments.
- It adopts Imported light source, no dark zone in light spot, no ghosting, the entire lighting efficiency average up to 120lm / W, can save 60% or more on energy than the metal halide lamp.
- Taiwan Meanwell power supply or same quality power supply, power factor above 0.98, high reliability and long time service life.
- Independent side open increased safety wiring chamber, safe and easy installation and maintenance.
- It can quickly replace the light source without welding.
- Intelligent control functions (1 ~ 10VDC, PWM, carrier, DALI and other Dimming mode).

Application

Idea to be used in the platform water control room, fire water pump room and etc.



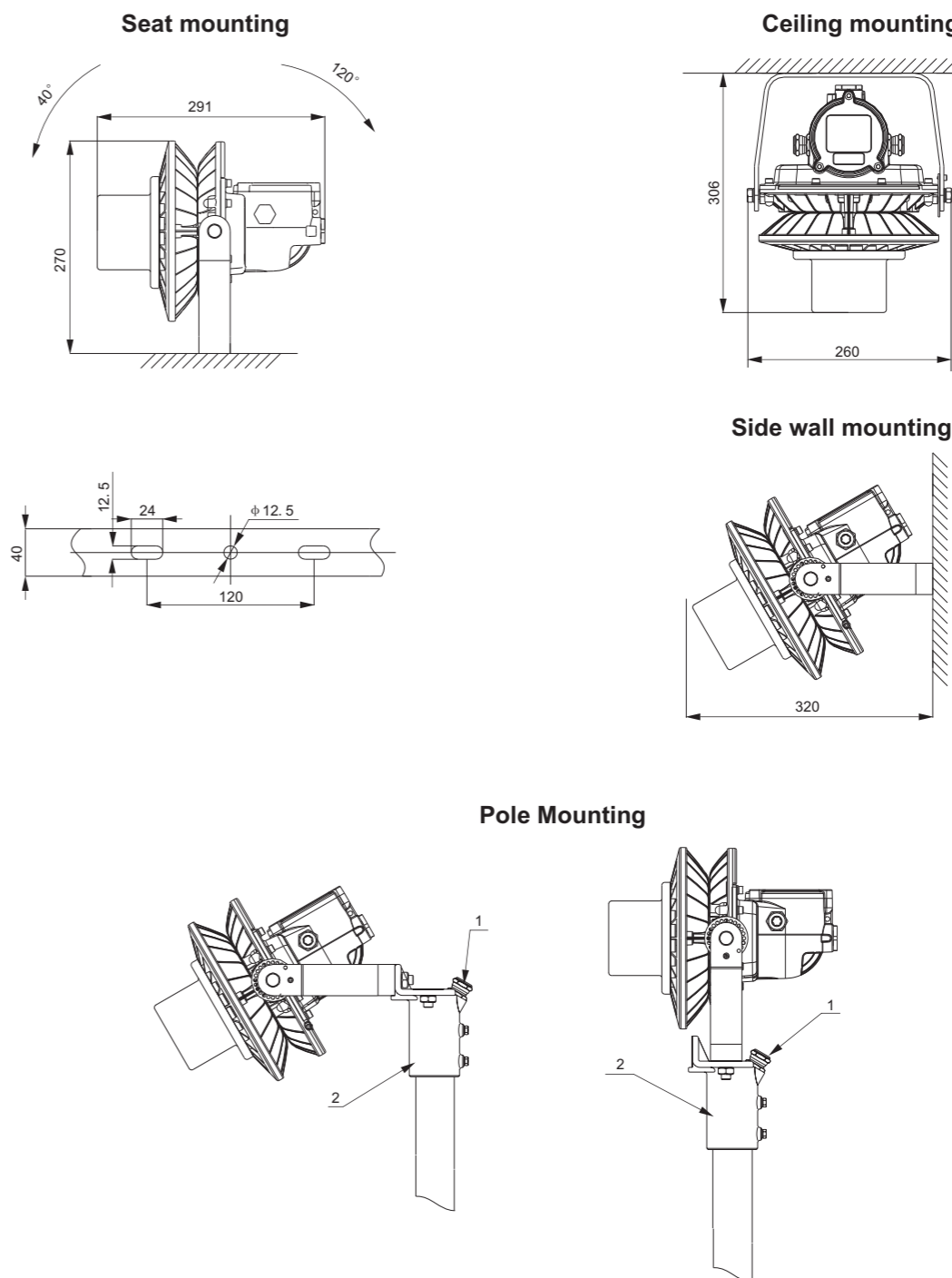
Main Specification

| Item | Technical Parameters |
|---------------------------|---------------------------------|
| Input voltage range (V) | 90~264VAC;18~43VAC; 18~55VDC |
| Rated frequency | 50Hz / 60Hz |
| Light source | LED |
| CRI | Ra 70 (80 optional) |
| Life time (h) | 50,000 |
| CCT | 5000K(3000K/4000K optional) |
| Leading-in cable diameter | φ 6mm~ φ 12mm |
| Terminal | Multi core: ≤2.5mm ² |
| | Single core: ≤4mm ² |
| Dimension (mm) | 291×260×270 |
| Net weight (kg) | 5.4 |

Ordering Reference

| Model Number | Picture | Rated wattage (W) | Light output (lm) | Light distribution Curve(1000cd/lm) | Equivalent to MH |
|-----------------|---------|-------------------|-------------------|-------------------------------------|------------------|
| ZY8603S-L60-18° | | 60W | 5900 | | 150W |
| ZY8603S-L80-18° | | 80W | 7500 | | 175W |

Drawing of dimension (Dimensions in mm)



Accessories Ordering Information (optional)

| Model No. | NO. | Specifications Model | Quantity | Remark |
|-----------|-----|-------------------------|----------|-------------------------------|
| P07 | 1 | Waterproof ConnectorM20 | 1 | Suitable for φ8mm-φ12mm Cable |
| | 2 | Pole mounting bracket | 1 | Suitable for DN32, DN40 pole |



Characteristics

- It is made using a special aluminum housing, suitable for long-term highly corrosive environment of offshore platforms, chlor-alkali, vulcanization cyanide.
- A full range of high conductivity material accelerate convection cooling structure, effective guarantee long-term use in high temperature environments.
- Variety of light distribution, variety of installation types, an effective solution to beautify workshop and device platform.
- The shell is made of high-tech surface coating technology, corrosion resistant, waterproof and dust proof, suitable for harsh environments.
- Imported light source, high luminous efficiency, low-light failure Taiwan Meanwell power supply or same quality power supply, power factor above 0.98, high reliability and long time service life.
- Independent wiring chamber, safe and easy installation and maintenance.
- It is available to intelligent control functions(1-10VDC, PWM, Carrier DALI etc dimming)
- All exposed fasteners adopt 304 stainless steel(ocean platform 316 stainless steel optional). Effectively ensure light strength and corrosion resistance.

Application

Suitable for low installation height region in high temperature, high humidity and vibration environment, like offshore platforms, ship transport corridors, passages, etc.



Main Specification

| Item | Technical Parameters |
|---------------------------|--------------------------------|
| Input voltage range (V) | 90~264VAC |
| Input frequency | 50Hz / 60Hz |
| Light source | LED |
| CRI | 70(80 optional) |
| Life time (h) | 50,000 |
| CCT | 5000K(3000K/4000K optional) |
| Leading-in cable diameter | φ 10mm~φ 14mm |
| Terminal | Multi core ≤ 4mm ² |
| | Single core ≤ 6mm ² |
| Dimension (mm) | φ 300×290 |
| Net weight (kg) | 6.4 |

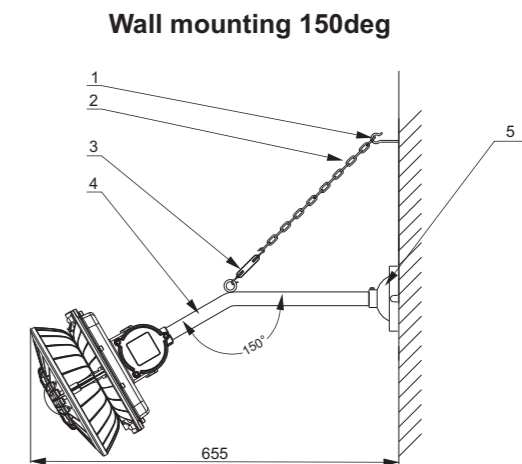
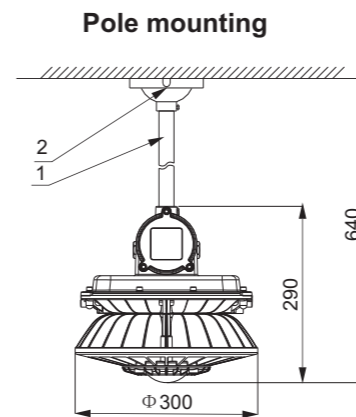
Ordering Reference

| Order reference | Picture | Rated wattage (W) | Light output (lm) | Space height ratio | Mounting height (m) | Lighting distribution (1000cd/lm) | Replace MH |
|------------------|---------|-------------------|-------------------|--------------------|---------------------|-----------------------------------|------------|
| ZY8605P-L100-40° | | 100W | 11300 | 0.7 | 8~12m | | 250W |
| ZY8605P-L120-40° | | 120W | 13000 | | >250W | | |
| ZY8605P-L150-40° | | 150W | 16500 | | 400W | | |
| ZY8605P-L180-40° | | 180W | 17400 | | >400W | | |

| Order reference | Picture | Rated wattage (W) | Light output (lm) | Space height ratio | Mounting height (m) | Lighting distribution (1000cd/lm) | Replace MH |
|-------------------|---------|-------------------|-------------------|--------------------|---------------------|-----------------------------------|------------|
| ZY8605P-L100-60° | | 100W | 11200 | 0.9 | 8~12m | | 250W |
| ZY8605P-L120-60° | | 120W | 12900 | | >250W | | |
| ZY8605P-L150-60° | | 150W | 16500 | | 400W | | |
| ZY8605P-L200-60° | | 200W | 23100 | | >400W | | |
| ZY8605P-L240-60° | | 240W | 26700 | | 20~30m | | 600W~800W |
| ZY8605P-L100-80° | | 100W | 11500 | 1.35 | 8~12m | | 250W |
| ZY8605P-L120-80° | | 120W | 13200 | | >250W | | |
| ZY8605P-L150-80° | | 150W | 16800 | | 400W | | |
| ZY8605P-L200-80° | | 200W | 23700 | | >400W | | |
| ZY8605P-L240-80° | | 240W | 27200 | | 15~25m | | 600W~800W |
| ZY8605P-L100-100° | | 100W | 11600 | 1.4 | 8~12m | | 250W |
| ZY8605P-L120-100° | | 120W | 13400 | | >250W | | |
| ZY8605P-L150-100° | | 150W | 17000 | | 400W | | |
| ZY8605P-L200-100° | | 200W | 23900 | | >400W | | |
| ZY8605P-L240-100° | | 240W | 27400 | | 15~20m | | 600W~800W |

Note 1: the above model with light for the recommended distribution, but also according to the actual need to choose other light distribution.

Drawing of dimension (Dimensions in mm)



Accessories order information(Pole mounting)

| Ordering Reference | Item no. | Specification | Quantity |
|--------------------|----------|-----------------|----------|
| P14 | 1 | G3/4" pole 30cm | 1 |
| | 2 | Sucker | 1 |

Accessories order information(Wall mounting 150deg)

| Ordering Reference | Item no. | Specification | Quantity |
|--------------------|----------|---------------------------|----------|
| P15 | 1 | Expansion screw hook | 1 |
| | 2 | Chain | 1 |
| | 3 | C-C turn buckle | 1 |
| | 4 | G3/4" bend pipe 150Degree | 1 |
| | 5 | Sucker | 1 |



Characteristics

- It is made using a special aluminum housing, anti-corrosion performance better than 304 stainless steel, suitable for long-term highly corrosive environment of offshore platforms, chlor-alkali, vulcanization cyanide.
- A full range of high conductivity material accelerate convection cooling structure, effective guarantee long-term use in high temperature environments.
- Variety of light distribution, variety of installation types, an effective solution to beautify workshop and device platform.
- The shell is made of high-tech surface coating technology, corrosion resistant, waterproof and dust proof, suitable for harsh environments.
- Imported light source, high luminous efficiency 120lm/w, low-light failure Taiwan Meanwell power supply or same quality power supply, power factor above 0.98, high reliability and long time service life.
- Independent wiring chamber, safe and easy installation and maintenance.
- It is available to intelligent control functions(1-10VDC, PWM, Carrier DALI etc dimming)
- All exposed fasteners adopt 304 stainless steel(ocean platform 316 stainless steel optional). Effectively ensure light strength and corrosion resistance.

Application

Suitable for low installation height region in high temperature, high humidity and vibration environment, like offshore platforms, ship transport corridors, passages, etc.



Main Specification

| Item | Technical Parameters |
|---------------------------|--------------------------------|
| Input voltage range (V) | 90~264VAC |
| Rated frequency | 50Hz / 60Hz |
| Light source | LED |
| CRI | 70(80 optional) |
| Life time (h) | 50,000 |
| CCT | 5000K(3000K/4000K optional) |
| Leading-in cable diameter | φ 6mm~φ 12mm |
| Terminal | Multi core ≤ 4mm ² |
| | Single core ≤ 6mm ² |
| Dimension (mm) | 295×330×350 |
| Net weight (kg) | 7.5 |

Ordering Reference

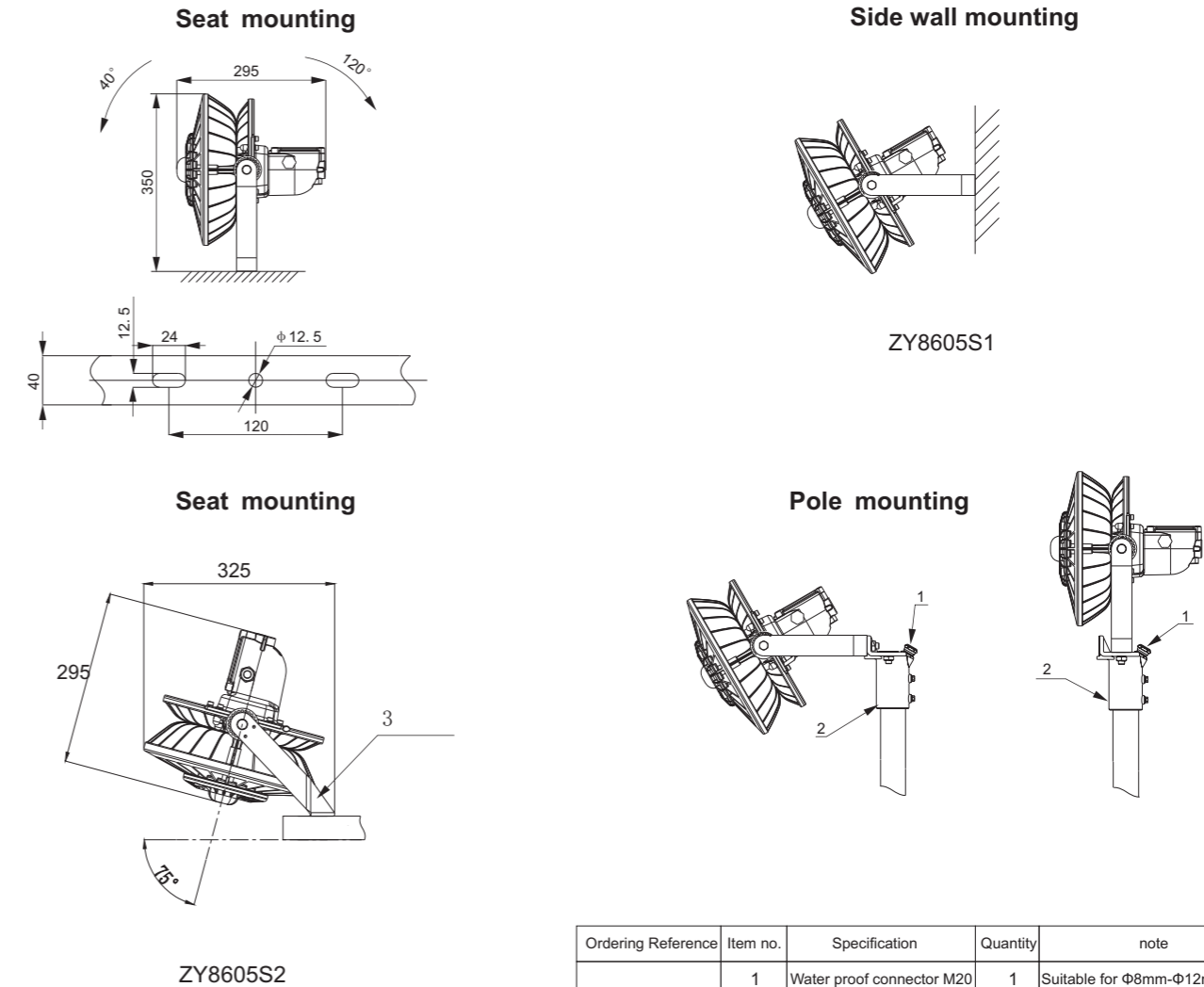
| Order reference | Picture | Rated wattage (W) | Light output (lm) | Space height ratio | Mounting height (m) | Lighting distribution (1000cd/lm) | Replace MH |
|------------------------|---------|-------------------|-------------------|--------------------|---------------------|-----------------------------------|------------|
| ZY8605S□ -L100-60°×80° | | 100W | 11800 | 1.25 | 8~12m | | 250W |
| ZY8605S□ -L120-60°×80° | | 120W | 13600 | | | | >250W |
| ZY8605S□ -L150-60°×80° | | 150W | 17300 | | 400W | | |
| ZY8605S□ -L200-60°×80° | | 200W | 23300 | | >400W | | |
| ZY8605S□ -L240-60°×80° | | 240W | 26700 | | 600W~800W | | |

Ordering Reference

| Order reference | Picture | Rated wattage (W) | Light output (lm) | Space height ratio | Mounting height (m) | Lighting distribution (1000cd/lm) | Replace MH |
|-------------------------|---------|-------------------|-------------------|--------------------|---------------------|-----------------------------------|------------|
| ZY8605S□ -L100-90°×110° | | 100W | 11000 | 1.75 | 8~12m | | 250W |
| ZY8605S□ -L120-90°×110° | | 120W | 12600 | | | | >250W |
| ZY8605S□ -L150-90°×110° | | 150W | 16000 | | 400W | | |
| ZY8605S□ -L200-90°×110° | | 200W | 22000 | | >400W | | |
| ZY8605S□ -L240-90°×110° | | 240W | 25300 | | 600W~800W | | |

Note 1: the above model with light for the recommended distribution, but also according to the actual need to choose other light distribution.
 Note 2: order number "□" according to the actual installation needs fill in 1 or 2, S1 straight stent, S2 angle bracket.

Drawing of dimension (Dimensions in mm)



| Ordering Reference | Item no. | Specification | Quantity | note |
|--------------------|----------|---------------------------|----------|-------------------------------|
| P07 | 1 | Water proof connector M20 | 1 | Suitable for Φ8mm-Φ12mm cable |
| | 2 | Pole mounting bracket | 1 | Suitable for DN32 , DN40 pole |



Characteristics

- It is made using a special aluminum housing, suitable for long-term highly corrosive environment of offshore platforms, chlor-alkali, vulcanization cyanide.
- A full range of high conductivity material accelerate convection cooling structure, effective guarantee long-term use in high temperature environments.
- Variety of light distribution, variety of installation types, an effective solution to beautify workshop and device platform.
- The shell is made of high-tech surface coating technology, corrosion resistant, waterproof and dust proof, suitable for harsh environments.
- Imported light source, high luminous efficiency 120lm/w, low-light failure Taiwan Meanwell power supply or same quality power supply, power factor above 0.98, high reliability and long time service life.
- Independent wiring chamber, safe and easy installation and maintenance.
- It is available to intelligent control functions(1-10VDC, PWM, Carrier DALI etc dimming)
- All exposed fasteners adopt 304 stainless steel(ocean platform 316 stainless steel optional). Effectively ensure light strength and corrosion resistance.

Application

Suitable as long distance cast lighting for offshore platform equipment, cargo terminal, stockyard and other high, medium installation height wet corrosive environments.



Main Specification

| Item | Technical Parameters |
|---------------------------|--------------------------------|
| Input voltage range (V) | 90~264VAC |
| Rated frequency | 50Hz / 60Hz |
| Light source | LED |
| CRI | 70 (80 optional) |
| Life time (h) | 50,000 |
| CCT | 5000K(3000K/4000K optional) |
| Leading-in cable diameter | φ 6mm~ φ 12mm |
| Terminal | Multi core ≤ 4mm ² |
| | Single core ≤ 6mm ² |
| Dimension (mm) | 341×330×350 |
| Net weight (kg) | 8 |

Ordering Reference

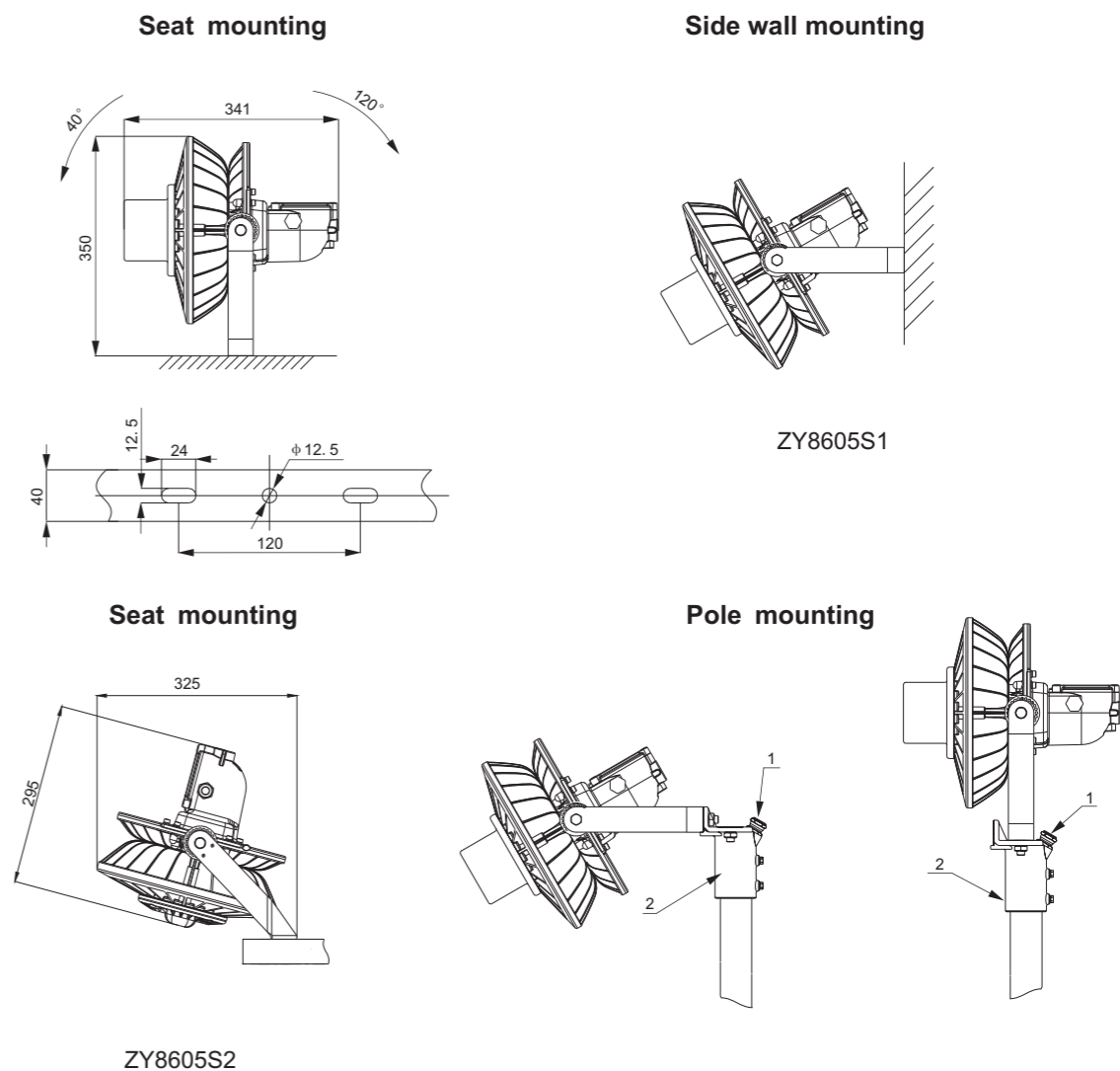
| Order reference | Picture | Rated wattage (W) | Light output (lm) | Lighting distribution (1000cd/lm) | Replace MH |
|--------------------|---------|-------------------|-------------------|-----------------------------------|------------|
| ZY8605S□ -L100-18° | | 100W | 10000 | | 250W |
| ZY8605S□ -L120-18° | | 120W | 11500 | | >250W |
| ZY8605S□ -L150-18° | | 150W | 14600 | | 400W |
| ZY8605S□ -L180-18° | | 180W | 15500 | | >400W |

Ordering Reference

| Order reference | Picture | Rated wattage (W) | Light output (lm) | Lighting distribution (1000cd/lm) | Replace MH |
|--------------------|---------|-------------------|-------------------|-----------------------------------|------------|
| ZY8605S□ -L200-25° | | 200W | 20300 | | >400W |
| ZY8605S□ -L240-25° | | 240W | 23500 | | 400W~600W |

Note 2: order number "□" according to the actual installation needs fill in 1 or 2, S1 straight stent, S2 angle bracket.

Drawing of dimension (Dimensions in mm)



| Ordering Reference | Item no. | Specification | Quantity | note |
|--------------------|----------|---------------------------|----------|-------------------------------|
| P07 | 1 | Water proof connector M20 | 1 | Suitable for φ8mm-φ12mm cable |
| | 2 | Pole mounting bracket | 1 | Suitable for DN32 , DN40 pole |



Characteristics

- Housing made of special aluminum processing, hardware and brackets adopt 304 stainless steel, using high-tech anti-corrosion surface treatment technology, can be long-term suitable for seaside, chlor-alkali, hydrogen sulfide and other highly corrosive areas.
- Superconducting aluminum comprehensive self-loop thermal design, long-term suitable for operating environment with high temperature and high humidity. Upper and lower ventilation fin structure, no dust.
- Variety of light distribution, variety of installation types, same shape, an effective solution to beautify workshop and device platform.
- It adopts Imported light source, no dark zone in light spot, no ghosting, the entire lighting efficiency average up to 120lm / W, can save 60% or more on energy than the metal halide lamp.
- AC and DC wide voltage constant power supply, can long-term use in voltage instability places
- It can quickly replace the light source without welding.
- Trunnion openings connecting device, can achieve single installation and maintenance work.

Application

Suitable for offshore device platform, wharf transport corridors and other low installation height moist corrosive environment.



Main Specification

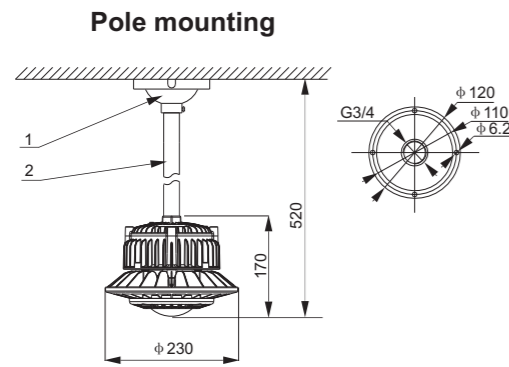
| Item | Technical Parameters |
|---------------------------|-------------------------------|
| Input voltage range (V) | 90~264VAC; 18~43VAC; 18~55VDC |
| Rated frequency | 50Hz / 60Hz |
| Light Source | LED |
| Life time (h) | 50,000 |
| CRI | Ra 70 (80 optional) |
| CCT | 5000K(3000K/4000K optional) |
| Leading-in cable diameter | φ 8mm~ φ 14mm |
| Dimension (mm) | φ 230 × 170 |
| Net weight (kg) | 3 |

Ordering Reference

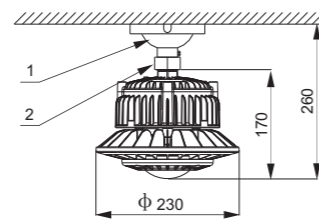
| Model Number | Picture | Rated wattage (W) | Light output (lm) | Space height ratio | Mounting height (m) | Light distribution Curve(1000cd/lm) | Equivalent to MH |
|--------------------------|---------|-------------------|-------------------|--------------------|---------------------|-------------------------------------|------------------|
| Input Voltage: 90~264VAC | | | | | | | |
| ZY8607P-L30-60° | | 30W | 3400 | 0.9 | 4~6m | | 70W |
| ZY8607P-L40-60° | | 40W | 4400 | | | | 100W |
| ZY8607P-L50-60° | | 50W | 5400 | | 100W | | |
| ZY8607P-L60-60° | | 60W | 6700 | | 150W | | |
| ZY8607P-L80-60° | | 80W | 8400 | | 175W | | |

| Model Number | Picture | Rated wattage (W) | Light output (lm) | Space height ratio | Mounting height (m) | Light distribution Curve(1000cd/lm) | Equivalent to MH |
|-----------------------------------|---------|-------------------|-------------------|--------------------|---------------------|-------------------------------------|------------------|
| Input Voltage: 90~264VAC | | | | | | | |
| ZY8607P-L30-80° | | 30W | 3500 | 1.35 | 3~6m | | 70W |
| ZY8607P-L40-80° | | 40W | 4500 | | | | 100W |
| ZY8607P-L50-80° | | 50W | 5600 | | 100W | | |
| ZY8607P-L60-80° | | 60W | 6900 | | 150W | | |
| ZY8607P-L80-80° | | 80W | 8700 | | 4~8m | | 175W |
| ZY8607P-L30-100° | | 30W | 3500 | 1.4 | 3~6m | | 70W |
| ZY8607P-L40-100° | | 40W | 4600 | | | | 100W |
| ZY8607P-L50-100° | | 50W | 5600 | | 100W | | |
| ZY8607P-L60-100° | | 60W | 7000 | | 150W | | |
| ZY8607P-L80-100° | | 80W | 8800 | | 4~8m | | 175W |
| ZY8607P-L30-200° | | 30W | 2800 | 1.75 | 2~5m | | 70W |
| ZY8607P-L40-200° | | 40W | 3700 | | | | 100W |
| ZY8607P-L50-200° | | 50W | 4500 | | 100W | | |
| ZY8607P-L60-200° | | 60W | 5400 | | 150W | | |
| ZY8607P-L80-200° | | 80W | 6800 | | 3~6m | | 175W |
| Input Voltage: 18~43VAC; 18~55VDC | | | | | | | |
| ZY8607P-L25L-60° | | 25W | 2800 | 0.9 | 4~6m | | 70W |
| ZY8607P-L40L-60° | | 40W | 4400 | | | | 100W |
| ZY8607P-L60L-60° | | 60W | 6700 | | 150W | | |
| ZY8607P-L70L-60° | | 70W | 7800 | | 6~8m | | 150~175W |
| ZY8607P-L25L-80° | | 25W | 2900 | 1.35 | 3~6m | | 70W |
| ZY8607P-L40L-80° | | 40W | 4600 | | | | 100W |
| ZY8607P-L60L-80° | | 60W | 6900 | | 150W | | |
| ZY8607P-L70L-80° | | 70W | 8100 | | 4~8m | | 150~175W |
| ZY8607P-L25L-100° | | 25W | 2900 | 1.4 | 3~6m | | 70W |
| ZY8607P-L40L-100° | | 40W | 4600 | | | | 100W |
| ZY8607P-L60L-100° | | 60W | 7000 | | 150W | | |
| ZY8607P-L70L-100° | | 70W | 8200 | | 4~8m | | 150~175W |
| ZY8607P-L25L-200° | | 25W | 2400 | 1.75 | 2~5m | | 70W |
| ZY8607P-L40L-200° | | 40W | 3700 | | | | 100W |
| ZY8607P-L60L-200° | | 60W | 5400 | | 150W | | |
| ZY8607P-L70L-200° | | 70W | 6400 | | 3~6m | | 150~175W |

Drawing of dimension (Dimensions in mm)



Ceiling mounting



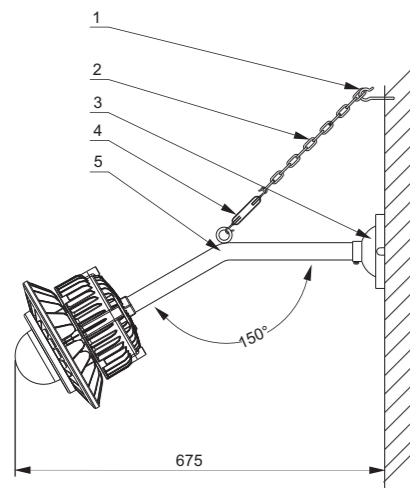
Accessories order information(Pole mounting)

| Ordering Reference | Item no. | Specification | Quantity |
|--------------------|----------|-----------------|----------|
| P14 | 1 | G3/4" pole 30cm | 1 |
| | 2 | Sucker | 1 |

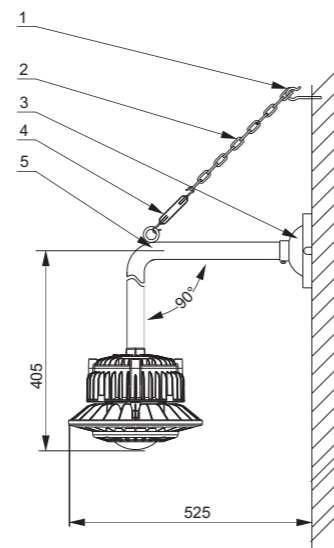
Accessories order information(Ceiling mounting)

| Ordering Reference | Item no. | Specification | Quantity |
|--------------------|----------|--------------------------|----------|
| P17 | 1 | Sucker | 1 |
| | 2 | Adapter G3 / 4 " (M-M) | 1 |

Wall mounting 150°



Wall mounting 90°



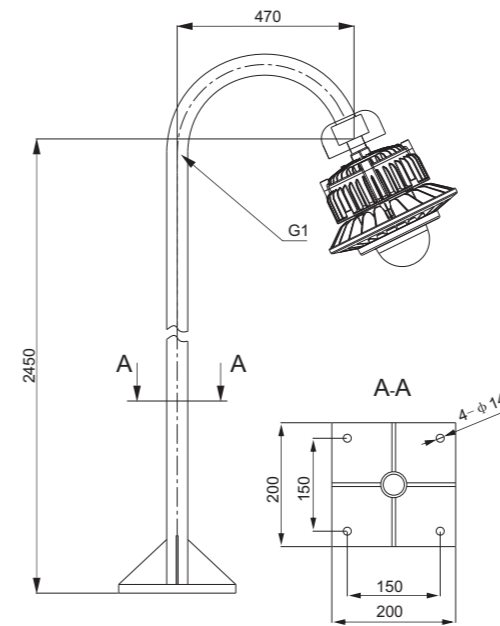
Accessories order information(Wall mounting 150deg)

| Ordering Reference | Item no. | Specification | Quantity |
|--------------------|----------|---------------------------|----------|
| P15 | 1 | Expansion screw hook | 1 |
| | 2 | Chain | 1 |
| | 3 | Sucker | 1 |
| | 4 | C-C turn buckle | 1 |
| | 5 | G3/4" bend pipe 150Degree | 1 |

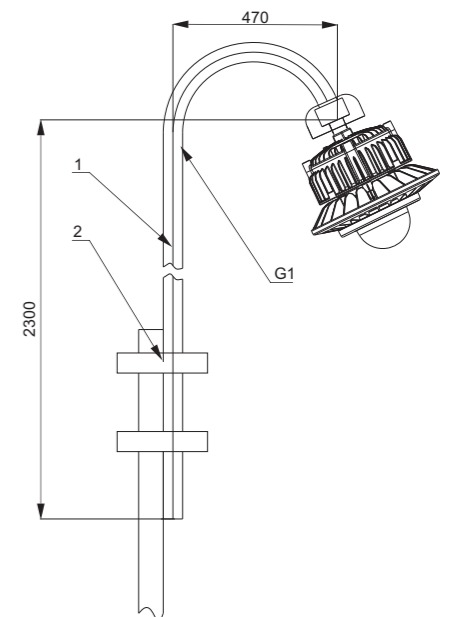
Accessories order information(Wall mounting 90deg)

| Ordering Reference | Item no. | Specification | Quantity |
|--------------------|----------|--------------------------|----------|
| P16 | 1 | Expansion screw hook | 1 |
| | 2 | Chain | 1 |
| | 3 | Sucker | 1 |
| | 4 | C-C turn buckle | 1 |
| | 5 | G3/4" bend pipe 90Degree | 1 |

Flange mounting



Guardrail mounting



Accessories order information(Flange mounting)

| Ordering Reference | Item no. | Specification | Quantity |
|--------------------|----------|---------------|----------|
| P06 | 1 | Flanged pole | 1 |

Accessories order information(Guardrail mounting)

| Ordering Reference | Item no. | Specification | Quantity |
|--------------------|----------|----------------|----------|
| P05 | 1 | Guardrail pole | 1 |
| | 2 | U-bolts | 1 |



Characteristics

- Housing made of special aluminum processing, hardware and brackets adopt 304 stainless steel, using high-tech anti-corrosion surface treatment technology, can be long-term suitable for seaside, chlor-alkali, hydrogen sulfide and other highly corrosive areas.
- Superconducting aluminum comprehensive self-loop thermal design, long-term suitable for operating environment with high temperature and high humidity. Upper and lower ventilation fin structure, no dust.
- Variety of light distribution, variety of installation types, same shape, an effective solution to beautify workshop and device platform.
- It adopts Imported light source, no dark zone in light spot, no ghosting, the entire lighting efficiency average up to 120lm / W, can save 60% or more on energy than the metal halide lamp.
- AC and DC wide voltage constant power supply, can long-term use in voltage instability places.
- It can quickly replace the light source without welding.
- Trunnion openings connecting device, can achieve single installation and maintenance work.
- Frontal area is only 30% of the traditional light fixture, suitable for high altitude and strong wind area.

Application

Suitable to port transport corridors, oxidation plant and other wet corrosive environments.



Main Specification

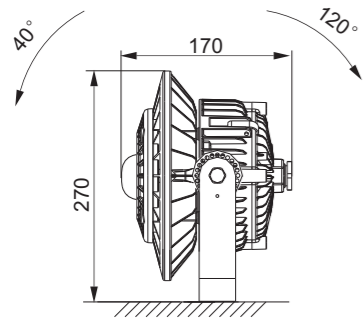
| Item | Technical Parameters |
|---------------------------|-------------------------------|
| Input voltage range (V) | 90~264VAC; 18~43VAC; 18~55VDC |
| Rated frequency | 50Hz / 60Hz |
| Light Source | LED |
| Life time (h) | 50,000 |
| CRI | Ra 70(80 optional) |
| CCT | 5000K(3000K/4000K optional) |
| Leading-in cable diameter | φ 8mm~ φ 14mm |
| Dimension (mm) | φ 230 × 170 |
| Net weight (kg) | 3 |

Ordering Reference

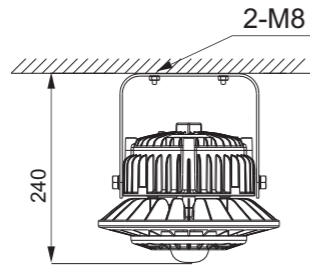
| Model Number | Picture | Rated wattage (W) | Light output (lm) | Space height ratio | Mounting height (m) | Light distribution Curve(1000cd/lm) | Equivalent to MH |
|-----------------------------------|---------|-------------------|-------------------|--------------------|---------------------|-------------------------------------|------------------|
| Input Voltage: 90~264VAC | | | | | | | |
| ZY8607S-L30-60° × 80° | | 30W | 3500 | 1.25 | 3~6m | | 70W |
| ZY8607S-L40-60° × 80° | | 40W | 4600 | | | | 100W |
| ZY8607S-L50-60° × 80° | | 50W | 5600 | | | | 100W |
| ZY8607S-L60-60° × 80° | | 60W | 6900 | | | | 150W |
| ZY8607S-L80-60° × 80° | | 80W | 8800 | | | | 175W |
| ZY8607S-L30-90° × 110° | | 30W | 3300 | 1.75 | 3~6m | | 70W |
| ZY8607S-L40-90° × 110° | | 40W | 4400 | | | | 100W |
| ZY8607S-L50-90° × 110° | | 50W | 5600 | | | | 100W |
| ZY8607S-L60-90° × 110° | | 60W | 6700 | | | | 150W |
| ZY8607S-L80-90° × 110° | | 80W | 8400 | | | | 175W |
| ZY8607S-L30-200° | | 30W | 2800 | 1.75 | 2~5m | | 70W |
| ZY8607S-L40-200° | | 40W | 3700 | | | | 100W |
| ZY8607S-L50-200° | | 50W | 4500 | | 100W | | |
| ZY8607S-L60-200° | | 60W | 5400 | | 150W | | |
| ZY8607S-L80-200° | | 80W | 6800 | | 175W | | |
| Input Voltage: 18~43VAC; 18~55VDC | | | | | | | |
| ZY8607S-L25L-60° × 80° | | 25W | 2900 | 1.25 | 3~6m | | 70W |
| ZY8607S-L40L-60° × 80° | | 40W | 4600 | | | | 100W |
| ZY8607S-L60L-60° × 80° | | 60W | 6900 | | | | 150W |
| ZY8607S-L70L-60° × 80° | | 70W | 8200 | | | | 150~175W |
| ZY8607S-L25L-90° × 110° | | | 25W | | | | 2700 |
| ZY8607S-L40L-90° × 110° | 40W | | 4400 | 100W | | | |
| ZY8607S-L60L-90° × 110° | 60W | | 6700 | 150W | | | |
| ZY8607S-L70L-90° × 110° | 70W | | 7600 | 150~175W | | | |
| ZY8607S-L25L-200° | | | 25W | 2400 | 1.75 | 2~5m | |
| ZY8607S-L40L-200° | | 40W | 3700 | 100W | | | |
| ZY8607S-L60L-200° | | 60W | 5400 | 150W | | | |
| ZY8607S-L70L-200° | | 70W | 6400 | 150~175W | | | |

Drawing of dimension (Dimensions in mm)

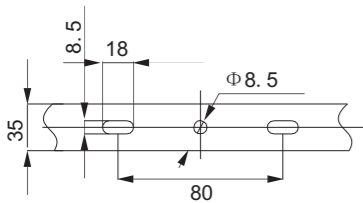
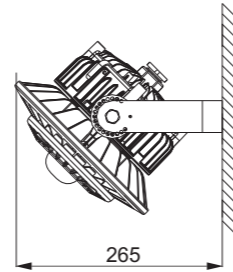
Seat mounting



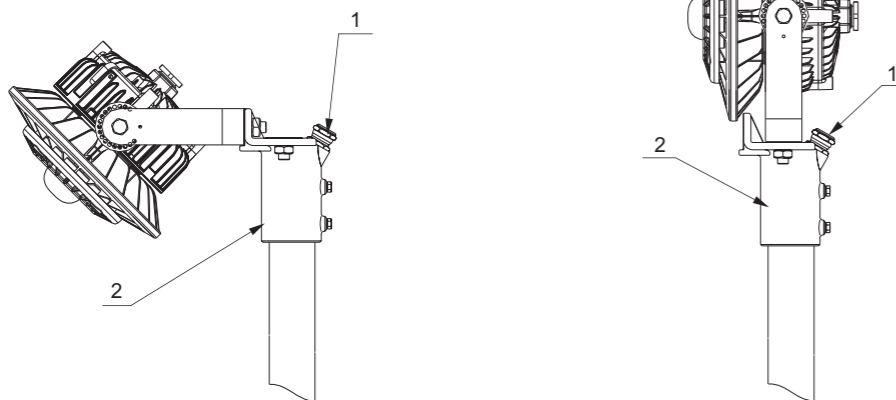
Ceiling mounting



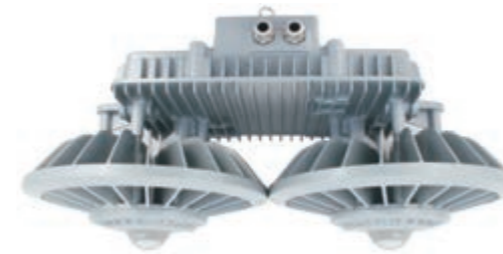
Side wall mounting



Pole mounting



| Ordering Reference | Item no. | Specification | Quantity | note |
|--------------------|----------|---------------------------|----------|-------------------------------|
| P07 | 1 | Water proof connector M20 | 1 | Suitable for Φ8mm-Φ12mm cable |
| | 2 | Pole mounting bracket | 1 | Suitable for DN32 , DN40 pole |



Characteristics

- Super power, maximum power up to 480W, can replace more than 1000W metal halide lamps and sodium lamps.
- Housing made of special aluminum processing, hardware and brackets adopt 304 stainless steel, using high-tech anti-corrosion surface treatment technology, can be long-term suitable for seaside, chlor-alkali, hydrogen sulfide and other highly corrosive areas.
- Superconducting aluminum comprehensive self-loop thermal design, long-term suitable for operating environment with high temperature and high humidity. Upper and lower ventilation fin structure, no dust.
- Variety of light distribution, variety of installation types, same shape, an effective solution to beautify workshop and device platform.
- It adopts Imported light source, no dark zone in light spot, no ghosting, can save 60% or more on energy than the metal halide lamp.
AC and DC wide voltage constant power supply, power factor above 0.98.
- It can quickly replace the light source without welding.
- Independent wiring chamber, safe and convenient for installation and maintenance.
- According to user needs, can choose light fixtures with a variety of intelligent control.

Application

Suitable for plant lighting to high and medium installation height with high temperature performance for demanding.
Suitable for plant lighting to wet and corrosive environments.



Main Specification

| Item | Technical Parameters |
|---------------------------|-----------------------------|
| Input voltage range (V) | 90~305VAC |
| Rated frequency | 50Hz / 60Hz |
| Light source | LED |
| Life time (h) | 50,000 |
| CRI | Ra 70 (80 optional) |
| CCT | 5000K(3000K/4000K optional) |
| Leading-in cable diameter | φ 8mm~ φ 12mm |
| Dimension (mm) | 602×300×250 |
| Net weight (kg) | 11.2 |

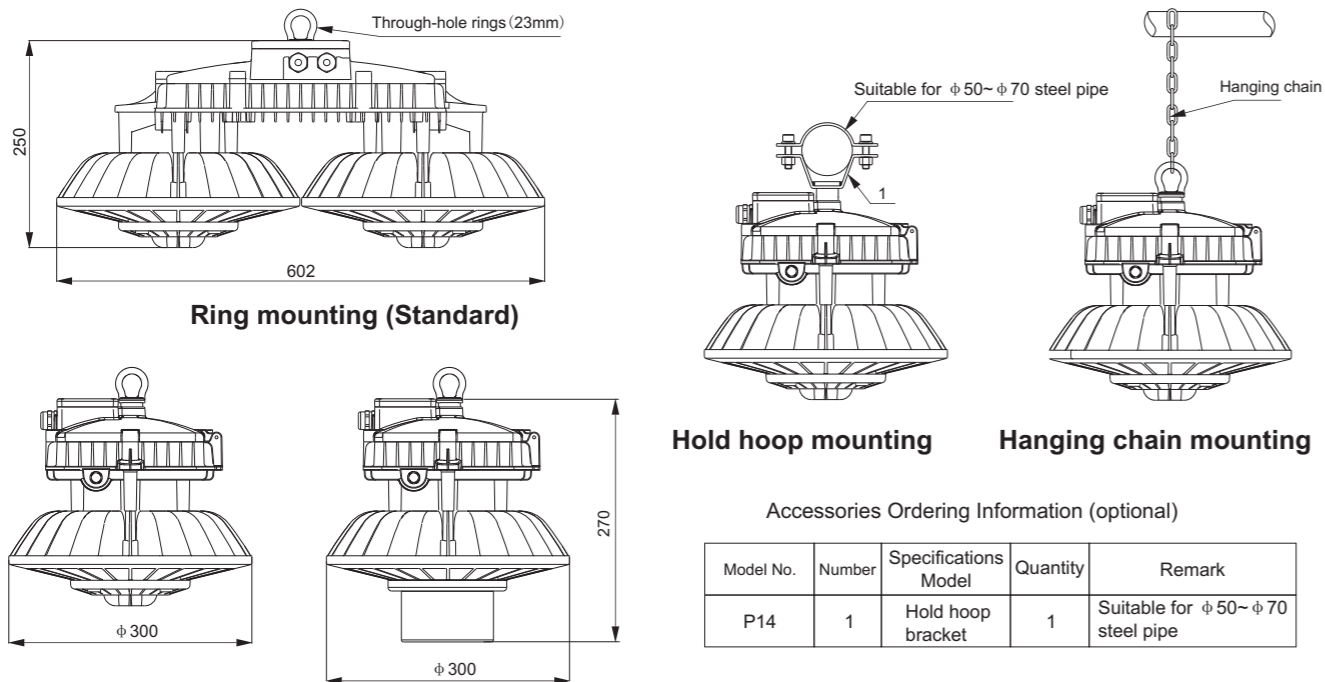
Ordering Reference

| Model Number | Picture | Rated Wattage (W) | Light output (lm) | Space height ratio | Mounting height (m) | Light distribution Curve(1000cd/lm) | Equivalent to MH |
|------------------|---------|-------------------|-------------------|--------------------|---------------------|-------------------------------------|------------------|
| ZY8606P-L300-18° | | 300W | 28800 | 0.4 | 25-45m | | 600W |
| ZY8606P-L400-25° | | 400W | 40600 | | | | 1000W |
| ZY8606P-L480-25° | | 480W | 47400 | | | | >1000W |

Ordering Reference

| Model Number | Picture | Rated wattage (W) | Light output (lm) | Space height ratio | Mounting height (m) | Light distribution Curve(1000cd/lm) | Equivalent to MH |
|------------------|---------|-------------------|-------------------|--------------------|---------------------|-------------------------------------|------------------|
| ZY8606P-L240-40° | | 240W | 25800 | 0.7 | 15-30m | | 600W |
| ZY8606P-L300-40° | | 300W | 32800 | | | | 1000W |
| ZY8606P-L360-40° | | 360W | 37800 | | | | >1000W |
| ZY8606P-L240-60° | | 240W | 25500 | 0.9 | 15-30m | | 600W |
| ZY8606P-L300-60° | | 300W | 32400 | | | | 1000W |
| ZY8606P-L400-60° | | 400W | 45200 | | | | >1000W |
| ZY8606P-L480-60° | | 480W | 55300 | 1.35 | 15-30m | | / |
| ZY8606P-L240-80° | | 240W | 26000 | | | | 600W |
| ZY8606P-L300-80° | | 300W | 33100 | | | | 1000W |
| ZY8606P-L400-80° | | 400W | 46200 | | | | >1000W |
| ZY8606P-L480-80° | | 480W | 56500 | / | | | |

Drawing of dimension (Dimensions in mm)



Accessories Ordering Information (optional)

| Model No. | Number | Specifications Model | Quantity | Remark |
|-----------|--------|----------------------|----------|-----------------------------------|
| P14 | 1 | Hold hoop bracket | 1 | Suitable for φ 50~φ 70 steel pipe |



Application

Suitable for offshore platform equipment, cargo terminal, stockyard and other high, medium installation height wet corrosive environments.



Characteristics

- Super power, maximum power up to 480W, can replace more than 1000W metal halide lamps and sodium lamps.
- Housing made of special aluminum processing, hardware and brackets adopt 304 stainless steel, using high-tech anti-corrosion surface treatment technology, can be long-term suitable for seaside, chlor-alkali, hydrogen sulfide and other highly corrosive areas.
- Superconducting aluminum comprehensive self-loop thermal design, long-term suitable for operating environment with high temperature and high humidity. Upper and lower ventilation fin structure, no dust.
- Variety of light distribution, variety of installation types, same shape, an effective solution to beautify workshop and device platform.
- It adopts Imported light source, no dark zone in light spot, no ghosting, can save 60% or more on energy than the metal halide lamp.
- AC and DC wide voltage constant power supply, power factor above 0.98.
- It can quickly replace the light source without welding.
- Independent wiring chamber, safe and convenient for installation and maintenance.
- According to user needs, can choose light fixtures with a variety of intelligent control.

Main Specification

| Item | Technical Parameters |
|---------------------------|-----------------------------|
| Input voltage range (V) | 90~305VAC |
| Rated frequency | 50Hz / 60Hz |
| Light source | LED |
| Life time (h) | 50,000 |
| CRI | Ra 70 (80 optional) |
| CCT | 5000K(3000K/4000K optional) |
| Leading-in cable diameter | φ 8mm~φ 12mm |
| Dimension (mm) | 602×250×340 |
| Net weight (kg) | 13 |

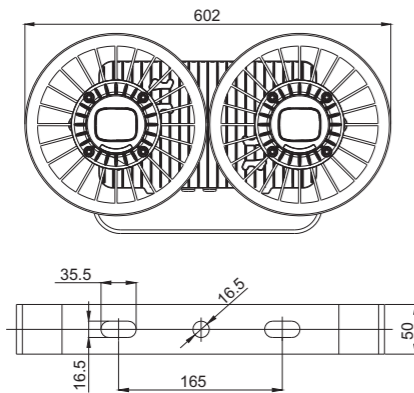
Ordering Reference

| Model Number | Picture | Rated wattage (W) | Light output (lm) | Space height ratio | Mounting height (m) | Light distribution Curve(1000cd/lm) | Equivalent to MH |
|------------------------|---------|-------------------|-------------------|--------------------|---------------------|-------------------------------------|------------------|
| ZY8606S□ -L240-60°×80° | | 240W | 27200 | 1.35 | 15-25m | | 600W |
| ZY8606S□ -L300-60°×80° | | 300W | 34600 | | | | 1000W |
| ZY8606S□ -L400-60°×80° | | 400W | 46600 | | | | >1000W |
| ZY8606S□ -L480-60°×80° | | 480W | 53400 | | | | / |

| Model Number | Picture | Rated wattage (W) | Light output (lm) | Space height ratio | Mounting height (m) | Light distribution Curve(1000cd/lm) | Equivalent to MH |
|-------------------------|---------|-------------------|-------------------|--------------------|---------------------|-------------------------------------|------------------|
| ZY8605S□ -L240-90°×110° | | 240W | 25200 | 1.4 | 15~20m | | 600W |
| ZY8605S□ -L300-90°×110° | | 300W | 32000 | | | | 1000W |
| ZY8605S□ -L400-90°×110° | | 400W | 44000 | | | | > 1000W |
| ZY8605S□ -L480-90°×110° | | 480W | 50600 | | | | / |

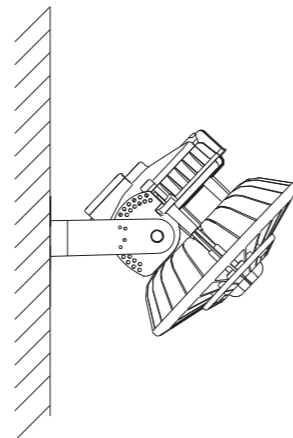
Note 1: the above model with light for the recommended distribution, but also according to the actual need to choose other light distribution.
 Note 2: order number "□" according to the actual installation needs fill in 1 or 2, S1 straight stent, S2 angle bracket.

Drawing of dimension (Dimensions in mm)



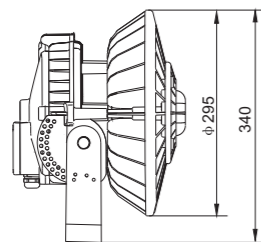
Installation Dimension

Side wall mounting



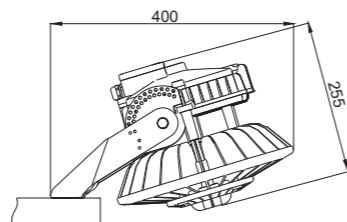
ZY8606S1

Seat mountingS1



ZY8606S1

Seat mountingS2



ZY8606S2



Characteristics

- Super power, maximum power up to 480W, can replace more than 1000W metal halide lamps and sodium lamps.
- Housing made of special aluminum processing, hardware and brackets adopt 304 stainless steel, using high-tech anti-corrosion surface treatment technology, can be long-term suitable for seaside, chlor-alkali, hydrogen sulfide and other highly corrosive areas.
- Superconducting aluminum comprehensive self-loop thermal design, long-term suitable for operating environment with high temperature and high humidity. Upper and lower ventilation fin structure, no dust.
- Variety of light distribution, variety of installation types, same shape, an effective solution to beautify workshop and device platform.
- It adopts Imported light source, no dark zone in light spot, no ghosting, can save 60% or more on energy than the metal halide lamp.
- AC and DC wide voltage constant power supply, power factor above 0.98.
- It can quickly replace the light source without welding.
- Independent wiring chamber, safe and convenient for installation and maintenance.
- According to user needs, can choose light fixtures with a variety of intelligent control.

Application

Suitable as long distance cast lighting for offshore platform equipment, cargo terminal, stockyard and other high, medium installation height wet corrosive environments.


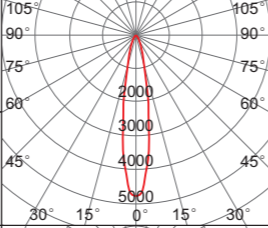

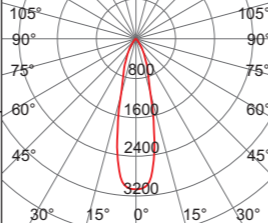

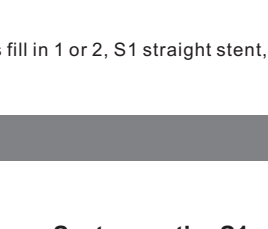
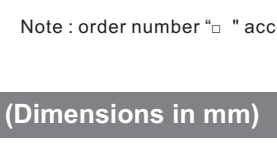
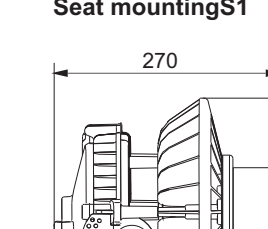


Main Specification

| Item | Technical Parameters |
|---------------------------|-----------------------------|
| Input voltage range (V) | 90~305VAC |
| Rated frequency | 50Hz / 60Hz |
| Light source | LED |
| Life time (h) | 50,000 |
| CRI | Ra 70 (80 optional) |
| CCT | 5000K(3000K/4000K optional) |
| Leading-in cable diameter | φ 8mm~ φ 12mm |
| Dimension (mm) | 602×270×340 |
| Net weight (kg) | 13.5 |

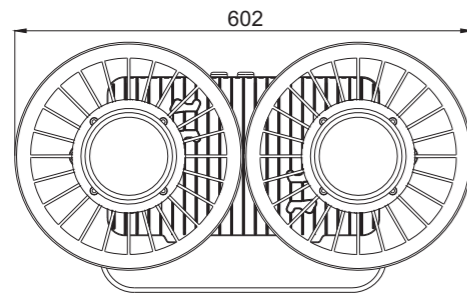


Ordering Reference

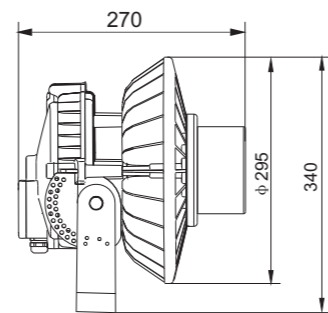
| Model Number | Picture | Rated wattage (W) | Light output (lm) | Light distribution Curve(1000cd/lm) | Equivalent to MH |
|--------------------|--|-------------------|-------------------|--|------------------|
| ZY8606S□ -L240-18° |  | 240W | 23000 |  | 600W |
| ZY8606S□ -L300-18° |  | 300W | 29200 |  | 600W-1000W |
| ZY8606S□ -L400-25° |  | 400W | 40600 |  | 1000W |
| ZY8606S□ -L480-25° |  | 480W | 47000 |  | > 1000W |

Note : order number "□" according to the actual installation needs fill in 1 or 2, S1 straight stent, S2 angle bracket.

Drawing of dimension (Dimensions in mm)

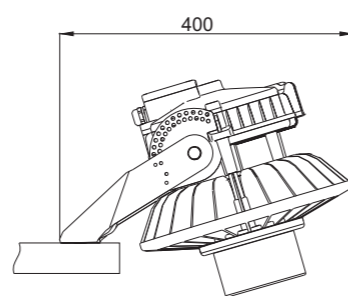


Seat mountingS1

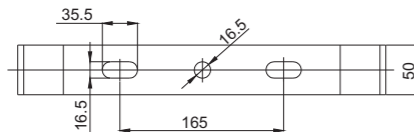


ZY8606S1

Seat mountingS2



ZY8606S2



Installation Dimension



Application

This product is widely used in the plant roads, highways at all levels, urban roads as street lighting.

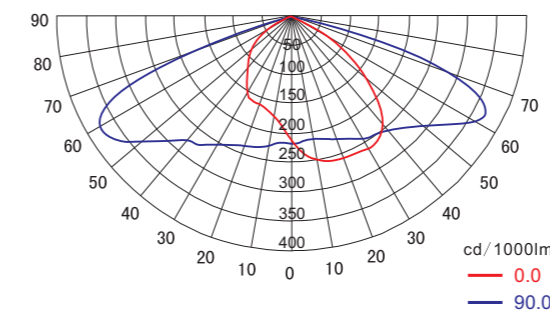
Characteristics

- Apply the design of lens with different angles, make irradiation surface wider, fully effective use of light. Illumination uniformity, no glare, does not cause eyestrain of workers, improve work efficiency.
- Modular design could solve the difficult maintenance problem of conventional LED lighting. You can achieve module replacement without opening light fixtures.
- Professional street lighting design, can save 60% or more on energy than the metal halide lamp.
- Equipped with electrical appliance of Meanwell or other world top ranking brand, AC and DC wide voltage constant power supply, power factor up to 0.98.
- Lamps internal components with anti-10KV lightning, effectively avoid risk of failure caused by high altitude lightning.
- Housing made of aluminum alloy processing, standard 304 stainless steel materials, using high-tech anti-corrosion surface treatment technology, suitable for a variety of harsh industrial operating environment.
- According to user needs, can choose light fixtures with a variety of intelligent control.

Main Specification

| Item | Technical Parameters |
|-------------------------|----------------------|
| Input voltage range (V) | 90~305VAC |
| Rated frequency | 50Hz / 60Hz |
| Light source | LED |
| Life time (h) | 50,000 |
| CRI | Ra 75 |
| CCT | 5000K ±250K |
| Space height ratio | 3.5 |

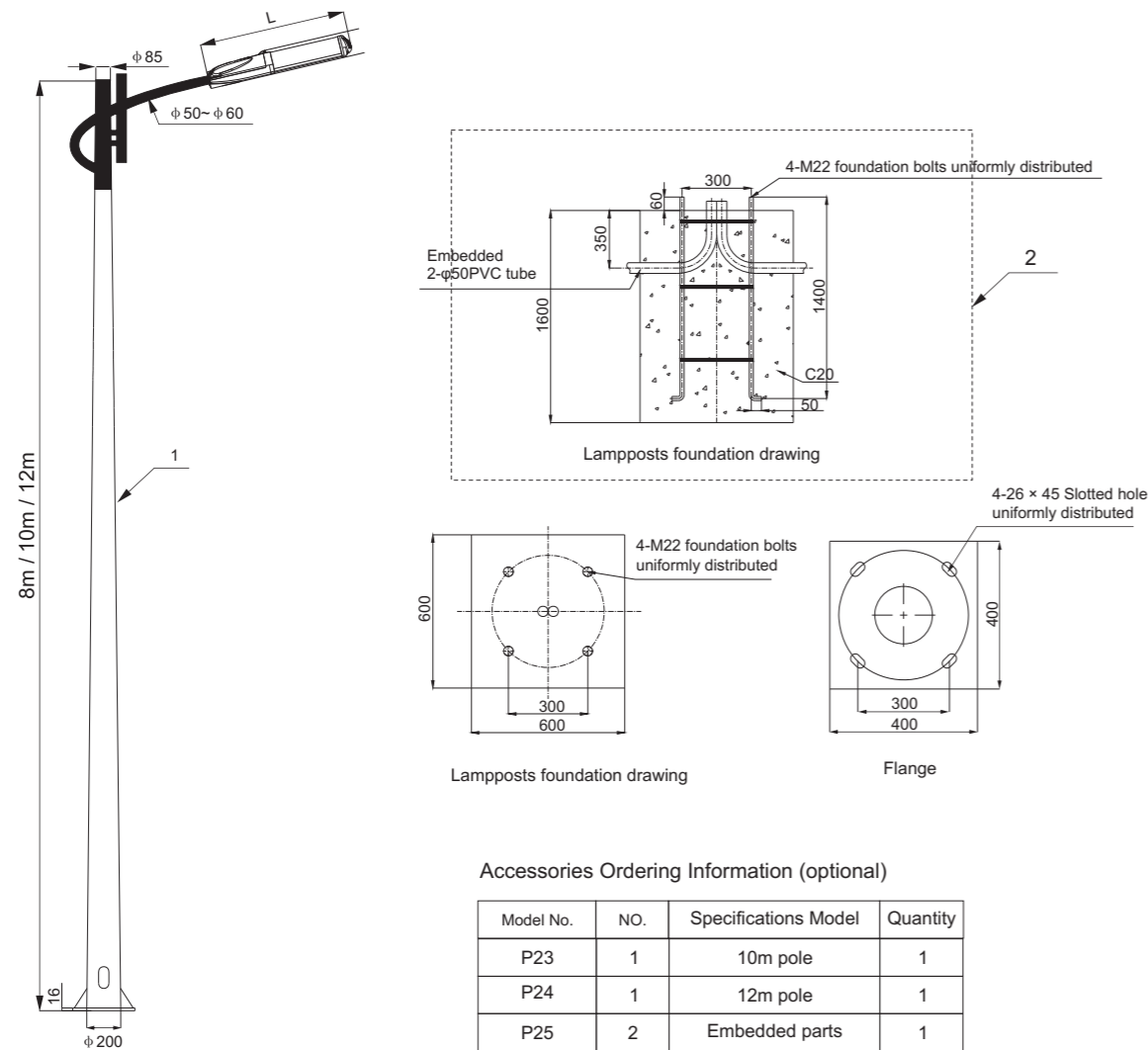
Light Distribution Curve



Ordering Reference

| Model Number | Rated wattage (W) | Light output (lm) | Size (mm) | Mounting height (m) | Net weight (Kg) | Equivalent to |
|--------------|-------------------|-------------------|----------------|---------------------|-----------------|-------------------|
| | | | | | | Metal Halide Lamp |
| ZY8702-L60 | 60W | 6600 | 520(L)×315×100 | 6~8 | 6.5 | 150W |
| ZY8702-L80 | 80W | 8800 | 520(L)×315×100 | | 6.5 | 175W~250W |
| ZY8702-L100 | 100W | 11000 | 520(L)×315×100 | 8~12 | 6.5 | 250W |
| ZY8702-L120 | 120W | 13200 | 520(L)×315×100 | | 6.5 | 250W~400W |
| ZY8702-L150 | 150W | 16500 | 615(L)×315×100 | 12~15 | 7.5 | 400W |
| ZY8702-L180 | 180W | 18900 | 615(L)×315×100 | | 7.5 | 600W |
| ZY8702-L240 | 240W | 25200 | 710(L)×315×100 | | 8.5 | 600W~800W |

Drawing of dimension (Dimensions in mm)



Accessories Ordering Information (optional)

| Model No. | NO. | Specifications Model | Quantity |
|-----------|-----|----------------------|----------|
| P23 | 1 | 10m pole | 1 |
| P24 | 1 | 12m pole | 1 |
| P25 | 2 | Embedded parts | 1 |

Single arm installation (pole optional)

Application

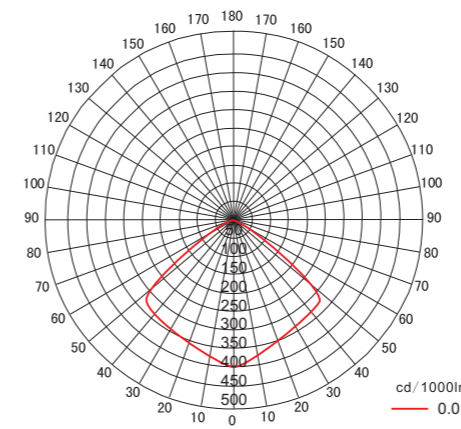
Suitable for walkways, tunnels, trenches and other indoor lighting.

Characteristics

- It can save 60% or more on energy than the metal halide lamp.
- It adopts domestic brand power supply with AC and DC wide voltage constant power, power factor above 0.98.
- Using reflective cup design, non-glare, does not cause eye fatigue of workers, improve work efficiency.
- Housing made of aluminum alloy processing, standard parts with 304 stainless steel, using high-tech anti-corrosion surface treatment technology, suitable for a variety of harsh industrial operating environment
- Transparent parts adopt imported optical grade PC, high transmittance, good impact resistance, let lights work in a variety of harsh environments.



Light distribution Curve



Main Specification

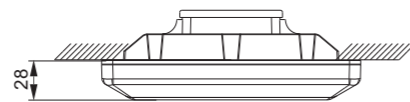
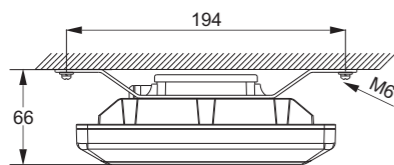
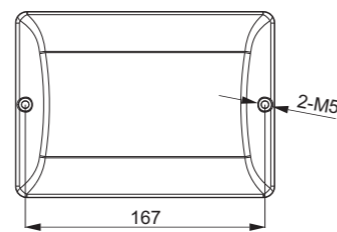
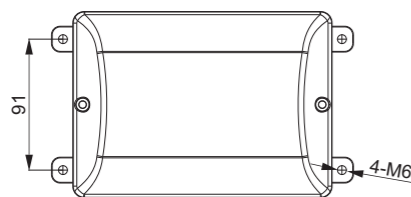
| Item | Technical Parameters |
|-------------------------|-------------------------------|
| Input voltage range (V) | 90~264VAC; 18~43VAC; 18~55VDC |
| Rated frequency | 50Hz / 60Hz |
| Light source | LED |
| Life time (h) | 50,000 |
| CRI | Ra 75 |
| CCT | 5000K ±250K |
| Dimension (mm) | 180 × 130 × 65 |
| Net weight (kg) | 1 |



Ordering Reference

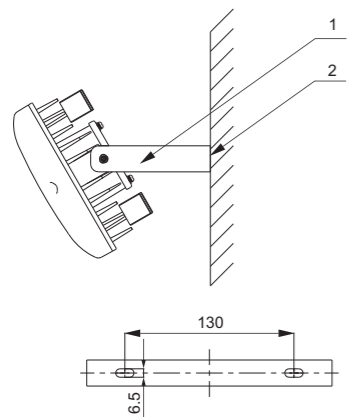
| Model Number | Input voltage (V) | Rated Wattage (W) | Light output (lm) | Space height ratio | Mounting height (m) | Equivalent to Fluorescent Lamp |
|--------------|-----------------------|-------------------|-------------------|--------------------|---------------------|--------------------------------|
| ZY8800-L6 | 90~264VAC | 6W | 600 | 1.2 | 2~4m | 12W |
| ZY8800-L12 | | 12W | 1200 | | | 22W |
| ZY8800-L20 | | 20W | 1700 | | | 45W |
| ZY8800-L6L | 18~43VAC; 18~55VDC | 6W | 600 | 1.2 | 2~4m | 12W |
| ZY8800-L12L | | 12W | 1200 | | | 22W |
| ZY8800-L20L | | 20W | 1700 | | | 45W |

Drawing of dimension (Dimensions in mm)



Ceiling mounting(Standard)

Embedded mounting



Wall mounting dimensions (optional)

Accessories Ordering Information (optional)

| Model No. | NO. | Specifications Model | Quantity |
|-----------|-----|----------------------|----------|
| P18 | 1 | Ceiling type Bracket | 1 |
| | 2 | Positioning plate | 2 |



Characteristics

- Radiator adopts comprehensive self-loop thermal design, long-term suitable for operating environment with high temperature and high humidity. Upper and lower ventilation fin structure, no dust.
- Variety of light distribution, variety of installation types, same shape, an effective solution to beautify workshop and device platform.
- It adopts imported light source, no dark zone in light spot, no ghosting, can save 60% or more on energy than the metal halide lamp.
- AC and DC wide voltage constant power supply, Power factor up to 0.98.
- It can achieve quickly scene replacement of light source and electrical without welding.
- The locking device on the bracket will keep the lamp from shift or trembling during harsh vibration.
- Housing made of aluminum alloy processing, standard parts with 304 stainless steel, using high-tech anti-corrosion surface treatment technology, suitable for a variety of harsh industrial operating environment.
- Frontal area is only 30% of the traditional light fixture, suitable for high altitude and strong wind area.
- According to user needs, can choose light fixtures with a variety of intelligent control.

Application

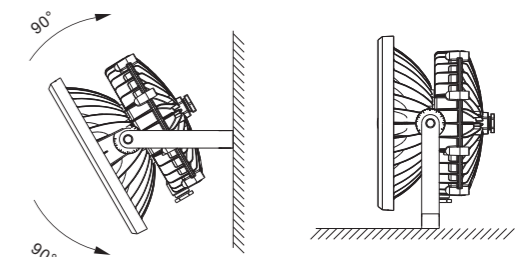
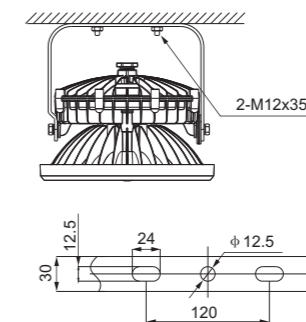
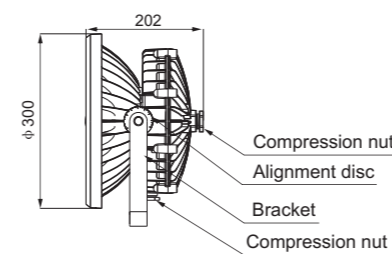
Chemical plants, docks, metallurgical plants and other high-temperature performance for demanding industrial environments.



Main Specification

| Item | Technical Parameters |
|---------------------------|-----------------------------|
| Input voltage range (V) | 90~305VAC |
| Rated frequency | 50Hz / 60Hz |
| Light source | LED |
| Life time (h) | 50,000 |
| CRI | Ra 70 (80 optional) |
| CCT | 5000K(3000K/4000K optional) |
| Leading-in cable diameter | φ 9mm~ φ 14mm |
| Dimension (mm) | φ 300×202 |
| Net weight (kg) | 6.3 |

Drawing of dimension (Dimensions in mm)



Installation Dimensions

Bracket mounting (Standard)

Ordering Reference

| Model Number | Picture | Rated wattage (W) | Light output (lm) | Space height ratio | Mounting height (m) | Light distribution Curve(1000cd/lm) | Equivalent to MH |
|----------------------|---------|-------------------|-------------------|--------------------|---------------------|-------------------------------------|------------------|
| ZY9710-L80-40° | | 80W | 8600 | 0.7 | 8~12m | | 175W |
| ZY9710-L100-40° | | 100W | 11200 | | | | 250W |
| ZY9710-L120-40° | | 120W | 12900 | | >250W | | |
| ZY9710-L150-40° | | 150W | 15600 | | 400W | | |
| ZY9710-L180-40° | | 180W | 16800 | | >400W | | |
| ZY9710-L80-60° | | 80W | 8600 | 0.9 | 8~12m | | 175W |
| ZY9710-L100-60° | | 100W | 11200 | | | | 250W |
| ZY9710-L120-60° | | 120W | 12900 | | >250W | | |
| ZY9710-L150-60° | | 150W | 15500 | | 400W | | |
| ZY9710-L200-60° | | 200W | 21900 | | >400W | | |
| ZY9710-L80-80° | | 80W | 8800 | 1.35 | 8~12m | | 175W |
| ZY9710-L100-80° | | 100W | 11500 | | | | 250W |
| ZY9710-L120-80° | | 120W | 13200 | | >250W | | |
| ZY9710-L150-80° | | 150W | 15900 | | 400W | | |
| ZY9710-L200-80° | | 200W | 22300 | | >400W | | |
| ZY9710-L80-100° | | 80W | 8900 | 1.4 | 8~12m | | 175W |
| ZY9710-L100-100° | | 100W | 11600 | | | | 250W |
| ZY9710-L120-100° | | 120W | 13400 | | >250W | | |
| ZY9710-L150-100° | | 150W | 16100 | | 400W | | |
| ZY9710-L200-100° | | 200W | 22700 | | >400W | | |
| ZY9710-L80-60°×80° | | 80W | 9000 | 1.25 | 8~12m | | 175W |
| ZY9710-L100-60°×80° | | 100W | 11800 | | | | 250W |
| ZY9710-L120-60°×80° | | 120W | 13600 | | >250W | | |
| ZY9710-L150-60°×80° | | 150W | 16400 | | 400W | | |
| ZY9710-L200-60°×80° | | 200W | 22100 | | >400W | | |
| ZY9710-L80-90°×110° | | 80W | 8400 | 1.75 | 8~12m | | 175W |
| ZY9710-L100-90°×110° | | 100W | 11000 | | | | 250W |
| ZY9710-L120-90°×110° | | 120W | 12600 | | >250W | | |
| ZY9710-L150-90°×110° | | 150W | 15200 | | 400W | | |
| ZY9710-L200-90°×110° | | 200W | 20900 | | >400W | | |

IP 65

Ta 40

Ta -20



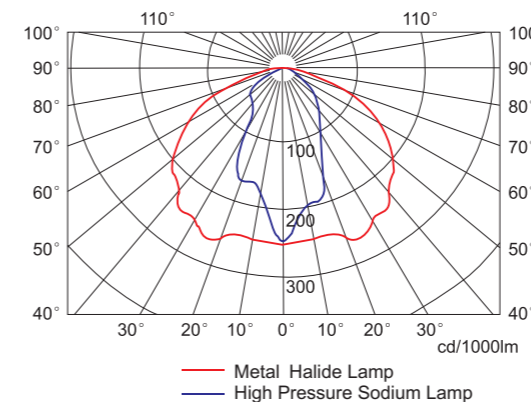
Application

Suitable as place lighting for power plants, chemical device platform, substations, small and medium plants, channels and etc.

Characteristics

- It adopts OSRAM brand light source, reliable performance.
- Using anti-glare glass design, can reduce irritation to worker's eyes, avoid discomfort and fatigue.
- Light fixtures is designed with shrapnel locking device, keep installation and maintenance more efficient and convenient
- Multiple shock proof structure design and high-strength alloy casing, ensure that products can long-term work safely in roadbed, track, tunnel and other high-frequency vibration environment.
- Special sealed and surface coating processing, can ensure the light fixtures Corrosion-resistant and non-rust in the humid, high temperature and other harsh environments.
- A variety of installation types, like seat, ceiling and wall-mounted. Light angle can be adjusted in up and down (180 °) range according to the environment.

Light distribution Curve



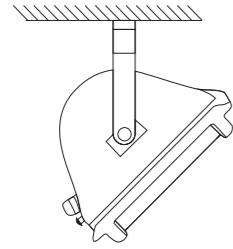
Main Specification

| Item | Technical Parameters |
|-------------------------------|----------------------|
| Input voltage (V) | 220VAC |
| Rated frequency | 50Hz |
| Life time of light source (h) | 10,000 |
| Light source | Metal Halide Lamp |
| Leading-in cable diameter | φ 6mm~ φ 8mm |
| Dimension (mm) | 340×293×208 |
| Net weight (kg) | 4 |

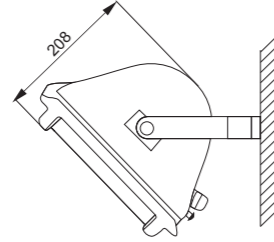
Ordering Reference

| Model Number | Rated wattage (W) | Light output (lm) | Space height ratio | Mounting height (m) |
|--------------|-------------------|-------------------|--------------------|---------------------|
| ZY8100-J70 | 70W | 5500 | 4.5 | 2~8m |
| ZY8100-J100 | 100W | 9000 | | |
| ZY8100-J150 | 150W | 13000 | | |

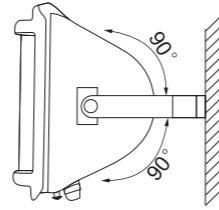
Drawing of dimension (Dimensions in mm)



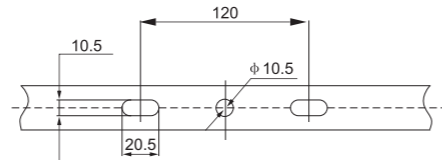
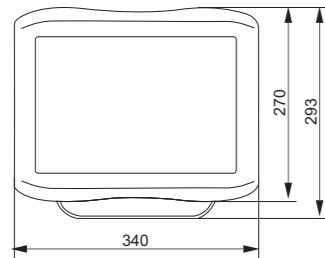
Ceiling mounting



Side wall mounting



Rotary freely installation



Installation Dimension



IP 65

Ta 40

Ta -20



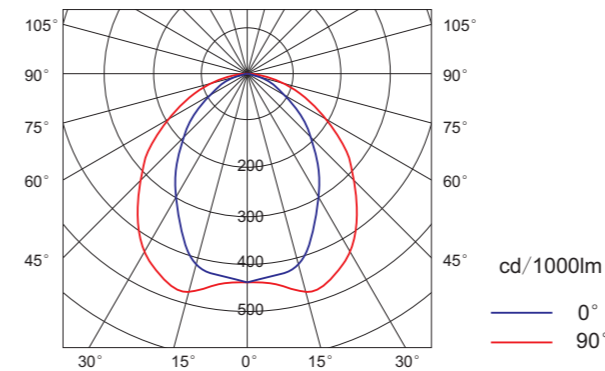
Application

This product is widely used in factories, workshops, substations and other places for flood lighting.

Characteristics

- It adopts OSRAM brand light source, reliable performance
- Housing has an compact breathing apparatus, balance internal and external pressure, completely eliminate the condensation phenomena.
- Adopts diffuse reflection technology and protection angle design, can effectively prevent glare, light soft evenly.
- Mounting bracket has adjustment function settings, illumination angle can be adjusted up and down.
- Light body with hand screw, tighten and open more convenient.
- According to customer requirement, mounting bracket optional.

Light distribution Curve



Main Specification

| Item | Technical Parameters |
|-------------------------------|----------------------|
| Input voltage (V) | 220VAC |
| Rated frequency | 50Hz |
| Life time of light source (h) | 10,000 |
| Light source | Metal Halide Lamp |
| Leading-in cable diameter | φ 10mm~ φ 12mm |
| Dimension (mm) | 520×400×175 |
| Net weight (kg) | 14 |

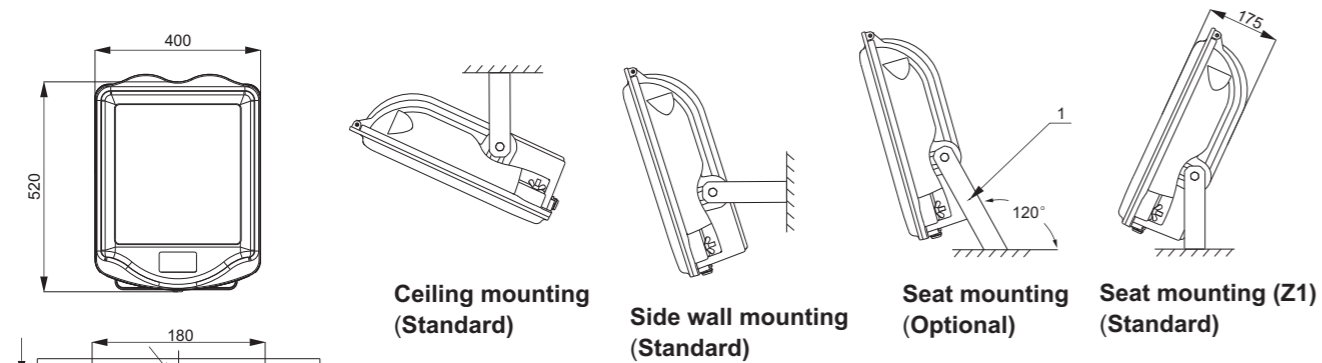


TORMIN ZY8200 Series Anti Glare Street Light

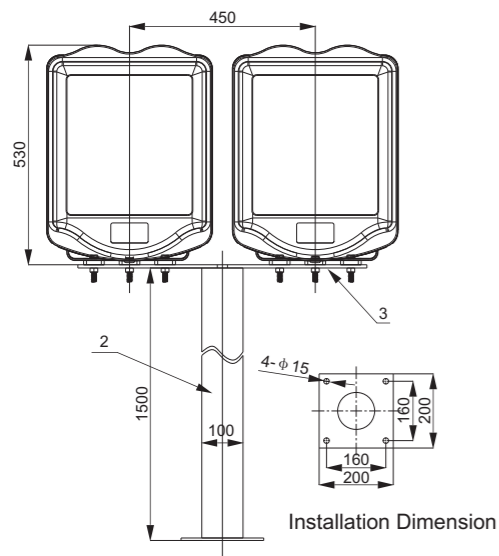
Ordering Reference

| Model Number | Rated wattage (W) | Light output (lm) | Space height ratio | Mounting height (m) |
|--------------|-------------------|-------------------|--------------------|---------------------|
| ZY8200-J250 | 250W | 24500 | 2.2 | 4~10m |
| ZY8200-J400 | 400W | 35300 | | |

Drawing of dimension (Dimensions in mm)



Installation Dimension



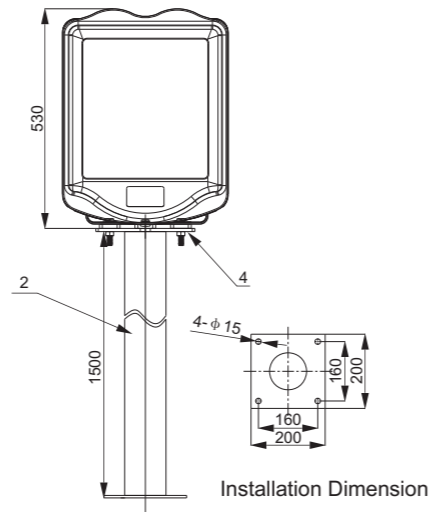
Pole mounting (optional)

Accessories Ordering Information (optional)

| Model No. | NO. | Specifications Model | Quantity |
|-----------|-----|----------------------|----------|
| P20 | 2 | Mounting bracket | 1 |
| | 3 | Double slotted rod | 1 |

Accessories Ordering Information (optional)

| Model No. | No. | Specifications Model | Quantity |
|-----------|-----|----------------------|----------|
| P19 | 1 | 60° Bracket | 1 |



Pole mounting (optional)

Accessories Ordering Information (optional)

| Model No. | NO. | Specifications Model | Quantity | Remark |
|-----------|-----|----------------------|----------|---|
| P21 | 2 | Mounting bracket | 1 | Length according to customer requirements |
| | 4 | Single slotted rod | 1 | |

ZY8300 Series Super Shockproof Spotlights

TORMIN

IP 65

Ta 40

Ta -20



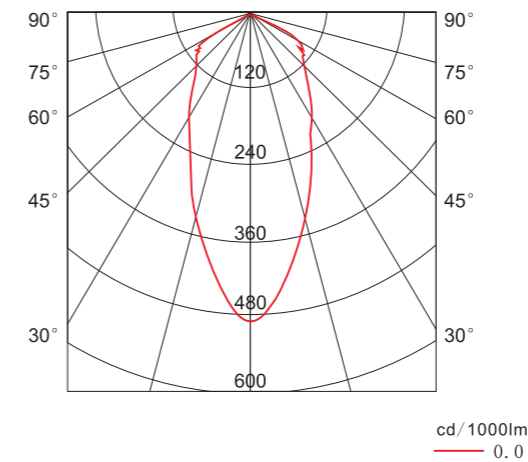
Application

Applicable to the plant, a large plant, railway, bridge and other places for cast lighting.

Characteristics

- It adopts OSRAM brand light source, reliable performance
- Housing has a compact breathing apparatus, balance internal and external pressure, completely eliminate the condensation phenomena.
- It adopts inside and outside anti-earthquake design, effective solve lamp fall off, lamp life shortened, stent fracture and other issues due to strong vibrations.
- Electrical box with a unique cooling structure, using thermal heat transfer mode accelerates heat transfer, effectively guarantee efficient cooling ballast, which can effectively guarantee electrical service life.
- Electrical box adopts snap-on installation, you can hand open electrical box, making installation and repair more convenient and faster.
- It adopts lightweight alloys and high-tech spray technology, the shell does not rust, no corrosion.
- Use trim new technology to ensure shell integrity is good, reliable seal, waterproof and dustproof.

Light distribution Curve



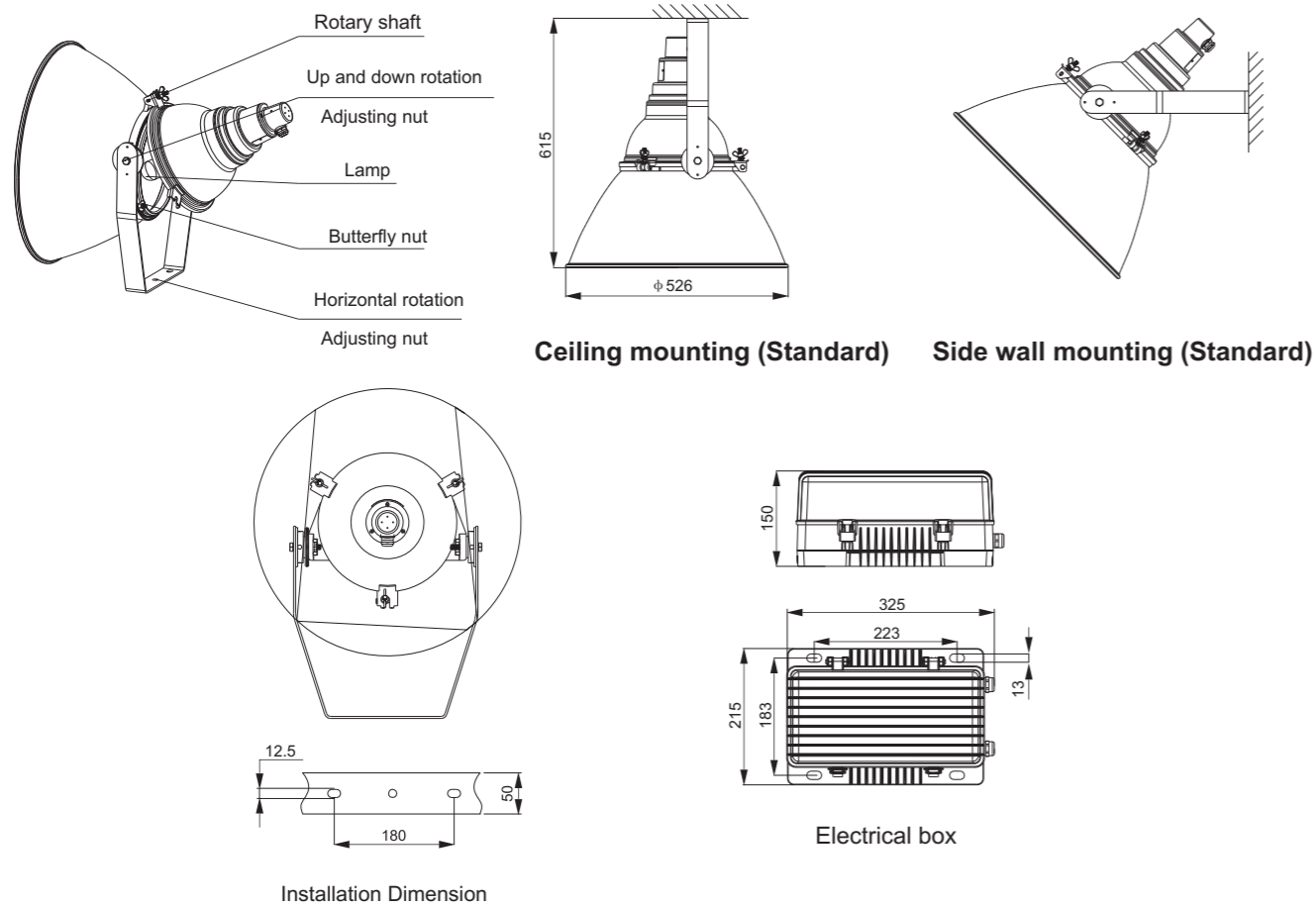
Main Specification

| Item | Technical Parameters |
|-------------------------------|---|
| Input voltage (V) | 220VAC |
| Rated frequency | 50Hz |
| Life time of light source (h) | 12,000 |
| Light source | Metal Halide Lamp |
| Leading-in cable diameter | $\phi 8\text{mm} \sim \phi 10\text{mm}$ |
| Dimension (mm) | Lamp: $\phi 526 \times 615$ |
| | Electrical box: $325 \times 215 \times 150$ |
| Net weight (kg) | Lamp: 7.5 |
| | Electrical box: 15 |

Ordering Reference

| Model Number | Rated Wattage (W) | Light output (lm) | Space height ratio | Mounting height (m) |
|--------------|-------------------|-------------------|--------------------|---------------------|
| ZY8300-J1000 | 1000W | 65000 | 1.3 | 10~35m |

Drawing of dimension (Dimensions in mm)



IP
65

Ta
40

Ta
-20



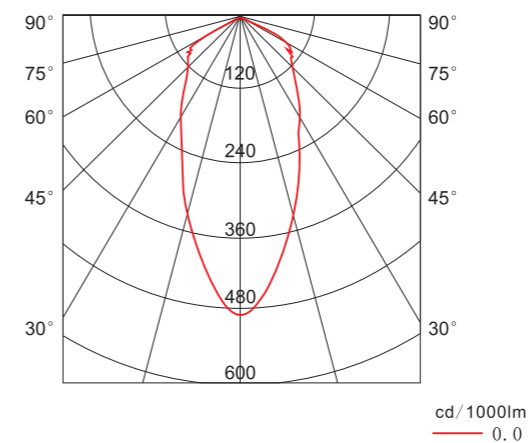
Application

Suitable for plant, medium and large factories, railway, bridge and other places for cast lighting.

Characteristics

- It adopts OSRAM brand light source, reliable performance.
- Housing has an compact breathing apparatus, balance internal and external pressure, completely eliminate the condensation phenomena.
- It adopts inside and outside anti-earthquake design, effective solve lamp fall off, lamp life shortened, stent fracture and other issues due to strong vibrations.
- Electrical box with a unique cooling structure, using thermal heat transfer mode accelerates heat transfer, effectively guarantee efficient cooling ballast, which can effectively guarantee electrical service life.
- Electrical box adopts snap-on installation, you can hand open electrical box, making installation and repair more convenient and faster.
- It adopts lightweight alloys and high-tech spray technology, the shell does not rust, no corrosion.
- Use trim new technology to ensure shell integrity is good, reliable seal, waterproof and dustproof.

Light distribution Curve



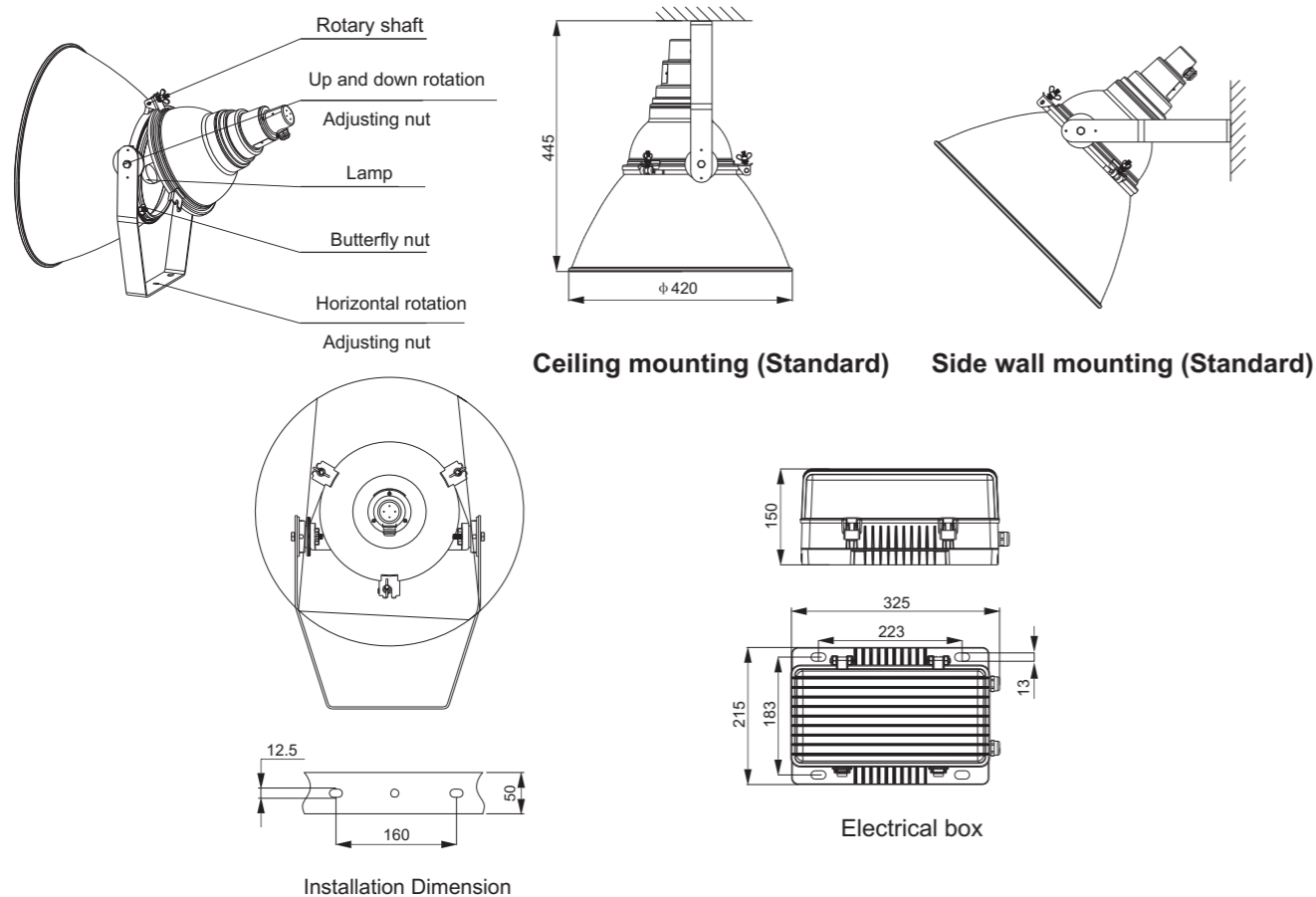
Main Specification

| Item | Technical Parameters |
|-------------------------------|-----------------------------|
| Input voltage (V) | 220VAC |
| Rated frequency | 50Hz |
| Life time of light source (h) | 12, 000 |
| Light source | Metal Halide Lamp |
| Leading-in cable diameter | φ 8mm~ φ 10mm |
| Dimension (mm) | Lamp: φ 420×445 |
| | Electrical box: 325×215×150 |
| Net weight (kg) | Lamp: 72 |
| | Electrical box: 8 |

Ordering Reference

| Model Number | Rated wattage (W) | Light output (lm) | Space height ratio | Mounting height (m) |
|--------------|-------------------|-------------------|--------------------|---------------------|
| ZY8310-J250 | 250W | 24500 | 1.3 | 6~10m |
| ZY8310-J400 | 400W | 35300 | | |

Drawing of dimension (Dimensions in mm)



IP 65

Ta 40

Ta -20



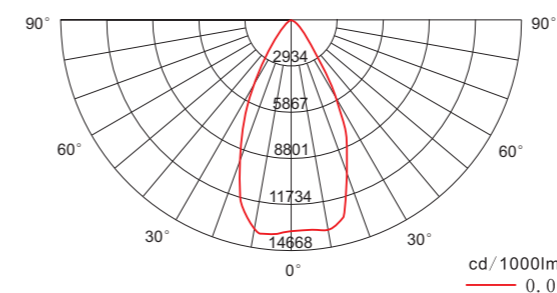
Application

Suitable for steel mills, power plants, warehouses, workshops and other places lighting.

Characteristics

- The products use 250W metal halide lamp, which can replace traditional 400W metal halide lamps, energy saving of nearly 40%.
- After accurate optical reflector design, 80% of the light is reflected to invest only after the first face, brightness uniformity, no bright spots, no dark areas; not only solve the technical problems that conventional reflector exists bright spots and dark areas, but also solve the common problem as the low light efficiency of sand surface lamp; light efficiency is far more than traditional specular reflector lamps, lighting uniformity better than sand surface reflector lamps.
- The inner surface of the reflector is coated with a high temperature resistant coating which has high reflectivity, also adopts a special oxidation treatment, brightness increased by 2 times higher than ordinary lamps.
- The light source adopts international famous brand, reliable performance, 20% higher brightness than similar products. Long average life time, eliminating trouble and inconvenience about frequent replacement of light bulbs.
- Humanized light body design, snap-on electrical box can be opened with hands, easy installation and maintenance.
- High strength aluminum alloy housing, adopt special sealing and surface electrostatic spray process, with good dust-proof, waterproof, anti-corrosion, non-rust.

Light distribution Curve



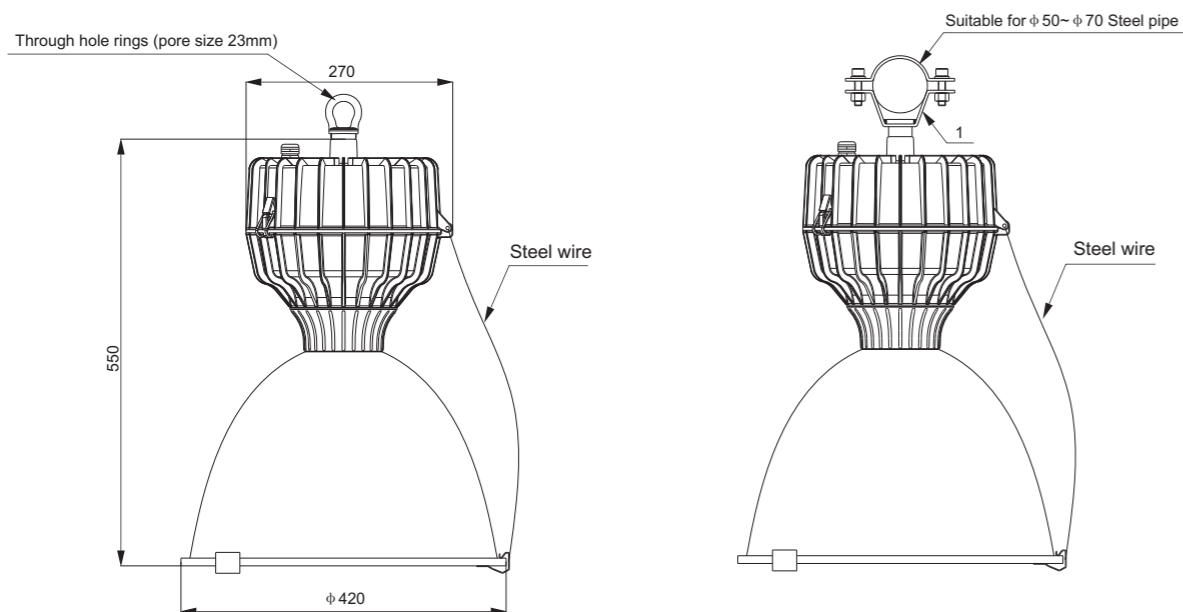
Main Specification

| Item | Technical Parameters |
|-------------------------------|----------------------|
| Input voltage (V) | 220VAC |
| Rated frequency | 50Hz |
| Life time of light source (h) | 12, 000 |
| Light source | Metal Halide Lamp |
| Leading-in cable diameter | φ 8mm~ φ 10mm |
| Dimension (mm) | φ 420×550 |
| Net weight (kg) | 11.2 |

Ordering Reference

| Model Number | Rated wattage (W) | Light output (lm) | Space height ratio | Mounting height (m) |
|--------------|-------------------|-------------------|--------------------|---------------------|
| ZY8510A-J250 | 250W | 24500 | 1.2 | 8~15m |
| ZY8510A-J400 | 400W | 35300 | | |

Drawing of dimension (Dimensions in mm)



Hanging mounting (Standard)

Hold hoop mounting (optional)

Accessories Ordering Information (optional)

| Model No. | No. | Specifications Model | Quantity | Remark |
|-----------|-----|----------------------|----------|------------------------------------|
| P14 | 1 | Hold hoop bracket | 1 | Suitable for φ 50~ φ 70 steel pipe |



IP 65

Ta 40

Ta -20



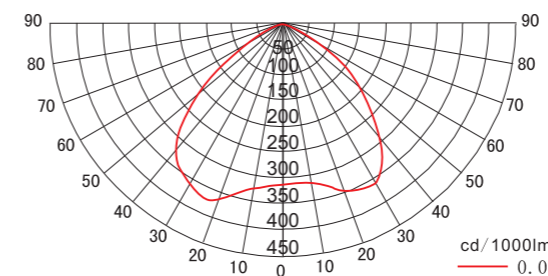
Application

This product is widely used in stations, factories, warehouses, indoor stadiums and other places lighting.

Characteristics

- The light source adopts international famous brand, reliable performance.
- Adopt imported reflective material, particularly suitable for a variety of high shelf, high top place as fixed lighting.
- Distinctive structure design and high quality materials, with good dust-proof, waterproof, anti-corrosion, non-rust.
- Electrical box with good thermal performance, prevent the too high temperature of the internal ballast to affect electrical life.
- Pendant, lanyards installation, safe, simple and convenient.

Light distribution Curve



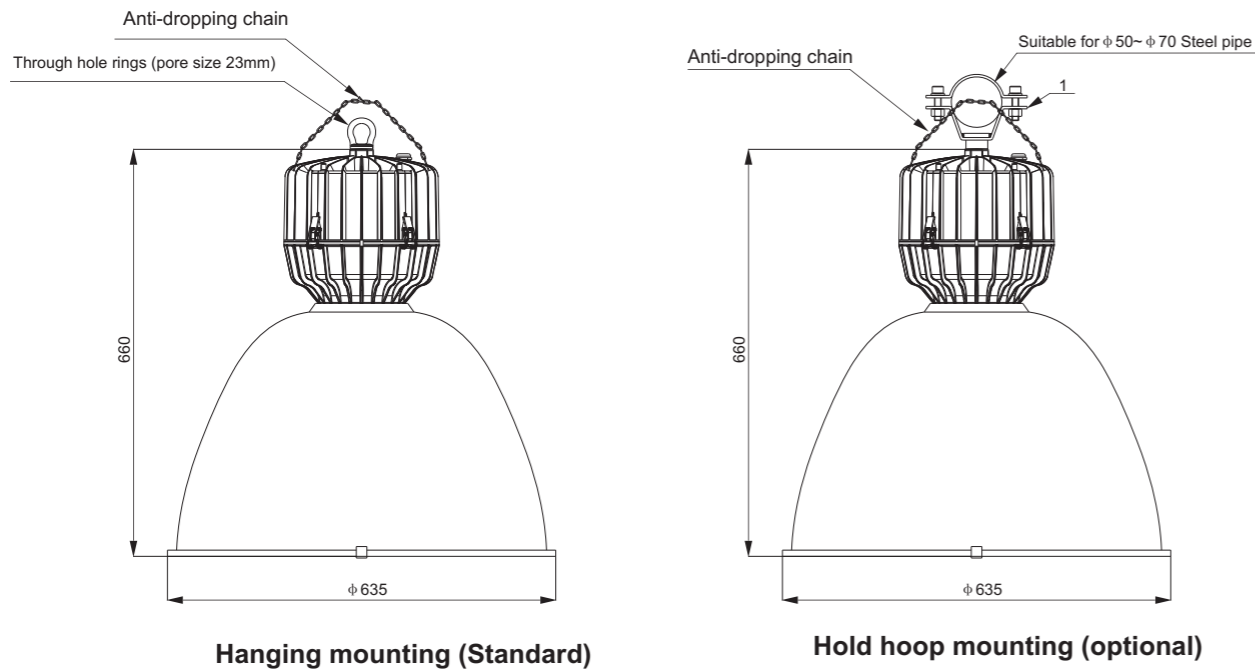
Main Specification

| Item | Technical Parameters |
|-------------------------------|----------------------|
| Input voltage (V) | 220VAC |
| Rated frequency | 50Hz |
| Light source | Metal Halide Lamp |
| Life time of light source (h) | 12,000 |
| Leading-in cable diameter | φ 8mm~ φ 10mm |
| Dimension (mm) | φ 635×660 |
| Net weight (kg) | 13.6 |

Ordering Reference

| Model Number | Rated wattage (W) | Light output (lm) | Space height ratio | Mounting height (m) |
|--------------|-------------------|-------------------|--------------------|---------------------|
| ZY8521-J1000 | 1000W | 65000 | 1.2 | 15-35m |

Drawing of dimension (Dimensions in mm)



Accessories Ordering Information (optional)

| Model No. | No. | Specifications Model | Quantity | Remark |
|-----------|-----|----------------------|----------|---------------------------------|
| P14 | 1 | Hold hoop bracket | 1 | Suitable for φ50~φ70 steel pipe |



IP 65

Ta 40

Ta -20



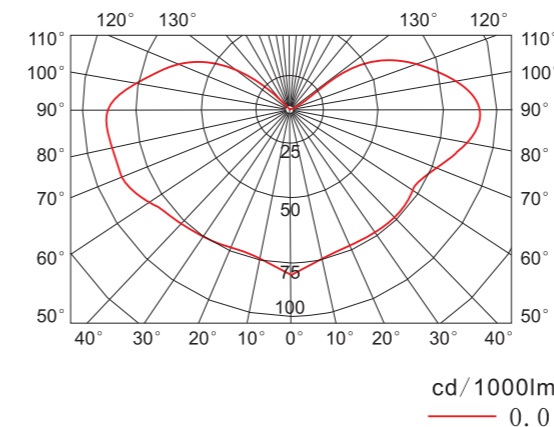
Application

The products are widely applicable to various power distribution room, the main plant, pump room, boiler room, corridor, bridge, bunker and other place for fixed lighting.

Characteristics

- It adopts OSRAM brand light source, reliable performance, 20% or more brightness than similar products.
- Lamps have cut power function, make the operation more secure.
- Using advanced optical principle optimize transparent parts design, soft lighting, illumination uniformity, no glare, no ghosting, effectively prevent workers produce visual fatigue.
- High strength aluminum alloy case, special sealed and surface coating processing, can be long-term used in hot and humid and corrosive harsh environments.
- A variety of installation likes seat, ceiling and the ceiling, suitable to different needs of the job site for lighting.
- According to needs of customers, can equip with protective cover for lamp.

Light distribution Curve



Main Specification

| Item | Technical Parameters |
|-------------------------------|----------------------|
| Input voltage (V) | 220VAC |
| Rated frequency | 50Hz |
| Light source | Metal Halide Lamp |
| Life time of light source (h) | 10,000 |
| Screw thread | G3/4" |
| Leading-in cable diameter | φ8mm~φ10mm |
| Dimension (mm) | 270×230×300 |
| Net weight (kg) | 6 |

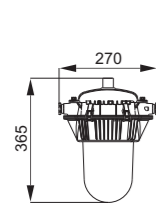
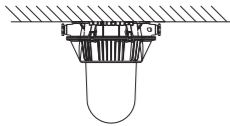


Ordering Reference

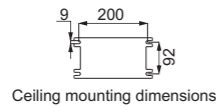
| Model Number | Rated wattage (W) | Light output (lm) | Space height ratio | Mounting height(m) |
|--------------|-------------------|-------------------|--------------------|--------------------|
| ZY8600-J70 | 70W | 5500 | 2 | 2~6m |
| ZY8600-J100 | 100W | 9000 | | |
| ZY8600-J150 | 150W | 13000 | | |

Drawing of dimension (Dimensions in mm)

Ceiling mounting (Standard)

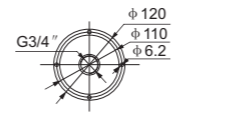
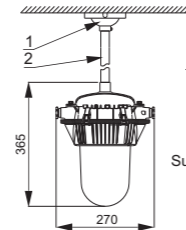


Standard



Ceiling mounting dimensions

Pole mounting

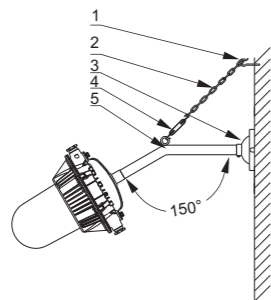


Suction cup mounting dimensions

Accessories Ordering Information (optional)

| Model No. | NO. | Specifications Model | Quantity |
|-----------|-----|---------------------------|----------|
| P14 | 1 | Suction cup | 1 |
| | 2 | 30cm straight pole(G3/4") | 1 |

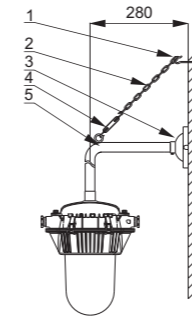
Wall mounting 150deg



Accessories Ordering Information (optional)

| Model No. | NO. | Specifications Model | Quantity |
|-----------|-----|----------------------|----------|
| P15 | 1 | Expansion screw hook | 1 |
| | 2 | Chain | 1 |
| | 3 | Suction cup | 1 |
| | 4 | C-C the turnbuckle | 1 |
| | 5 | 150°bend pole(G3/4") | 1 |

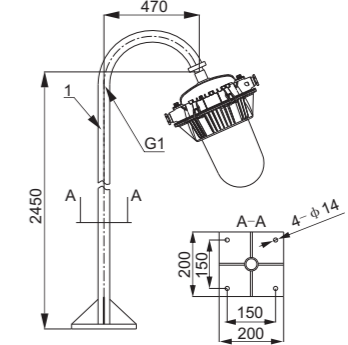
Wall mounting 90°



Accessories Ordering Information (optional)

| Model No. | NO. | Specifications Model | Quantity |
|-----------|-----|----------------------|----------|
| P16 | 1 | Expansion screw hook | 1 |
| | 2 | Chain | 1 |
| | 3 | Suction cup | 1 |
| | 4 | C-C the turnbuckle | 1 |
| | 5 | 90°bend pole(G3/4") | 1 |

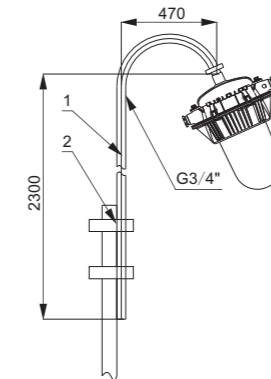
Flange mounting



Accessories Ordering Information (optional)

| Model No. | NO. | Specifications Model | Quantity |
|-----------|-----|----------------------|----------|
| P06 | 1 | Flanged pole | 1 |

Guardrail mounting



Accessories Ordering Information (optional)

| Model No. | NO. | Specifications Model | Quantity |
|-----------|-----|----------------------|----------|
| P05 | 1 | Guardrail pole | 1 |
| | 2 | U-bolts | 1 |

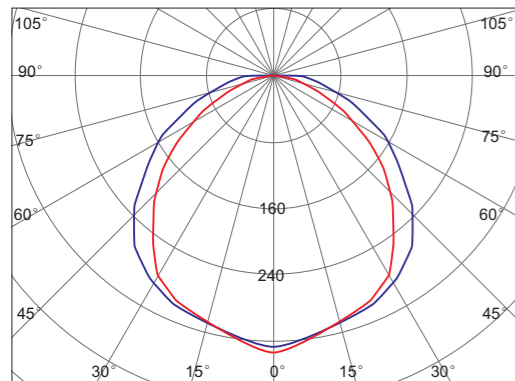


Ex mark: Ex de op is IIC T5 Gb
Ex op is tb IIIC T95°C Db, IP66

Application

- It can be widely used in petrochemical plants, oil platforms, oil pump housing, transit stations and other flammable and explosive places as fixed lighting.
- Gas explosive environment: Group IIA, IIB, IIC.
- Zone1, Zone2; Zone21, Zone22

Light Distribution Curve



Space Height Ratio: 1.5
— 0°
— 90°

Characteristics

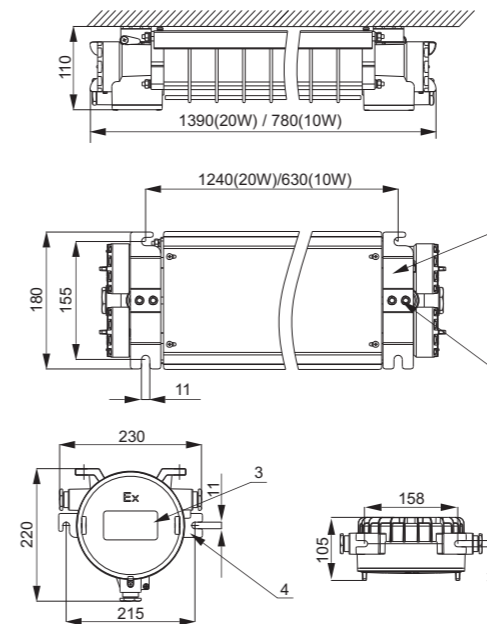
- It is made using a special aluminum housing, anti-corrosion performance than 304 stainless steel, suitable for long-term highly corrosive environment of offshore platforms, chlor-alkali, hydrogen sulfide, etc.
- The anti corrosion, abrasion proof, power coated cover which is dust proof, water proof, make the lamp an excellent option for all kinds of high environment.
- All 304 stainless steel bracket screw (customizable 316), can effectively guarantee the long-term strength and strong corrosion problems of lamps.
- Terminals are provided at both ends, can be directly wired in parallel, eliminating the junction box and installation costs.
- A variety of installation as optional: ceiling, oil derrick, the side walls, curved rods, boom, etc.

Main Specification

| Item | Technical Parameters | |
|---------------------------|-----------------------------|-------|
| Rated wattage (W) | 2×20W | 2×10W |
| Emergency wattage (W) | 20W | 10W |
| Input voltage range (V) | 90~264VAC | |
| Rated frequency | 50Hz / 60Hz | |
| Light source | LED | |
| Light efficiency (lm/W) | 90 | |
| CRI | 80 | |
| Life time (h) | 50,000 | |
| CCT | 6000K | |
| Emergency duration (min) | 90 | 180 |
| Time of charging (h) | 6 | |
| Rated capacity | 2.6Ah/14.8V | |
| Leading-in cable diameter | φ 10mm~φ 14mm | |
| Cable entry | G3/4", M25×1.5, NPT3/4" | |
| Dimension (mm) | (2×20W) 1390×180×110 | |
| | (2×10W) 780×180×110 | |
| | (Emergency box) 230×220×105 | |
| Net weight (kg) | 10.7 | 6.6 |
| | (Emergency box) 2.8 | |

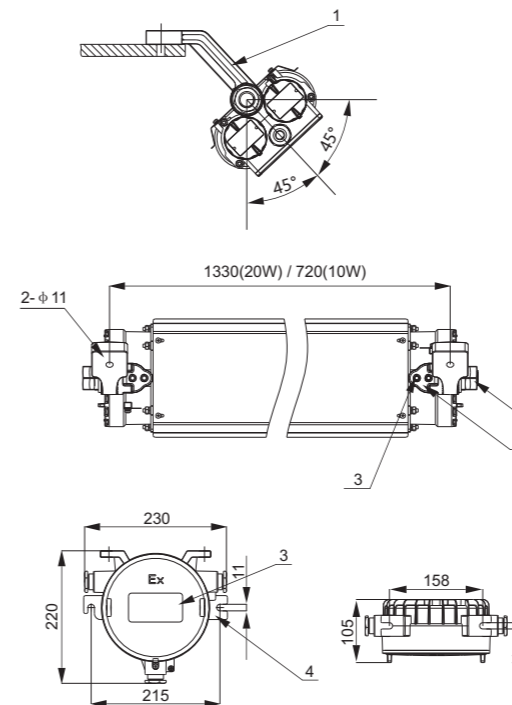
Drawing of Dimension (Dimensions in mm)

Ceiling mounting



BXP01 Explosion-Proof Emergency Box

Derrick installation



BXP01 Explosion-Proof Emergency Box

Lamps Ordering Information

| Order No. | Installation | Emergency wattage | Emergency duration |
|------------------|--------------|-------------------|--------------------|
| BC5401-L10×2-L10 | ceiling | 10W | 180min |
| BC5401-L20×2-L20 | | 20W | 90min |

Fitting Ordering Information (Standard)

| Order No. | No. | Specifications Model | Quantity |
|-----------|-----|-------------------------|----------|
| P01 | 1 | Ceiling Bracket | 2 |
| | 2 | M8 Inner six angle bolt | 4 |

Emergency box Ordering Information (Standard)

| Order No. | No. | Specifications Model | Quantity |
|-----------|-----|------------------------------------|----------|
| BXP01 | 3 | Explosion-Proof Emergency Box(40W) | 1 |
| | 4 | Bracket | 1 |

Lamps Ordering Information

| Order No. | Installation | Emergency wattage | Emergency duration |
|------------------|--------------|-------------------|--------------------|
| BC5401-L10×2-L10 | Derrick type | 10W | 180min |
| BC5401-L20×2-L20 | | 20W | 90min |

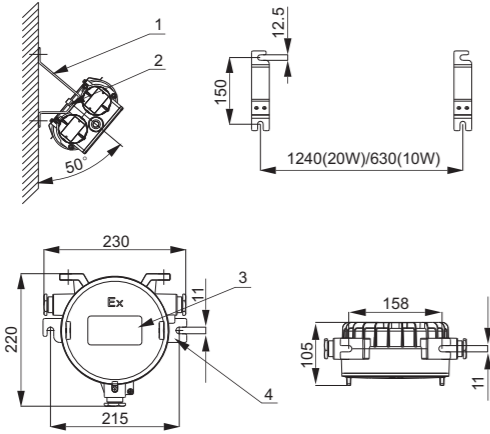
Fitting Ordering Information (Optional)

| Order No. | No. | Specifications Model | Quantity |
|-----------|-----|-------------------------|----------|
| P02 | 1 | Derrick bracket | 2 |
| | 2 | Base | 2 |
| | 3 | M8 Inner six angle bolt | 4 |
| | 4 | M24 screw | 2 |

Emergency box Ordering Information (Standard)

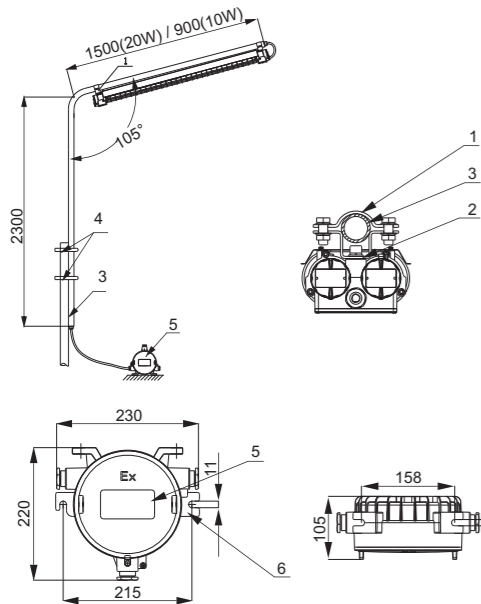
| Order No. | No. | Specifications Model | Quantity |
|-----------|-----|------------------------------------|----------|
| BXP01 | 3 | Explosion-Proof Emergency Box(40W) | 1 |
| | 4 | Bracket | 1 |

Side wall mounting



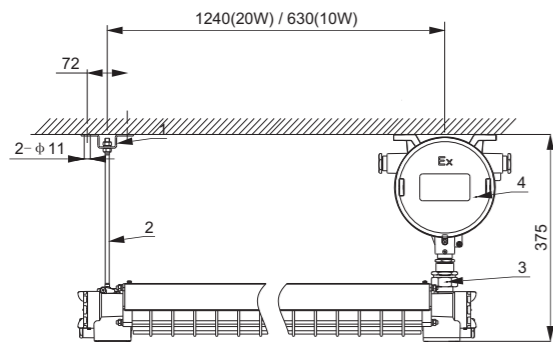
BXP01 Explosion-Proof Emergency Box

Rod mounting



BXP01 Explosion-Proof Emergency Box

Pole mounting



Lamps Ordering Information

| Order No. | Installation | Emergency wattage | Emergency duration |
|------------------|--------------|-------------------|--------------------|
| BC5401-L10×2-L10 | Sidewall | 10W | 180min |
| BC5401-L20×2-L20 | | 20W | 90min |

Fitting Ordering Information (Optional)

| Order No. | No. | Specifications Model | Quantity |
|-----------|-----|--------------------------|----------|
| P03 | 1 | Sidewall bracket | 2 |
| | 2 | M10 Inner six angle bolt | 4 |

Emergency box Ordering Information (Standard)

| Order No. | No. | Specifications Model | Quantity |
|-----------|-----|------------------------------------|----------|
| BXP01 | 3 | Explosion-Proof Emergency Box(40W) | 1 |
| | 4 | Bracket | 1 |

Lamps Ordering Information

| Order No. | Installation | Emergency wattage | Emergency duration |
|------------------|--------------|-------------------|--------------------|
| BC5401-L10×2-L10 | Rod | 10W | 180min |
| BC5401-L20×2-L20 | | 20W | 90min |

Fitting Ordering Information (Optional)

| Order No. | No. | Specifications Model | Quantity |
|-----------|-----|------------------------------------|----------|
| P04 | 1 | Upper hoop | 2 |
| | 2 | Under hoop | 2 |
| | 3 | Dn32 Poles | 1 |
| | 4 | U tube clip | 2 |
| BXP01 | 5 | Explosion-Proof Emergency Box(40W) | 1 |
| | 6 | Bracket | 1 |

Lamps Ordering Information

| Order No. | Installation | Emergency wattage | Emergency duration |
|------------------|--------------|-------------------|--------------------|
| BC5401-L10×2-L10 | Pole | 10W | 180min |
| BC5401-L20×2-L20 | | 20W | 90min |

Fitting Ordering Information (Optional)

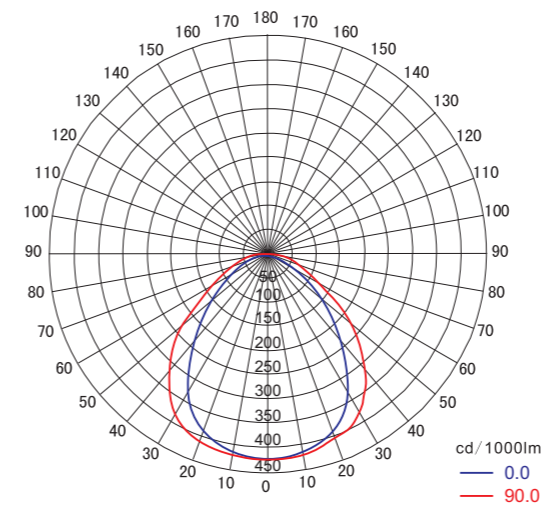
| Order No. | No. | Specifications Model | Quantity |
|-----------|-----|------------------------------------|----------|
| P05 | 1 | Pole mounting bracket | 1 |
| | 2 | 19cm Screw(M8) | 1 |
| P02 | 3 | Connector G3/4" male- male | 1 |
| BXP01 | 4 | Explosion-Proof Emergency Box(40W) | 1 |



Ex mark: Ex d IIC T5/T6 Gb
Ex tD A21, T95°C/T80°C, IP66



Light Distribution Curve



Application

- Ideal to be used in the oilfield, chemical industry, steel industry, power, port, Petroleum etc.
- Harsh environment, moist area.
- Gas explosive environment: Group IIA, IIB.
- Zone 1, Zone2; Zone 21, Zone 22.
- Temperature class: T1 to T6.

Characteristics

- Type A: usually can be used for 24 hours of lighting, the accident provides emergency lighting;
- Type B : the accident to provide emergency lighting.
- With its reflector which have different angles design, it efficiently utilize the light. Have a good performance of illuminance uniformity, glare free, can avoid eyestrain to the worker.
- A full range of high conductivity material accelerate convection cooling structure, effective guarantee long term use in high temperature environments.
- It adopts CREE LED as light source, no dark spot, It adopts American CREE LED as light source, can save 60% or more on energy than metal halide lamp.
- The adjustable locking device on the bracket can tightly fix the lamp to any desired angle, making the lamp resist to harsh vibration.
- It is made using aluminum housing, all exposed fasteners adopt 304 stainless steel. Using high-tech anti-corrosion surface treatment technology, suitable for hazardous working areas.
- Intelligent control functions can be realized.

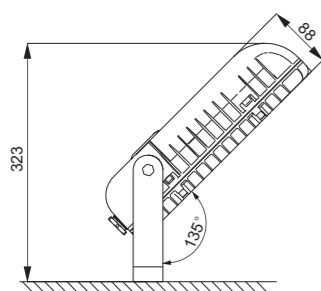
Main Specification

| Item | Technical Parameters |
|---------------------------|----------------------|
| Input voltage range (V) | 90~264VAC |
| Life time (h) | 100,000 |
| Rated frequency | 50Hz / 60Hz |
| Time of charging (h) | >6 |
| Rated capacity | 2.6Ah/14.8V |
| Cable entry | G3/4" |
| Leading-in cable diameter | φ 9mm~ φ 14mm |
| Dimension (mm) | 370×326×88 |
| Net weight (kg) | 9 |

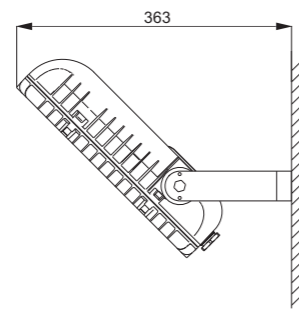
Ordering Reference

| Ordering reference | Rated wattage (W) | Emergency wattage (W) | Emergency light output (lm) | Emergency duration (min) | Mounting height (m) | Equivalent to |
|--------------------|-------------------|-----------------------|-----------------------------|--------------------------|---------------------|---------------|
| | | | | | | HM |
| BC9101A-L25-15 | 25W | 15W | 1800 | 120 | 2~5 | 70W/35W |
| BC9101A-L40-15 | 40W | 15W | 1800 | 120 | | 100W/35W |
| BC9101A-L60-15 | 60W | 15W | 1800 | 120 | 3~8 | 150W/35W |
| BC9101A-L25-25 | 25W | 25W | 3000 | 70 | 2~5 | 70W/70W |
| BC9101A-L40-25 | 40W | 25W | 3000 | 70 | | 100W/70W |
| BC9101A-L60-25 | 60W | 25W | 3000 | 70 | 3~8 | 150W/70W |
| BC9101B-L15 | / | 15W | 1800 | 120 | 2~5 | 35W |
| BC9101B-L25 | / | 25W | 3000 | 70 | | 70W |

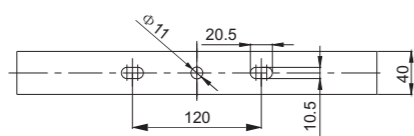
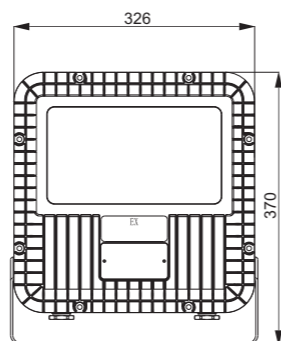
Drawing of Dimension (Dimensions in mm)



Seat mounting



Side wall mounting



Installation dimension



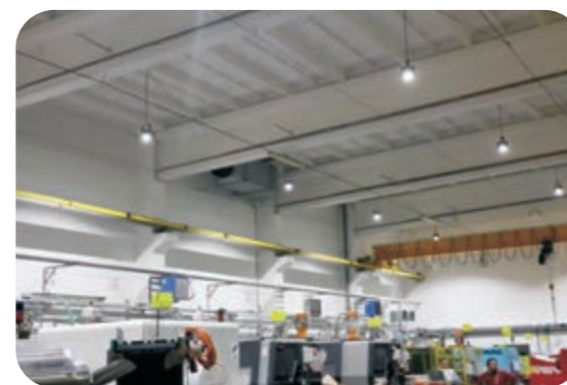
Ex mark: Ex d e IIC T5/T6 Gb
Ex tb IIIC T95°C/T80°C Db, IP66

Characteristics

- It is made using a special aluminum housing, highly corrosive environment of offshore platforms, chlor-alkali, vulcanization cyanide a full range of high conductivity material accelerate convection cooling structure, effective guarantee long-term use in high temperature environments.
- variety of light distribution, variety of installation types, an effective solution to beautify workshop and device platform.
- The shell is made of high-tech surface coating technology, corrosion resistant, waterproof and dustproof, suitable for harsh environments.
- Imported light, high luminous efficiency, low-light failure, reliability ranking first in the same light source.
- Taiwan Meanwell power supply or same quality power supply, power factor above 0.98, high reliability and long time Life time .
- Independent wiring chamber, safe and easy installation and maintenance.
- All exposed fasteners adopt 304 stainless steel.
- Type A: usually can be used for 24 hours lighting lamps and lanterns to use, when the accident to provide emergency lighting;
- B type: accident to provide emergency lighting.
B type A type with manual emergency function.

Application

- Ideal to be used in the oilfield, chemical industry, offshore drilling platform, steel industry, petroleum etc.
- Gas explosive environment: Group IIA, IIB, IIC.
- Zone 1,zone 2;zone 21,zone 22.



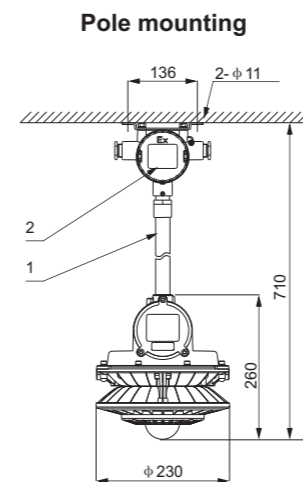
Main Specification

| Item | Technical Parameters |
|---------------------------|---------------------------------------|
| Type | BC9306AP/BP |
| Input voltage range (V) | 90~264VAC |
| Rated frequency | 50Hz / 60Hz |
| Light source | LED |
| CRI (Ra) | 70 (80 optional) |
| Life time (h) | 50,000 |
| CCT | 4000K(3000K/5000K optional) |
| Cable entry | M20 , M25 , NPT3/4" , NPT1/2" , G3/4" |
| Leading-in cable diameter | φ 10mm~ φ 14mm |
| Terminals | Multi core: ≤2.5mm ² |
| | Single core: ≤4mm ² |
| Time of charging (h) | >6 |
| Rated capacity | 2. 6Ah / 14. 8V |
| Dimension (mm) | φ 230×270 |
| Net weight (kg) | 4.2 |

Ordering Reference

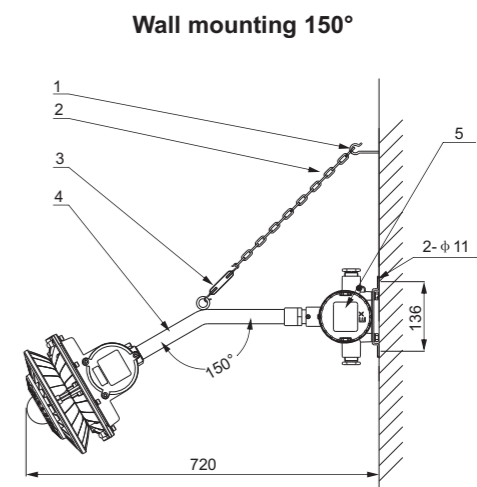
| Ordering reference | Picture | Rated wattage(W) | Emergency wattage (W) | Emergency duration (min) | Emergency light output (lm) | Light distribution curve(1000cd/lm) | Space height ratio | Equivalent to MH |
|-----------------------|---------|------------------|-----------------------|--------------------------|-----------------------------|-------------------------------------|--------------------|------------------|
| BC9306AP-L40-15-60° | | 40W | 15W | 150min | 1800 | | 0.9 | 100W / 35W |
| BC9306AP-L40-25-60° | | 40W | 25W | 90min | 3300 | | | 100W / 70W |
| BC9306AP-L40-15-80° | | 40W | 15W | 150min | 1800 | | 1.35 | 100W / 35W |
| BC9306AP-L40-25-80° | | 40W | 25W | 90min | 3300 | | | 100W / 70W |
| BC9306AP-L40-15-100° | | 40W | 15W | 150min | 1800 | | 1.4 | 100W / 35W |
| BC9306AP-L40-25-100° | | 40W | 25W | 90min | 3300 | | | 100W / 70W |
| BC9306AP-L40-15-200° | | 40W | 15W | 150min | 1400 | | 1.75 | 100W / 35W |
| BC9306AP-L40-25-200° | | 40W | 25W | 90min | 2600 | | | 100W / 70W |
| Auto Emergency | | | | | | | | |
| BC9306BP-15-60° | | / | 15W | 150min | 1800 | | 0.9 | 35W |
| BC9306BP-25-60° | | / | 25W | 90min | 3300 | | | 70W |
| BC9306BP-15-80° | | / | 15W | 150min | 1800 | | 1.35 | 35W |
| BC9306BP-25-80° | | / | 25W | 90min | 3300 | | | 70W |
| BC9306BP-15-100° | | / | 15W | 150min | 1800 | | 1.4 | 35W |
| BC9306BP-25-100° | | / | 25W | 90min | 3300 | | | 70W |
| BC9306BP-15-200° | | / | 15W | 150min | 1400 | | 1.75 | 35W |
| BC9306BP-25-200° | | / | 25W | 90min | 2600 | | | 70W |

Drawing of Dimension (Dimensions in mm)



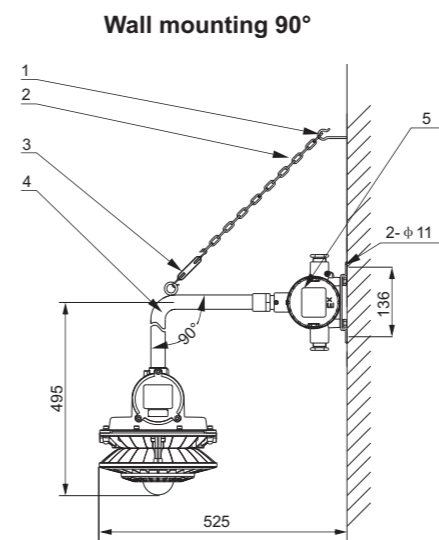
Accessories order information (Pole mounting)

| Ordering reference | Item no. | Specification | Quantity |
|--------------------|----------|------------------------------|----------|
| P01 | 1 | G3/4" pole 30cm | 1 |
| BHD01 | 2 | Explosion proof junction box | 1 |



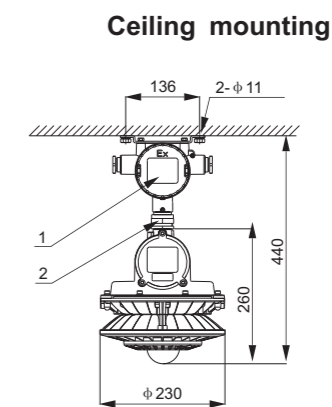
Accessories order information (Wall mounting 150°)

| Ordering reference | Item no. | Specification | Quantity |
|--------------------|----------|------------------------------|----------|
| P03 | 1 | Expansion screw hook | 1 |
| | 2 | Chain | 1 |
| | 3 | C-C turn buckle | 1 |
| | 4 | G3/4" bend pipe 150Degree | 1 |
| BHD01 | 5 | Explosion proof junction box | 1 |



Accessories order information (Wall mounting 90°)

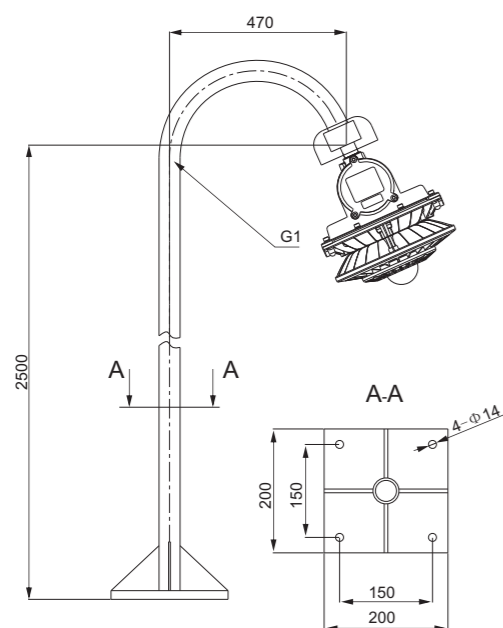
| Ordering reference | Item no. | Specification | Quantity |
|--------------------|----------|------------------------------|----------|
| P04 | 1 | Expansion screw hook | 1 |
| | 2 | Chain | 1 |
| | 3 | C-C turn buckle | 1 |
| | 4 | G3/4" bend pipe 90° | 1 |
| BHD01 | 5 | Explosion proof junction box | 1 |



Accessories order information (Ceiling mounting)

| Ordering reference | Item no. | Specification | Quantity |
|--------------------|----------|------------------------------|----------|
| BHD01 | 1 | Explosion proof junction box | 1 |
| P02 | 2 | Adapter G3/4"(female - male) | 1 |

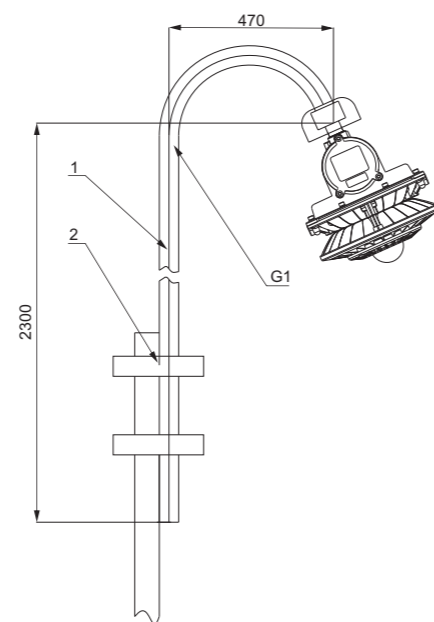
Flange mounting



Accessories order information (Flange mounting)

| Ordering reference | Item no. | Specification | Quantity |
|--------------------|----------|---------------|----------|
| P06 | 1 | Flange pole | 1 |

Guardrail mounting



Accessories order information (Guardrail mounting)

| Ordering reference | Item no. | Specification | Quantity |
|--------------------|----------|---------------|----------|
| P05 | 1 | Fence pole | 1 |
| | 2 | U type bolts | 2 |

- Ex
- IECEX
- ATEX
- CE
- RoHS
- LM79
- IP 66
- Ta 50
- Ta -25



Ex mark: Ex d e IIC T5/T6 Gb
Ex tb IIIC T95°C/T80°C Db, IP66

Application

- Ideal to be used in the oilfield, chemical industry, offshore drilling platform, steel industry, petroleum etc.
- Gas explosive environment: Group IIA, IIB, IIC.
- Zone 1,zone 2;zone 21,zone 22.



Characteristics

- It is made using a special aluminum housing, highly corrosive environment of offshore platforms, chlor-alkali, vulcanization cyanide a full range of high conductivity material accelerate convection cooling structure, effective guarantee long-term use in high temperature environments.
- variety of light distribution, variety of installation types, an effective solution to beautify workshop and device platform.
- The shell is made of high-tech surface coating technology, corrosion resistant, waterproof and dustproof, suitable for harsh environments.
- Imported light chip, high luminous efficiency, low-light failure, reliability ranking first in the same light source.
- Taiwan Meanwell power supply or same quality power supply, power factor above 0.98, high reliability and long time Life time .. Independent wiring chamber, safe and easy installation and maintenance.
- All exposed fasteners adopt 304 stainless steel.
- Type A: usually can be used for 24 hours lighting lamps and lanterns to use, when the accident to provide emergency lighting; type B : accident to provide emergency lighting.
- B type A type with manual emergency function.

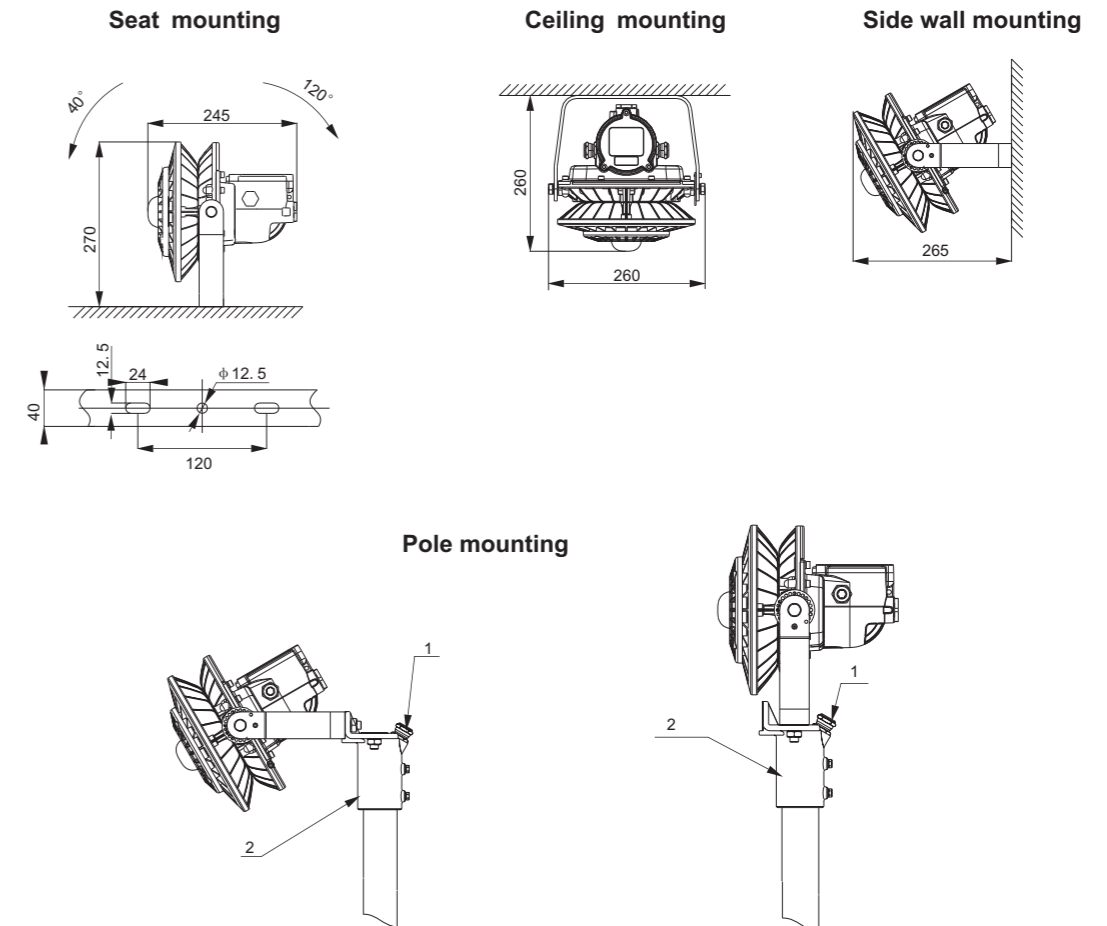
Main Specification

| Item | Technical Parameters |
|---------------------------|---------------------------------------|
| Input voltage range (V) | 90~264VAC |
| Rated frequency | 50Hz / 60Hz |
| Light source | LED |
| CRI (Ra) | 70 (80 optional) |
| Life time (h) | 50,000 |
| CCT | 4000K(3000K/5000K optional) |
| Cable entry | M20 , M25 , NPT3/4" , NPT1/2" , G3/4" |
| Leading-in cable diameter | φ 6mm~ φ 12mm |
| Terminals | Multi core: ≤2.5mm ² |
| | Single core: ≤4mm ² |
| Time of charging (h) | >6 |
| Rated capacity | 2. 6Ah / 14. 8V |
| Dimension (mm) | 245×260×270 |
| Net weight (kg) | 4.9 |

Ordering Reference

| Ordering reference | Picture | Rated wattage (W) | Emergency wattage (W) | Emergency duration (min) | Emergency light output (lm) | Light distribution curve(1000cd/lm) | Space height ratio | Equivalent to |
|--------------------------|---------|-------------------|-----------------------|--------------------------|-----------------------------|-------------------------------------|--------------------|---------------|
| | | | | | | | | MH |
| BC9306AS-L40-15-60°×80° | | 40W | 15W | 150min | 1800 | | 1.25 | 100W / 35W |
| BC9306AS-L40-25-60°×80° | | 40W | 25W | 90min | 3300 | | | 100W / 70W |
| BC9306AS-L40-15-90°×110° | | 40W | 15W | 150min | 1700 | | 1.75 | 100W / 35W |
| BC9306AS-L40-25-90°×110° | | 40W | 25W | 90min | 3100 | | | 100W / 70W |
| BC9306AS-L40-15-200° | | 40W | 15W | 150min | 1400 | | 1.75 | 100W / 35W |
| BC9306AS-L40-25-200° | | 40W | 25W | 90min | 2400 | | | 100W / 70W |
| Auto Emergency | | | | | | | | |
| BC9306BS-15-60°×80° | | / | 15W | 150min | 1800 | | 1.25 | 35W |
| BC9306BS-25-60°×80° | | / | 25W | 90min | 3300 | | | 70W |
| BC9306BS-15-90°×110° | | / | 15W | 150min | 1700 | | 1.75 | 35W |
| BC9306BS-25-90°×110° | | / | 25W | 90min | 3100 | | | 70W |
| BC9306BS-15-200° | | / | 15W | 150min | 1400 | | 1.75 | 35W |
| BC9306BS-25-200° | | / | 25W | 90min | 2600 | | | 70W |

Drawing of Dimension (Dimensions in mm)



Accessories ordering information(optional)

| Ordering reference | Item no | Specification | Quantity | Note |
|--------------------|---------|------------------------|----------|-------------------|
| P07 | 1 | Water proof plug M20 | 1 | φ 8~ φ 12mm cable |
| | 2 | Vertical Mounting pole | 1 | Φ40~ Φ50mm pole |



Application

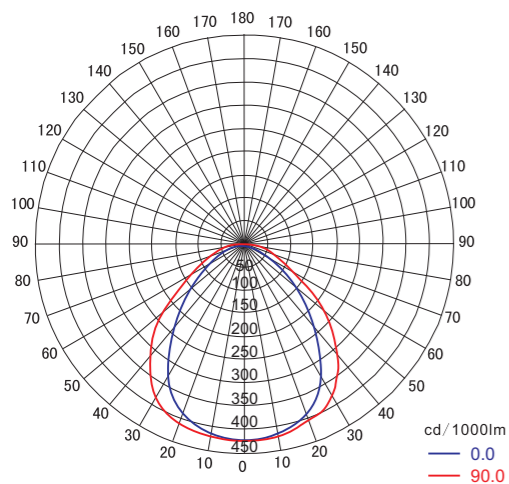
It is ideal to use in the factory, railway station, workshop, large storage, gym, large scale building area, tunnel and laneway as emergency illumination.

Characteristics

- Type A: usually can be used for 24 hours lighting lamps and lanterns to use, when the accident to provide emergency lighting;
- Type B: accident to provide emergency lighting.
- Apply the design of lens with different angles, make irradiation surface wider, fully effective use of light. Illumination uniformity, no glare, does not cause eyestrain of workers, improve work efficiency.
- Radiator adopt fin structure design, light source adopt decentralized layout and separate structure of power, long-term suitable for operating environment with high temperature and high humidity.
- It adopts American CREE LED as light source, no dark zone in light spot, can save 60% or more on energy than the metal halide lamp.
- Equipped with electrical appliance of Meanwell or similar quality power driver AC- DC wide voltage constant power supply, power factor up to 0.98.
- The locking device on the bracket will keep the lamp from shift or trembling during harsh vibration.
- Housing made of aluminum alloy, all exposed fasteners adopt 304 stainless steel. using high-tech anti-corrosion surface treatment technology, suitable for a variety of harsh industrial operating environment.
- According to user needs, achieve a variety of intelligent control.



Light Distribution Curve



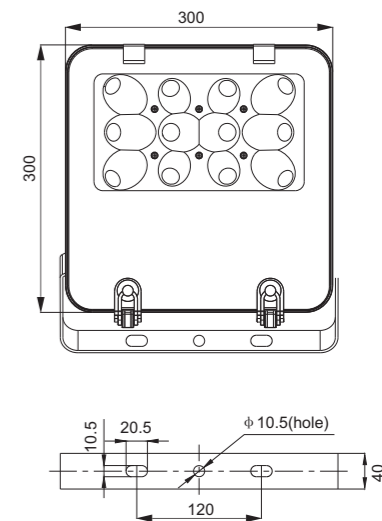
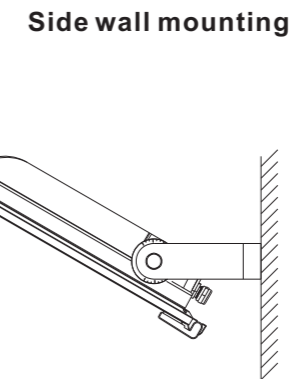
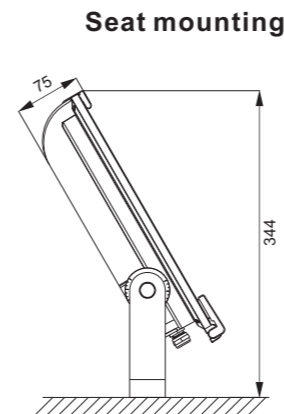
Main Specification

| Item | Technical Parameters |
|---------------------------|----------------------|
| Input voltage range (V) | 90~264VAC |
| Life time (h) | 100,000 |
| Rated frequency | 50Hz / 60Hz |
| Time of charging (h) | >6 |
| Rated capacity | 2.2Ah/14.8V |
| Cable entry | G3/4" |
| Leading-in cable diameter | φ 6mm~ φ 8mm |
| Dimension (mm) | 326×326×75 |
| Net weight (kg) | 5.5 |

Ordering Reference

| Ordering reference | Rated wattage (W) | Emergency wattage (W) | Emergency light output (lm) | Emergency duration (min) | Mounting height (m) | Equivalent to |
|--------------------|-------------------|-----------------------|-----------------------------|--------------------------|---------------------|---------------|
| | | | | | | MH |
| ZY8101A-L25-15 | 25W | 15W | 1800 | 120min | 2~5 | 70W/35W |
| ZY8101A-L40-15 | 40W | 15W | 1800 | 120min | | 100W/35W |
| ZY8101A-L60-15 | 60W | 15W | 1800 | 120min | 3~8 | 150W/35W |
| ZY8101A-L25-25 | 25W | 25W | 3000 | 70min | 2~5 | 70W/70W |
| ZY8101A-L40-25 | 40W | 25W | 3000 | 70min | | 100W/70W |
| ZY8101A-L60-25 | 60W | 25W | 3000 | 70min | 3~8 | 150W/70W |
| ZY8101B-15 | / | 15W | 1800 | 120min | 2~5 | 35W |
| ZY8101B-25 | / | 25W | 3000 | 70min | | 70W |

Drawing of Dimension (Dimensions in mm)



Installation dimension



ZY8603AP/BP



ZY8603A1P/B1P

Characteristics

- It is made using a special aluminum housing, suitable for long-term highly corrosive environment of offshore platforms, chlor-alkali, vulcanization cyanide a full range of high conductivity material accelerate convection cooling structure, effective guarantee long term use in high temperature environments. variety of light distribution, variety of installation types, an effective solution to beautify workshop and device platform.
- The shell is made of high-tech surface coating technology, corrosion resistant, waterproof and dust proof, suitable for harsh environments.
- Imported light lens, high luminous efficiency, low-light failure, reliability ranking first in the same light source.
- Independent wiring chamber, safe and easy installation and maintenance.
- All exposed fasteners adopt 304 stainless steel.
- Type A: usually can be used for 24 hours lighting lamps and lanterns to use, when the accident to provide emergency lighting;
- Type B : accident to provide emergency lighting.
- B type A type with manual emergency function.

Main Specification

| Item | Technical Parameters | |
|---------------------------|---------------------------------|----------------|
| Type | ZY8603AP/BP | ZY8603A1P/B1P |
| Input voltage range (V) | 90~264VAC | |
| Rated frequency | 50Hz/60Hz | |
| Light source | LED | |
| CRI (Ra) | 70(80 optional) | |
| Life time (h) | 50,000 | |
| CCT | 4000K(3000K/5000K optional) | |
| Leading-in cable diameter | φ 10~ φ 14mm | |
| Terminals | Multi core: ≤2.5mm ² | |
| | Single core: ≤4mm ² | |
| Time of charging (h) | >6 | >12 |
| Rated capacity | 2. 6Ah / 14. 8V | 5.2Ah / 14. 8V |
| Dimension (mm) | φ 230×240 | φ 230×260 |
| Net weight (kg) | 4.2 | 5.2 |

Application

It is suitable for emergency lighting in the installation platform, water control room, fire pump room and other places.



Ordering Reference

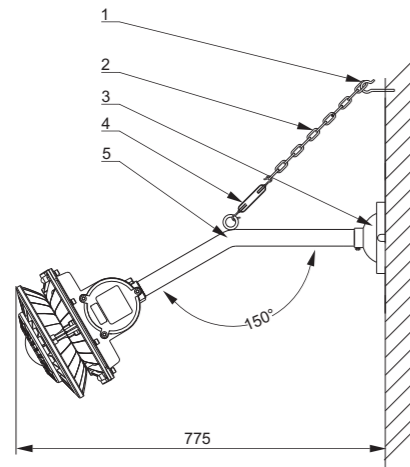
| Ordering reference | picture | Rated wattage (W) | Emergency wattage (W) | Emergency duration (min) | Emergency light output (lm) | Light distribution curve(1000cd/lm) | Space height ratio | Equivalent to MH |
|-----------------------|---------|-------------------|-----------------------|--------------------------|-----------------------------|-------------------------------------|--------------------|------------------|
| ZY8603AP-L40-15-60° | | 40W | 15W | 150min | 1800 | | 0.9 | 100W / 35W |
| ZY8603AP-L40-25-60° | | 40W | 25W | 90min | 3300 | | | 100W / 70W |
| ZY8603A1P-L40-15-60° | | 40W | 15W | 300min | 1800 | | | 100W / 35W |
| ZY8603A1P-L40-25-60° | | 40W | 25W | 190min | 3300 | | 1.35 | 100W / 70W |
| ZY8603AP-L40-15-80° | | 40W | 15W | 150min | 1800 | | | 100W / 35W |
| ZY8603AP-L40-25-80° | | 40W | 25W | 90min | 3300 | | | 100W / 70W |
| ZY8603A1P-L40-15-80° | | 40W | 15W | 300min | 1800 | | 1.4 | 100W / 35W |
| ZY8603A1P-L40-25-80° | | 40W | 25W | 190min | 3300 | | | 100W / 70W |
| ZY8603AP-L40-15-100° | | 40W | 15W | 150min | 1800 | | | 100W / 35W |
| ZY8603AP-L40-25-100° | | 40W | 25W | 90min | 3300 | | 1.75 | 100W / 70W |
| ZY8603A1P-L40-15-100° | | 40W | 15W | 300min | 1800 | | | 100W / 35W |
| ZY8603A1P-L40-25-100° | | 40W | 25W | 190min | 3300 | | | 100W / 70W |
| ZY8603AP-L40-15-200° | | 40W | 15W | 150min | 1400 | | 1.75 | 100W / 35W |
| ZY8603AP-L40-25-200° | | 40W | 25W | 90min | 2600 | | | 100W / 70W |
| ZY8603A1P-L40-15-200° | | 40W | 15W | 300min | 1400 | | | 100W / 35W |
| ZY8603A1P-L40-25-200° | | 40W | 25W | 190min | 2600 | | 1.75 | 100W / 70W |

Auto Emergency

| | | | | | | | | |
|-------------------|--|---|-----|--------|------|--|------|-----|
| ZY8603BP-15-60° | | / | 15W | 150min | 1800 | | 0.9 | 35W |
| ZY8603BP-25-60° | | / | 25W | 90min | 3300 | | | 70W |
| ZY8603B1P-15-60° | | / | 15W | 300min | 1800 | | | 35W |
| ZY8603B1P-25-60° | | / | 25W | 190min | 3300 | | | 70W |
| ZY8603BP-15-80° | | / | 15W | 150min | 1800 | | 1.35 | 35W |
| ZY8603BP-25-80° | | / | 25W | 90min | 3300 | | | 70W |
| ZY8603B1P-15-80° | | / | 15W | 300min | 1800 | | | 35W |
| ZY8603B1P-25-80° | | / | 25W | 190min | 3300 | | | 70W |
| ZY8603BP-15-100° | | / | 15W | 150min | 1800 | | 1.4 | 35W |
| ZY8603BP-25-100° | | / | 25W | 90min | 3300 | | | 70W |
| ZY8603B1P-15-100° | | / | 15W | 300min | 1800 | | | 35W |
| ZY8603B1P-25-100° | | / | 25W | 190min | 3300 | | | 70W |
| ZY8603BP-15-200° | | / | 15W | 150min | 1400 | | 1.75 | 35W |
| ZY8603BP-25-200° | | / | 25W | 90min | 2600 | | | 70W |
| ZY8603B1P-15-200° | | / | 15W | 300min | 1400 | | | 35W |
| ZY8603B1P-25-200° | | / | 25W | 190min | 2600 | | | 70W |

Drawing of Dimension (Dimensions in mm)

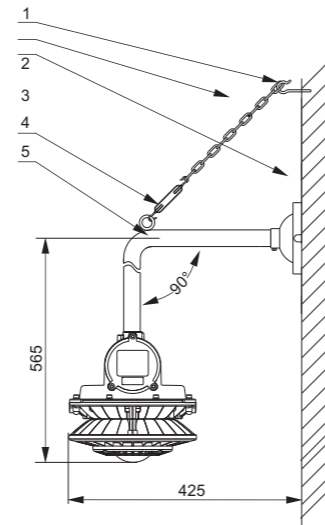
Wall mounting 150°



Accessories order information(Wall mounting 150°)

| Ordering reference | Item no. | Specification | Quantity |
|--------------------|----------|---------------------------|----------|
| P15 | 1 | Expansion screw hook | 1 |
| | 2 | Chain | 1 |
| | 3 | C-C turn buckle | 1 |
| | 4 | G3/4" bend pipe 150Degree | 1 |
| | 5 | Sucker | 1 |

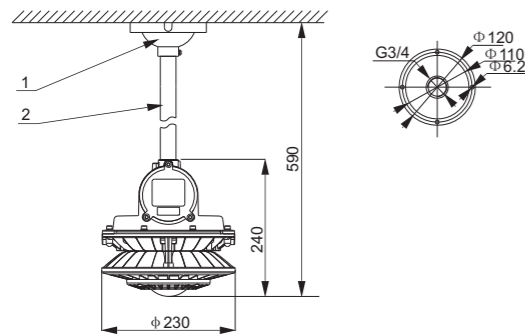
Wall mounting 90°



Accessories order information(Wall mounting 90°)

| Ordering reference | Item no. | Specification | Quantity |
|--------------------|----------|--------------------------|----------|
| P16 | 1 | Expansion screw hook | 1 |
| | 2 | Chain | 1 |
| | 3 | C-C turn buckle | 1 |
| | 4 | G3/4" bend pipe 90Degree | 1 |
| | 5 | Sucker | 1 |

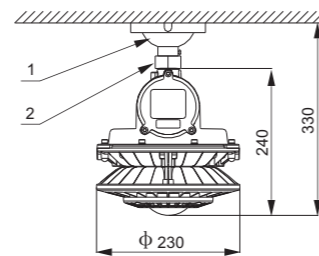
Pole mounting



Accessories order information(Pole mounting)

| Ordering reference | Item no. | Specification | Quantity |
|--------------------|----------|-----------------|----------|
| P14 | 1 | G3/4" pole 30cm | 1 |
| | 2 | Sucker | 1 |

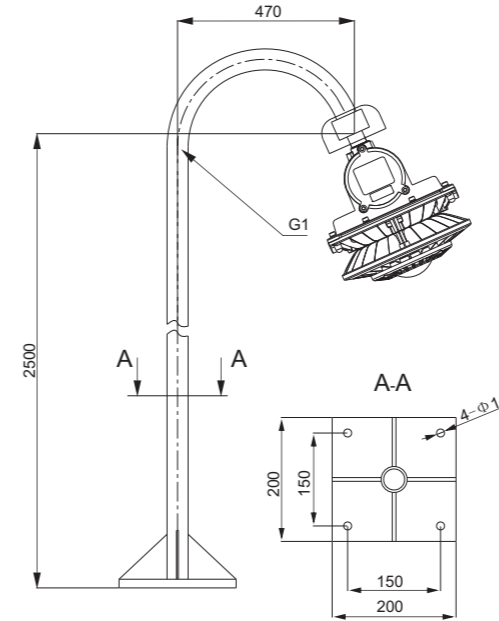
Ceiling mounting



Accessories order information(Ceiling mounting)

| Ordering reference | Item no. | Specification | Quantity |
|--------------------|----------|----------------------------------|----------|
| P17 | 1 | Sucker | 1 |
| | 2 | Adapter G3/4"(internal-external) | 1 |

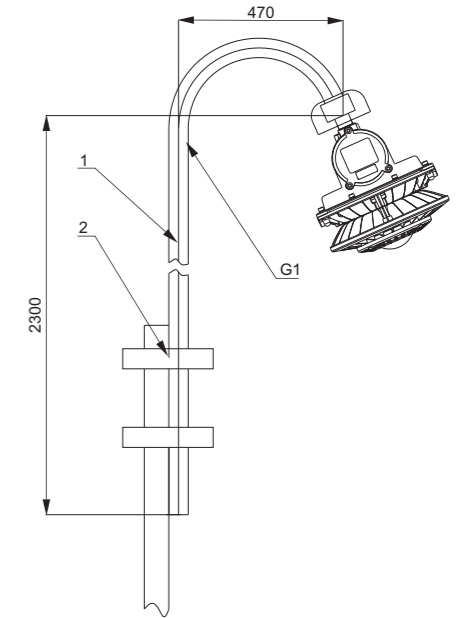
Flange mounting



Accessories order information(Flange mounting)

| Ordering reference | Item no. | Specification | Quantity |
|--------------------|----------|---------------|----------|
| P06 | 1 | Flange pole | 1 |

Guardrail mounting



Accessories order information(Guardrail mounting)

| Ordering reference | Item no. | Specification | Wuantity |
|--------------------|----------|---------------|----------|
| P05 | 1 | Fence pole | 1 |
| | 2 | U type bolts | 2 |



ZY8603AS/BS



ZY8603A1S/B1S

Application

It is suitable for emergency lighting in the installation platform, water control room, fire pump room and other places.



Characteristics

- It is made using a special aluminum housing, suitable for long-term highly corrosive environment of offshore platforms, chlor-alkali, vulcanization cyanide a full range of high conductivity material accelerate convection cooling structure, effective guarantee long term use in high temperature environments. variety of light distribution, variety of installation types, an effective solution to beautify workshop and device platform.
- The shell is made of high-tech surface coating technology, corrosion resistant, waterproof and dust proof, suitable for harsh environments.
- Imported light lens, high luminous efficiency, low-light failure, reliability ranking first in the same light source.
- Independent wiring chamber, safe and easy installation and maintenance.
- All exposed fasteners adopt 304 stainless steel.
- Type A: usually can be used for 24 hours lighting lamps and lanterns to use, when the accident to provide emergency lighting;
- Type B : accident to provide emergency lighting.
- B type A type with manual emergency function.

Main specification

| Item | Technical Parameters | |
|---------------------------|---------------------------------|---------------|
| | ZY8603AS/BS | ZY8603A1S/B1S |
| Input voltage range (V) | 90~264VAC | |
| Rated frequency | 50Hz / 60Hz | |
| Light source | LED | |
| CRI (Ra) | 70(80 optional) | |
| Life time (h) | 50,000 | |
| CCT | 4000K(3000K/5000K optional) | |
| Leading-in cable diameter | φ 6mm~ φ 12mm | |
| Terminals | Multi core: ≤2.5mm ² | |
| | Single core: ≤4mm ² | |
| Recharge time | >6h | >12h |
| Rated capacity | 2.6Ah / 14.8V | 5.2Ah / 14.8V |
| Dimension (mm) | 260×245×270 | 260×265×270 |
| Net weight (kg) | 4.9 | 6.3 |

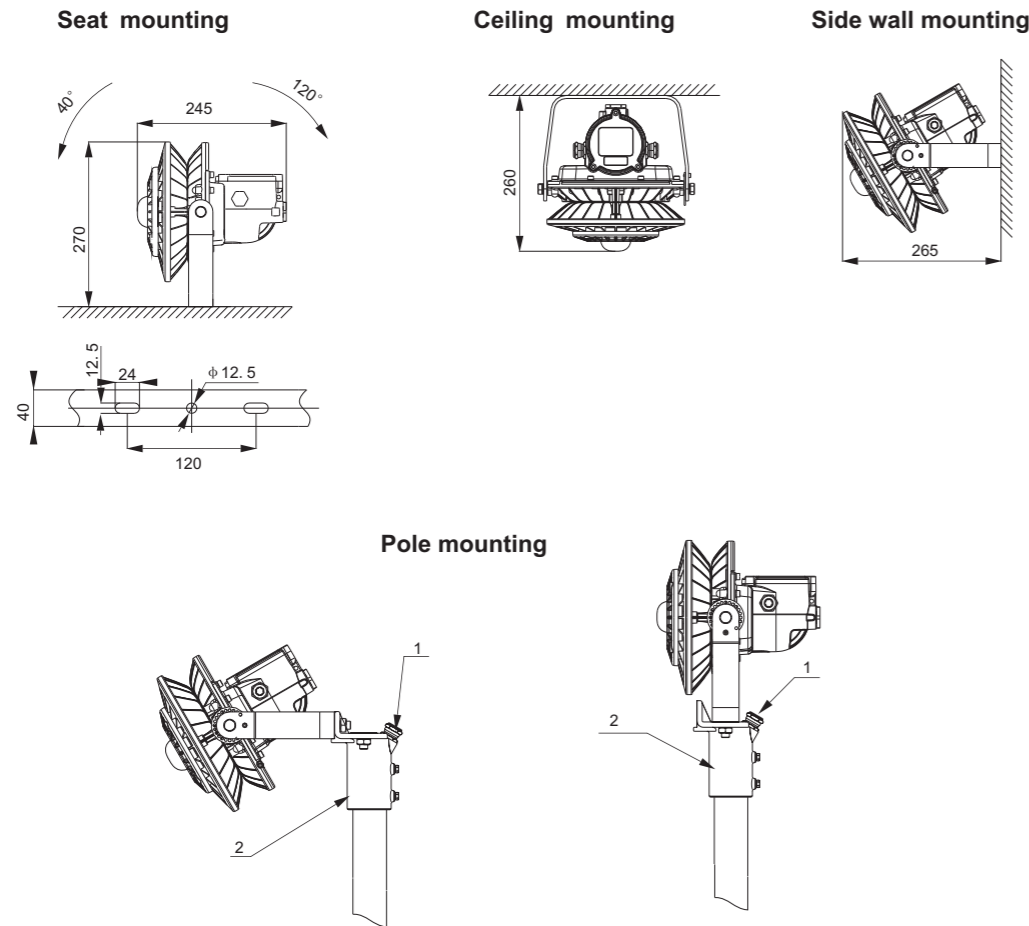
Ordering Reference

| Ordering reference | Picture | Rated wattage (W) | Emergency wattage (W) | Emergency duration (min) | Emergency light output (lm) | Light distribution curve(1000cd/lm) | Space height ratio | Equivalent to MH |
|---------------------------|---------|-------------------|-----------------------|--------------------------|-----------------------------|-------------------------------------|--------------------|------------------|
| ZY8603AS-L40-15-60°×80° | | 40W | 15W | 150min | 1800 | | 1.25 | 100W / 35W |
| ZY8603AS-L40-25-60°×80° | | 40W | 25W | 90min | 3300 | | | 100W / 70W |
| ZY8603A1S-L40-15-60°×80° | | 40W | 15W | 300min | 1800 | | | 100W / 35W |
| ZY8603A1S-L40-25-60°×80° | | 40W | 25W | 190min | 3300 | | | 100W / 70W |
| ZY8603AS-L40-15-90°×110° | | 40W | 15W | 150min | 1700 | | 1.75 | 100W / 35W |
| ZY8603AS-L40-25-90°×110° | | 40W | 25W | 90min | 3100 | | | 100W / 70W |
| ZY8603A1S-L40-15-90°×110° | | 40W | 15W | 300min | 1700 | | | 100W / 35W |
| ZY8603A1S-L40-25-90°×110° | | 40W | 25W | 190min | 3100 | | | 100W / 70W |
| ZY8603AS-L40-15-200° | | 40W | 15W | 150min | 1400 | | 1.75 | 100W / 35W |
| ZY8603AS-L40-25-200° | | 40W | 25W | 90min | 2600 | | | 100W / 70W |
| ZY8603A1S-L40-15-200° | | 40W | 15W | 300min | 1400 | | | 100W / 35W |
| ZY8603A1S-L40-25-200° | | 40W | 25W | 190min | 2600 | | | 100W / 70W |

Auto Emergency

| | | | | | | | | |
|-----------------------|--|---|-----|--------|------|--|------|-----|
| ZY8603BS-15-60°×80° | | / | 15W | 150min | 1800 | | 1.25 | 35W |
| ZY8603BS-25-60°×80° | | / | 25W | 90min | 3300 | | | 70W |
| ZY8603B1S-15-60°×80° | | / | 15W | 300min | 1800 | | | 35W |
| ZY8603B1S-25-60°×80° | | / | 25W | 190min | 3300 | | | 70W |
| ZY8603BS-15-90°×110° | | / | 15W | 150min | 1700 | | 1.75 | 35W |
| ZY8603BS-25-90°×110° | | / | 25W | 90min | 3100 | | | 70W |
| ZY8603B1S-15-90°×110° | | / | 15W | 300min | 1700 | | | 35W |
| ZY8603B1S-25-90°×110° | | / | 25W | 190min | 3100 | | | 70W |
| ZY8603BS-15-200° | | / | 15W | 150min | 1400 | | 1.75 | 35W |
| ZY8603BS-25-200° | | / | 25W | 90min | 2600 | | | 70W |
| ZY8603B1S-15-200° | | / | 15W | 300min | 1400 | | | 35W |
| ZY8603B1S-25-200° | | / | 25W | 190min | 2600 | | | 70W |

Drawing of Dimension (Dimensions in mm)



Accessories ordering information(optional)

| Ordering reference | Item no | Specification | Quantity | Note |
|--------------------|---------|------------------------|----------|-------------------|
| P07 | 1 | Water proof plug M20 | 1 | Φ 8~ Φ 12mm cable |
| | 2 | Vertical Mounting pole | 1 | Φ 40~ Φ 50mm pole |

Application

This product is ideal to use as floodlight or emergency lighting in workshops, warehouses, trenches, tunnels and some other public places.

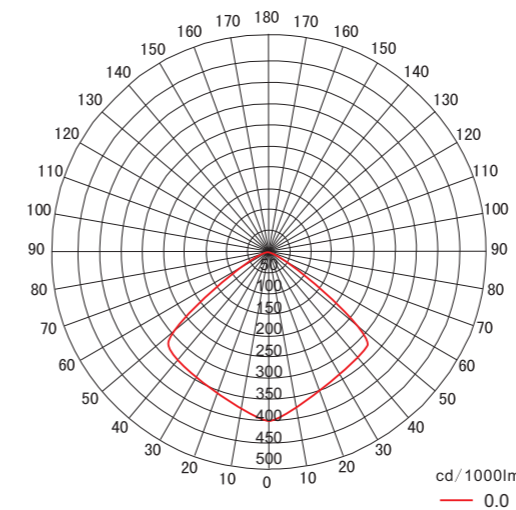
Characteristics

- Automatic emergency: after power failure automatically switch to battery-powered lamps provide continuous lighting after power failure.
- Manual emergency: after power failure lamps do not automatically switch to battery power, you need to toggle through external switch or push-button switch on the lamp.
- Normal lighting + emergency lighting: usually can be used as ordinary lamps, power failure, used to provide emergency lighting.
- Emergency lighting: provide emergency lighting at the time of the accident. With power failure simulation test function, you can quickly test fixture installation functionality.
- Has tested function, can quickly test lamps installed function is normal or not.
- The light source adopts the world's most bright LED, power consumption for only 40% of the metal halide lamp.
- Efficient radiator effective solution the LED failure which because of temperature rise, so as to ensure the life to 50,000 hours.
- The transparent part is made of the imported PC materials, with anti-dazzle design. Featuring gentle light, even lighting and no dazzle, it can effectively avoid visual fatigue caused to operators during the operation.
- Emergency power using lithium-ion polymer battery, safe and effective long Life time .

IP 65
Ta 50
Ta -25



Light Distribution Curve



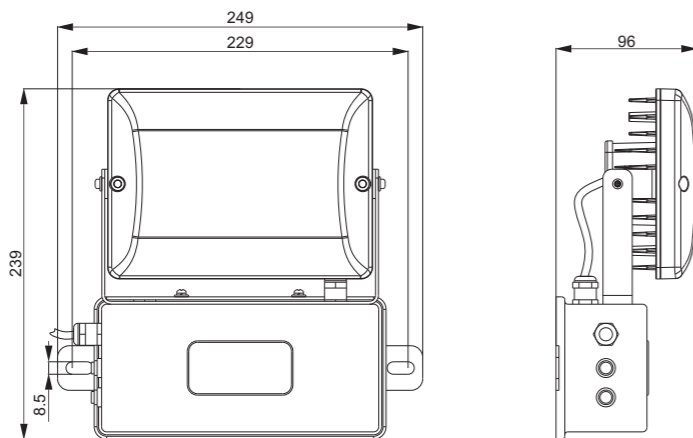
Main Specification

| Item | Technical Parameters | |
|-------------------------------|----------------------|-------------|
| | ZY8810A | ZY8810B |
| Type | ZY8810A | ZY8810B |
| Input voltage range (V) | 90~264VAC | |
| Rated frequency | 50Hz / 60Hz | |
| Life time (h) | 50,000 | |
| Time of recharge (h) | 10 | >6 |
| Rated capacity | 5.2Ah/14.8V | 2.6Ah/14.8V |
| Battery recharge cycle (time) | ≈1000 | |
| Dimension (mm) | 180×130×65 | |
| Net weight (kg) | 2 | |

Ordering reference

| Ordering reference | Rated wattage (W) | Emergency wattage (W) | Emergency duration (h) | Emergency light output (lm) | Mounting height (m) | Equivalent to Fluorescent lamp |
|--|-------------------|-----------------------|------------------------|-----------------------------|---------------------|--------------------------------|
| Normal illuminate+ Auto Emergency | | | | | | |
| ZY8810A-A | 12W | 6W | >10h | 600 | 2~5 | 28W |
| ZY8810B-A | 6W | 4W | >10h | 300 | | 18W |
| Auto Emergency | | | | | | |
| ZY8820A-A | / | 6W | >10h | 600 | 2~5 | 28W |
| ZY8820B-A | / | 4W | >10 | 300 | | 18W |
| Normal illuminate+ Manual Emergency | | | | | | |
| ZY8810A-M | 12W | 6W | >10h | 600 | 2~5 | 28W |
| ZY8810B-M | 6W | 4W | >10h | 300 | | 18W |
| Manual Emergency | | | | | | |
| ZY8820A-M | / | 6W | >10h | 600 | 2~5 | 28W |
| ZY8820B-M | / | 4W | >10h | 300 | | 18W |

Drawing of Dimension (Dimensions in mm)



Standard



Ex mark: Ex d IIC T6 Gb
Ex tb IIIC T80°C Db, IP66



Application

- Low installation height equipment area like petrochemical plants, chemical plants, pharmaceutical factory, polishing plant, etc.

Characteristics

- The junction box has the characteristics of small volume, light weight, convenient installation, etc.
- The shell adopts anti-corrosive processing, standard for the 304 stainless steel material, using high-tech surface anti-corrosion treatment technology, applicable to all kinds of bad industrial environment.

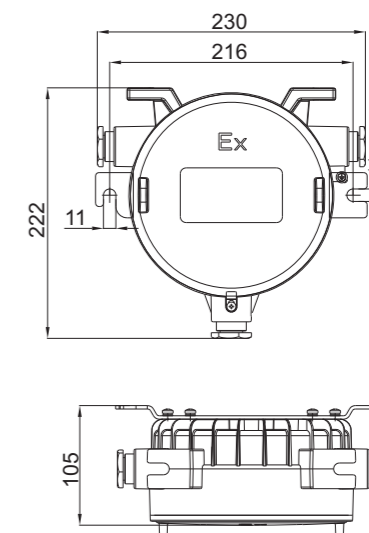
Main Specification

| Item | Technical Parameter |
|-------------------------|-------------------------|
| Input voltage range (V) | 90~264VAC |
| Rated frequency | 50Hz / 60Hz |
| Life time (h) | 6000 |
| Rated capacity | 2.6Ah/14.8V |
| Cable entry | G3/4", NPT3/4", M25×1.5 |
| Dimension (mm) | 238×222×106 |
| Net weight (kg) | 2.9 |

Ordering Reference

| Ordering reference | Rated wattage (W) | Emergency duration (min) |
|--------------------|-------------------|--------------------------|
| BXP01 | 10W | 240min |
| | 20W | 120min |
| | 50W | 45min |

Drawing of Dimension (Dimensions in mm)



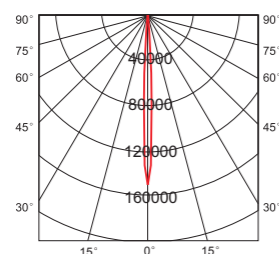


BW3210-2° (Spot) BW3210-60° (Flood)
Ex marking: Ex de IIC T6 Gb

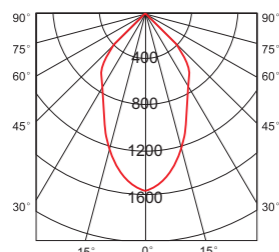


Lifter

Light distribution curve



Spot-2°



Flood-60°

Application

This product is widely used as mobile lighting for all kinds of night work tasks, repairing, inspection and accident relief etc.

Characteristics

- Spot light beam or Flood light beam is available according to the application.
- Safe and reliable: flame proof type of protection. Suitable to be used in various flammable and explosive environment.
- Efficient&Energy-saving: It adopts CREE LED light source, high intensity, and 100,000 hours service life. It has battery level indication function.
- Operator can check the energy left at any time.
- Waterproof & Durability: The housing is made of aluminium alloy, insure the unit enable to stand the strong impact. It is sealed to IP66 preventing the ingress of dust and water. Suitable to be used in all kinds of harsh environment.
- Flexible & Convenient : The lamp head has 360° rotation and 135° tilt.
- The extendable pole with 1.2 to 1.7 meters extendable height.
- The wheels on the bottom make the transportation more easy.
- Intelligent charging : The charger is controlled by the chip . It protect against over-charging, over discharge and short circuit. When battery is fully charged.
- It will switch to trickle charging automatically when battery is fully charged.

Main Specification

| Specification | Unit | BW3210-2° | BW3210-60° |
|---------------------------------|----------|----------------|------------|
| Rated voltage | V | 24 | |
| Rated capacity | Ah | 15 | |
| Rated power | W | 30 | |
| Light output (high/low) | lm | 2300 / 1600 | |
| Average service life | h | 100,000 | |
| Continuous runtime (high / low) | h | 16 / 36 | |
| Recharge time | h | 12 | |
| Effective beam distance | m | 800 | 150 |
| Service life of battery | Recycled | ≈1000 | |
| Dimension | L×W×H | mm 255×250×610 | |
| Net weight | kg | 14 | |



Ex marking: Ex ia IIC T5



Application

It is ideal as a personal indicator to identify the position of workers, it also can serve as signal communication tools in all kinds of hazardous area such as construction, fire fighting, rescue, etc.

Characteristics

- Intrinsically safe type of protection, can be safely used in various flammable and explosive fields (including Zone 0).
- Waterproof & Drop Resistant: Made of PC material, drop resistant to 1 meter.
- Runtime: Powered by two AAA battery. Continuous runtime can exceed 500 hours.
- Flexible&Convenience: Small size, Light weight, easy to operation. It is magnetic, can be attached to the iron surface.
- Ambient Temperature: -60°C-150°C.
- Colour Available: The tracker light is available in the following five different colours according to customers requirements: red, blue, yellow, green, white.

Main Specification

| Specification | Unit | Values |
|---------------------|------|----------|
| Rated voltage | V | 1.5×2 |
| Current | μA | <3 |
| Flashing frequency | Hz | 2.7 |
| Max impulse current | mA | 80 |
| Dimension | mm | 70×47×39 |
| Net weight | kg | 0.1 |



Insurance clip



Magnetic base



Arm mounting

Ex

LED

IP 66



Ex marking: Ex ib IIC T5 Gb



Application

It is widely used as mobile lighting in the power station, oil field, chemical industry, fire fighting, police, military and some other flammable and explosive or high stress environment.

Characteristics

- It adopt CREE LED light source with high luminous efficiency, 100,000 hours service life. Powered by rechargeable lithium battery, no memory effect, low discharge rate and environment friendly.
- Press the button for 2 seconds, the lamp will switch to flood beam mode which runtime can reach 55 hours.
- Equipped with magnetic base on the bottom, available adsorb to all kinds of iron material equipment
- The head of the searchlight is adjustable, within 120° according to the operator requirement.
- Small size and light weight, easy to carry.
- Light mode: High intensity light and low intensity light are switchable.
- Battery status indication and lower battery warning function. Operator can check the battery status at any time.
- The searchlight design has a large size handle and large button switch, easy to operate even with gloved hands.
- It is made of PC material, high strength body, have a good impact resistant performance. The searchlight is sealed to IP66.

Main Specification

| Specification | Unit | values | |
|-------------------------|------------|------------|-----|
| Rated voltage | V | 3.7 | |
| Rated capacity | mAh | 5200 | |
| Light output | lm | 190 | |
| Average service life | h | 100000 | |
| Continuous Runtime | High | h | ≥8 |
| | Low | h | ≥40 |
| | Floodlight | h | ≥55 |
| Recharge time | h | 8~10 | |
| Service life of battery | Times | ≈1000 | |
| Dimension | mm | 193×74×115 | |
| Net weight | kg | 0.35 | |



Magnetic



Head of the lamp tilt:120

Ex

LED

IP 65



Ex marking: Ex ib II C T4 Gb



Application

It is used as safety helmet head light explosive gas, vapor and mist places. It is the ideal lighting solution for workers in power station, oil filed, chemical industry, fire fighting, railway station, military etc.

Characteristics

- It not only can be fixed onto the helmet with the screws provided, but also can be fixed onto the helmet or head by the elastic headband. The head of the light is adjustable within 90° , operator can rotate the head of light to the desired direction.
- The red strobe light design to suit numerous application where indication is critical during emergency. Press the button and switch to the red strobe light mode, It can let others identify the position of the worker.
- This product has battery status indication and low battery warning function, operator can check the battery status at any time. Towards the end of discharge, the beam flashes off repeatedly, warning recharging is required.
- Adopts CREE LED light source with high light efficacy and 100,000 hours service life. Use of the latest safety increased lithium-ion battery technology improves reliability and environment friendly.
- The charger is controlled by intelligent chip, with various protection.

Main Specification

| Specification | Unit | BW6310A | BW6310B |
|-------------------------|-------|----------|----------|
| Rated voltage | V | 3.7 | 3.7 |
| Rated sapacity | Ah | 1.4 | 1.4 |
| Light output | High | lm | 148 |
| | Low | lm | 83 |
| lux in 1 m | High | Lux | ≥1750 |
| | Low | Lux | ≥950 |
| Average service life | h | 100,000 | 100,000 |
| Continuous runtime | High | h | 4 |
| | Low | h | 8 |
| Effective range | m | 130 | 100 |
| Recharge time | h | 4 | 4 |
| Service life of battery | Times | ≈1000 | ≈1000 |
| Dimension | mm | 50×65×60 | 50×65×60 |
| Net weight | g | 85 | 85 |



Head mounting



Helmet mounting



Head mounting



Charger



Ex marking: Ex de IIC T6 Gb



Magnetic base



LED light source(CREE)



Charger

Application

This product is ideal for use in patrol, inspection, repairing and other night work tasks in explosive and flammable atmosphere.

Characteristics

- Flame proof type of protection, approved for safe use in Potentially explosive gas, vapor and mist atmospheres. The head of the searchlight can give 135°vertical tilt so that operator can adjust the light to the desired location.
- Small size, light weight, easy to carry. It is portable, beside the magnetic base on the bottom, making the lamp can adsorb to all kinds of iron material equipment.
- The housing is made of imported PC material, drop resistant to 1 meter.
- It is sealed to IP66, suitable to be used in all kinds of high stress environment.
- Adopts CREE LED light source with high light efficacy and 100,000 hours service life. Use of the latest safety increased lithium-ion battery technology improves reliability and environment friendly.
- This product has battery status indication and low battery warning function, operator can check the battery status at any time.
- Towards the end of discharge, the beam flashes off repeatedly, warning recharging is required.
- The charger is controlled by intelligent chip, with various protection function.

Main Specification

| Specification | Unit | values |
|-------------------------------|-------|-------------|
| Rated voltage | V | 11.1 |
| Rated power | W | 3×3W |
| Rated capacity | mAh | 5200 |
| Light output (high/low) | lm | 810 / 465 |
| Effective range | m | 600 |
| Continuous runtime (high/low) | h | 8 / 15 |
| Recharge time | h | 6 |
| Average service life | h | 100000 |
| Service life of battery | times | ≈1000 |
| Dimension | mm | 151×131×272 |
| Net weight | kg | 1.5 |



Ex marking: Ex d ib IIC T6 Gb
Ex tD A21 IP68 T80°C

Application

It is an efficient lighting tools to be used at the military, petrochemistry , oil field, customs inspection, police, patrol, rescue relief, railway, fire fighting and any other night work tasks.



Characteristics

- Certified by National authority. Flame proof type of protection, designed according to explosion proof standard for safe use potentially explosive atmosphere.
- 3X3W CREE LED light source, 100,000 hrs service life. It uses CREE LED light source, with 100,000hours service life. The reflector adopts hi-tech surface finishing technology, make sure a high light reflectivity and no light shadow.
- Its effective beam range is about 1,500meters.
- Use of the latest high capacity lithium-iron battery with long service life improves reliability and eliminates ' memory ' affect. The strobe light can use as signal communication and personal indicator to identify the position of the workers.
- The body of the searchlight has treated with anodic oxidation technology.
- The flashlight is portable, also carried by the shoulder strap.
- The high strength aluminium alloy body can stand harsh impact. It is well sealed to IP67.
- It has battery status indication function, Operator can check the battery status at any time. The recharging is controlled by chip with quick recharging, over charged protection, short circuit protection and battery recharge level indication etc.

Main Specification

| Specification | Unit | values | |
|-------------------------|-----------|--------|------|
| Rated voltage | V | 22.2 | |
| Rated capacity | mAh | 2600 | |
| Rated power | W | 9 | |
| Light output | High | 1m | 975 |
| | Low | | 465 |
| Average service life | h | 100000 | |
| Continuous runtime | High | h | ≥11 |
| | Low | | ≥16 |
| | Frequency | | 20 |
| Recharge time | h | ≥8 | |
| Service life of battery | Times | ≈1000 | |
| Dimension | Length | mm | 140 |
| | Diameter | | φ 67 |
| Net weight | g | 900 | |

Ex

LED

**IP
67**



Ex marking: Ex d IIC T6 Gb



Angle adjustable buckle



LED light source(CREE)



Tail switch



Package



Charger

Application

It is applicable to mobile lighting in Zone 1 and Zone 2 explosive and flammable places.

This product is used in the fields of electric power, fire fighting, petrol, petrochemical, metallurgy, etc. It can also be used for signal communication and personal indicator to identify the position of the workers.

Characteristics

- It adopts CREE LED light source. BW7300A's effective beam range is 130meters. Its flashing beam can reach 6,000meters.
- It is sealed to Ip67, water proof to 1 meter. Powered by lithium battery which provide a long service life and low discharge performance. Light mode: high, low, strobe light.
- This product has battery status indication and low battery warning function,
- Operator can check the battery status at any time. Towards the end of discharge, the beam flashes off repeatedly, warning recharging is required.
- The flashlight can also fixed onto the helmet by the buckle. Its light beam angle is adjustable.
- The flashlight is supplied with a short strap. And it is designed for easy storage in pocket.
- The recharging and discharging is controlled by the chip with multiple protection.

Main Specification

| Specification | Unit | BW7300A | BW7300B |
|-------------------------------|------|-----------|----------|
| Rated voltage | V | 3.7 | 3.7 |
| Rated power | W | 3 | 1 |
| Rated capacity | mAh | 2200 | 2200 |
| Light output (high/low) | lm | 290 / 105 | 170 / 75 |
| Effective range | m | 200 | 120 |
| Continuous runtime (high/low) | h | 4 / 10 | 8 / 18 |
| Recharge time | h | 6 | 6 |
| Average service life | h | 100000 | 100000 |
| Dimension | mm | φ28×130 | φ28×130 |
| Net weight | g | 125 | 125 |

Ex

LED

**IP
67**



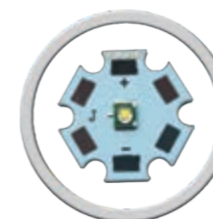
Ex marking: Ex d IIC T6 Gb



Charging position



Portable



LED light source(CREE)



Charger

Application

It is ideal for the night work tasks in explosive area such as fire fighting, gas station, power station, chemical industrial, police, inspection and some other high stress environment.

Characteristics

- It adopts CREE LED light source with high efficiency. BW7500A's effect beam range can reach 700meters. High intensity light and low intensity light are switchable.
- This product has battery status indication and low battery warning function,
- Operator can check the battery status at any time. Towards the end of discharge, the beam flashes off repeatedly, warning recharging is required.
- It is sealed to IP67, water proof to 1 meter. Powered by lithium battery which provide a long service life and low discharge performance.
- The flashlight surface adopts anti skidding treatment. Easy to carry.
- The charging, discharging, constant current controlled by the chip with multiple protection.

Main Specification

| Specification | Unit | BW7500A | BW7500B | BW7500C |
|--------------------------|-------|---------|---------|---------|
| Rated voltage | V | 3.7 | 3.7 | 3.7 |
| Rated power | W | 5 | 3 | 1 |
| Rated capacity | mAh | 5200 | 5200 | 5200 |
| Light output (high) | lm | 430 | 285 | 150 |
| Light output (low) | lm | 180 | 150 | 100 |
| Effective range | m | 700 | 200 | 120 |
| Continuous runtime(high) | h | 4 | 6 | 12 |
| Continuous runtime(low) | h | 10 | 10 | 20 |
| Recharge time | h | 8 | 8 | 8 |
| Average service life | h | 100,000 | 100,000 | 100,000 |
| Service life of battery | Times | ≈1000 | ≈1000 | ≈1000 |
| Dimension | mm | φ40×210 | φ40×210 | φ40×210 |
| Net weight | g | 300 | 300 | 300 |

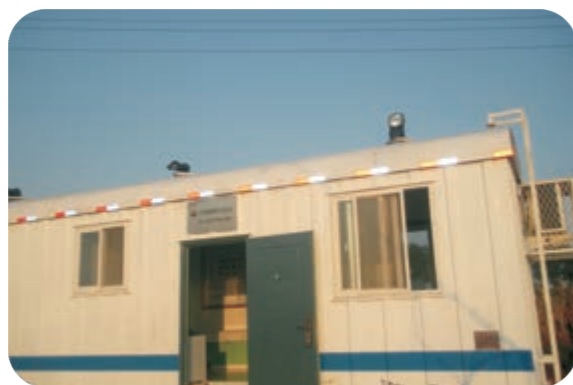
HID

**IP
65**



Application

It is ideal to be used in the wild, road or on the sea for searching, patrol, rescue etc.



Adaptor



Controller

Characteristics

- ZW3320A and ZW3320B use HID super-white light source, which has high light efficacy and low power consumption. It saves 25% energy than the normal light source.
- The average service life is above 12,000hours. Reduce the maintenance cost.
- Imported high-purity aluminum reflector that adopts professional light distribution design promote the reflection efficiency, and extend the lighting distance.
- Wireless remote control mode. The lamp can be operated within 30meters by the remote control.
- The searchlight gives a full 360° horizontal rotation, 180° vertical tilt.
- A magnet base is attached to the bottom of the lamp. That enable the lamp can fitted on the top of the vehicle. It can meet needs of car driving speed at 80KM/h.
- Its lightweight and small size make the light easy to handle and save lots of space. When press the reset button on the remote controller, the lamp will fold automatically.
- 220V power converter or 12V/24V reserved battery are optional as input power supply according to the customers' requirement.

Main Specification

| Specification | Unit | ZW3320A | ZW3320B |
|--------------------------|--------|-------------|-----------|
| Rated voltage | V | DC(9~28V) | DC(9~28V) |
| Rated power | W | 35W | 45W |
| Light output (high/low) | lm | 3200 | 4100 |
| Effective range | m | 1200 | 1400 |
| Service life of bulb | h | 12000 | 12000 |
| Remote charge distance | m | ≥30 | |
| Horizontal turning angle | Degree | 0~360 | |
| Vertical turning angle | | 0~180 | |
| Dimension | mm | 370×315×187 | |
| Net weight | kg | 4.6 | 4.6 |

LED

**IP
65**



Controller

25°

60°x80°

Application

This product is suitable for a variety of large-scale construction work, maintenance repair, incident handling and disaster relief work site, high brightness lighting needs

Characteristics

- 2* 240W of LED lamp light efficiency up to 120lm/W, can replace two 400W metal halide lamp, energy consumption reduced by 60%.
- Imported LED light source, seismic performance under vibration environment, life is 10 times more than traditional metal halide lamp.
- Wireless remote control + manual control: can remote control lifting poles and lamps with 30m, the switch on the generator also can be used to achieve the same functionality
- Full-cycle thermal design, suitable for hot and humid environment; the up and down ventilation fin structure, can avoid dust.
- Using the same grade or brand Meanwell AC and DC wide voltage constant power supply, power factor up to 0.98.
- Lighting angle locking device is provided to ensure vibration environments irradiation direction is not displaced.
- The bottom of the generator set is equipped with casters, can turn 360°.

Main Specification

| Item | Technical Parameters | | |
|------------|--|------------------|------|
| | ZW3500D-18°/25° | ZW3500D-60 × 80° | |
| Type | Generator fullfill continuous working time | | |
| | 13h | | |
| Lifter | Minimum height | | |
| | 1.75m | | |
| Generators | The maximum rise height | | |
| | 4.5m | | |
| Size | Rated output power / fuel rated capacity | | |
| | 2000W / 15L | | |
| Weight | length ×width×height | | |
| | 1500 ×500×800mm | | |
| | Lamp+lamp panel | 15Kg | 14Kg |
| | Lifter | 9Kg | |
| | Generator set | 45Kg | |

Ordering Reference

| Order number | Rated voltage (V) | Rated Wattage (W) | Light output (lm) | Light average life (h) | Light distribution curve (1000cd/lm) | Equivalent to Metal Halide |
|------------------------|-------------------|-------------------|-------------------|------------------------|--------------------------------------|----------------------------|
| ZW3500D-L150×2-60°×80° | 220VAC | 150×2 | 17300×2 | 50000 | | 400W × 2 |
| ZW3500D-L240×2-60°×80° | | 240×2 | 26700×2 | | | 400W × 4 |
| ZW3500D-L150×2-18° | | 150×2 | 14600×2 | 50000 | | 400W × 2 |
| ZW3500D-L240×2-25° | | 240×2 | 20300×2 | 50000 | | 400W × 4 |



LED

IP 65



Application

This product is suitable for a variety of large-scale construction work, maintenance repair, incident handling and disaster relief work site, high brightness lighting needs.

Characteristics

- 4* 240WLED lamp light efficiency up to 120lm / W, can replace 4-6 pieces 400W Metal Halide Light, reduce energy consumption by 60%.2000W generator can replace the traditional 5000W generator , reduce costs.
- Use imported LED light source, seismic performance, under vibration environment, lifetime is 10 times more than traditional metal halide lamp.
- Wireless remote control + manual control: can remote control lifting poles and lamps with 30m,the switch on the generator also can be used to achieve the same functionality
- Full-cycle thermal design, suitable for hot and humid environment; the up and down ventilation fin structure, can avoid dust
- Using the same grade or brand Meanwell AC and DC wide voltage constant power supply, power factor up to 0.98
- Lighting angle locking device is provided to ensure vibration environments irradiation direction is not displaced
- The bottom of the generator set is equipped with casters, can 360° rotation in any direction

Main Specification

| Item | Technical Parameters |
|---|--|
| Type | ZW3500E-60×80° |
| Generator fulfill continuous working time | |
| | 13h |
| Lifter | Minimum height |
| | 1.75m |
| Generators | The maximum rise height |
| | 4.5m |
| Size | Rated output power / fuel rated capacity |
| | 2000W / 15L |
| Weight | length × width × height |
| | 1500 × 500×800mm |
| | Lamp+lamp panel |
| | 18Kg |
| | Lifter |
| | 9Kg |
| | Generator set |
| | 45Kg |

Ordering Reference

| Order number | Rated voltage (V) | Rated wattage (W) | Light output (lm) | Light average life (h) | Light distribution curve (1000cd/lm) | Equivalent to Metal Halide |
|------------------------|-------------------|-------------------|-------------------|------------------------|--------------------------------------|----------------------------|
| ZW3500E-L150×4-60°×80° | 220VAC | 150×4 | 17300×4 | 50000 | | 400W×4 |
| ZW3500E-L240×4-60°×80° | | 240×4 | 26700×4 | | | 400W × 8 |

LED

IP 65



Controller

Application

This product is suitable for a variety of large-scale construction work, maintenance repair, incident handling and disaster relief work site, high brightness lighting needs.

Characteristics

- 4*100W LED lamp luminous efficiency up to 120lm / W, can replace 4*1000W halogen lamp, energy consumption can be reduced 90%
- 2000W generator can replace the traditional 5000W generator , reduce costs. Use imported LED light source, seismic performance, under vibration environment, lifetime is 10 times more than traditional metal halide lamp.
- Wireless remote control + manual control: can remote control lifting poles and lamps with 30m,the switch on the generator also can be used to achieve the same functionality
- Full-cycle thermal design, suitable for hot and humid environment; the up and down ventilation fin structure, can avoid dust
- Using the same grade or brand Meanwell AC and DC wide voltage constant power supply, power factor up to 0.98
- Lighting angle locking device is provided to ensure vibration environments irradiation direction is not displaced
- The bottom of the generator set is equipped with casters, can 360 ° rotation in any direction.

Main Specification

| Item | Technical Parameters | |
|---|--|--------------------|
| Type | ZW3500 | |
| Generator fulfill continuous working time | 13h | |
| Lifter | Minimum height | 1.75m |
| | The maximum rise height | 4.5m |
| Generators | Rated output power / fuel rated capacity | 2000W/15L |
| Size | length × width × height | 1500 × 500 × 800mm |
| Weight | Lamp+lamp panel | 19Kg |
| | Lifter | 9Kg |
| | Generator set | 45Kg |

Ordering Reference

| Order number | Rated voltage (V) | Rated wattage (W) | Light output (lm) | Light average life (h) | Light distribution curve (1000cd/lm) | Equivalent to HID |
|-----------------------|-------------------|-------------------|-------------------|------------------------|--------------------------------------|-------------------|
| ZW3500-L60×4-60°×80° | 220VAC | 60×4 | 6500×4 | 100000 | | 4×500W |
| ZW3500-L100×4-60°×80° | | 100×4 | 9000×4 | | | 4×1000W |

LED

IP 65



Application

This product is suitable for use as large area illumination solution at the working sites of constructions, maintenance, repair, accident spot, and disaster relief etc.



Characteristics

- 2*100W LED lamp luminous efficiency up to 120 lm / W, can replace 2*250W metal halide lamp, reduce energy consumption by 60%.
- Imported LED light source, seismic performance under vibration environment, life is 10 times more than traditional metal halide lamp
- 3 section adjustable telescopic gas bar, can be any lift in the 1.45m-2.8m range
- Lamps can be quickly assembled and disassembled by hand, full-cycle thermal design, long-term operating environment for high temperature and high humidity; up and down Ventilation fin structure avoid dust
- Lighting angle locking device is provided to ensure vibration environments irradiation direction is not displaced.

Main Specification

| Item | Technical Parameters | |
|---|--|------------------|
| Type | ZW3520C | |
| Lamp | Rated voltage | 220VAC |
| | Lamp average life | 100,000h |
| Generator fulfill continuous working time | >6h | |
| Lifter | Minimum height | 1.45m |
| | The maximum rise height | 2.8m |
| Generators | Rated capacity | 12V/8.3A |
| | Rated output power / fuel rated capacity | 900W/3.8L |
| Size | length × width × height | 720 × 475 × 1600 |
| Weight | | 47.5Kg |

Ordering Reference

| Order number | Rated wattage (W) | Light output (lm) | Light distribution curve (1000cd/lm) | Equivalent to Metal Halide |
|------------------------|-------------------|-------------------|--------------------------------------|----------------------------|
| ZW3520C-L60×2-18° | 60×2 | 5600×2 | | 150W×2 |
| ZW3520C-L100×2-18° | 100×2 | 7800×2 | | 250W×2 |
| ZW3520C-L60×2-60°×80° | 60×2 | 6500×2 | | 150W×2 |
| ZW3520C-L100×2-60°×80° | 100×2 | 9000×2 | | 250W×2 |

LED

IP 66



Application

This product is suitable for a variety of large-scale construction work, maintenance repair, incident handling and disaster relief work site, high brightness lighting needs

Characteristics

- Imported LED light source, seismic performance under vibration environment, lifetime is 10 times more than traditional metal halide lamps 3 section adjustable telescopic gas bar, can be any lift in the 1.2m-2.8m range
- Lamps can be quickly assembled and disassembled by hand.
- Full-cycle thermal design, suitable for hot and humid environment; the up and down ventilation fin structure, can avoid dust
- Lighting angle locking device is provided to ensure vibration environments irradiation direction is not displaced

Main Specification

| Item | | Technical Parameters |
|--------|-------------------------|----------------------|
| Type | | ZW3530 |
| Lamp | Rated voltage | 220VAC |
| | Rated frequency | 50Hz/60Hz |
| | Lamp average life | 100,000h |
| Lifter | Minimum height | 1.2m |
| | The maximum rise height | 2.8m |
| Size | length × width × height | 242 × 200 × 320mm |
| Weight | Lamp+lamp panel | 6.5Kg / 7Kg |
| | Lifter | 2kg |

Ordering Reference

| Order number | Rated wattage (W) | Light output (lm) | Light distribution curve (1000cd/lm) | Equivalent to |
|----------------------|-------------------|-------------------|--------------------------------------|---------------|
| | | | | Metal Halide |
| ZW3530-L40×2-18° | 40×2 | 3500×2 | | 100W×2 |
| ZW3530-L40×2-60°×80° | 40×2 | 4100×2 | | 100W×2 |

LED

IP 66



Application

This product is suitable for inspection, repairing, rescue, and some other night work tasks.

Characteristics

- This unit have hand recharge function which meet the customer's quick recharge requirement. It can also charge your mobile phone. Adopt CREE LED as light source with high luminous efficiency, 100,000 hours service life. Powered by rechargeable lithium battery, no memory effect, low discharge rate and environment friendly.
- Press the button for 2 seconds, the lamp will switch to floodlight mode which runtime can reach 55 hours.
- Equipped with magnetic base on the bottom, available adsorb to all kinds of iron material equipment, making it more convenience for the operator to work.
- The head of the lamp is adjustable, 120° tilt.
- The unit is small size and light weight, easy to carry.
- High light and low light are switchable easily.
- The unit has battery status inspection function and low battery warning function. User can check the battery level at any time. The searchlight design has a large size handle and large button switch, easy to operate even with gloved hands.
- The fluorescent material rubber plug on the bottom of the lamp can serve as a personal indicator and safety warning function.
- It is made of PC material, high strength body and sealed to IP66.

Main Specification

| Specification | Unit | values |
|---------------------------------|--------------------------------|----------------|
| Rated voltage | V | 3.7 |
| Rated capacity | mAh | 5200 |
| lamp | Light output | lm 190 |
| | Service life of bulb | h 100000 |
| Hand cranked generator 100r/min | Charging 1 minutes for working | min 30 |
| Continuous runtime | High | h ≥8 |
| | Work | h ≥40 |
| | Flood | h >55 |
| Recharge time | h | 10 |
| Service life of battery | Times | ≈1000 |
| Net Weight | kg | 0.35 |
| Dimension | mm | 193 × 74 × 115 |



Magnetic



Lamp head rotation



Available to charge mobile battery



Hand recharge



Application

It is used at railway, aviation and other transportation area and some special fields, serving as signal indication, safety warning and normal illumination.

Characteristics

- ZW7600 uses CREE LED light source, with 100,000hours service life. The reflector adopts hi-tech surface finishing technology, make sure a high light reflectivity. The effective beam range can exceed 100 meters. Any two of the red, yellow, green light can be chosen as signal light. Its colored signal light's beam distance can reach 5,000meters.
- Equipped three color light: red, green, yellow. Its colored signal light's beam distance can reach 5,000meters.
- It is sealed to IP65 preventing the ingress of water; The housing is made of PC material, drop resistant to 1 meter. It can withstand high and low temperature suitable to be used in all kinds of harsh environment.
- The rear light on its tail is ideal as a personal indicator to identify the position of the users. It eliminates the danger and ensure the user's safety in the dark.
- Use of the latest large bulk capacity lithium-iron battery with long service life improves reliability and eliminates ' memory ' affect.

Main Specification

| Specification | Unit | values |
|-------------------------|----------|---------|
| Rated voltage | V | 3.7 |
| Rated capacity | mAh | 4400 |
| Light output | lm | 170 |
| Continuous runtime | Lighting | h ≥10 |
| | Sign | h >30 |
| Recharge time | h | <6 |
| Average service life | h | 100,000 |
| Service life of battery | Times | ≈1000 |
| Dimension | Diameter | mm φ66 |
| | Length | mm 172 |
| Net weight | g | 265 |



Three-colour



Tail light



Portable



Charger



Application

It is used at railway, aviation and other transportation area and some special fields, serving as signal indication, safety warning and normal illumination.

Characteristics

- ZW7600A uses ultra bright Φ 5 LED as light source, with 100,000hours service life.
- Equipped three color light: red, green, yellow. Its colored signal light's beam distance can reach 5,000meters.
- It is sealed to IP65 preventing the ingress of water; The housing is made of PC material, drop resistant to 1 meter. It can withstand high and low temperature suitable to be used in all kinds of harsh environment.
- The rear light on its tail is ideal as a personal indicator to identify the position of the users. It eliminates the danger and ensure the user's safety in the dark.
- Use of the latest large bulk capacity lithium-iron battery with long service life improves reliability and eliminates ' memory ' affect.

Main Specification

| Specification | Unit | ZW7600A |
|------------------------------|----------|---------|
| Rated voltage | V | 3.7 |
| Rated capacity | mAh | 4400 |
| Lamp light source brightness | mcd | ≥14,000 |
| Continuous runtime | h | ≥16 |
| Recharge time | h | <6 |
| Average service life | h | 100,000 |
| Service life of battery | Times | ≈1,000 |
| Dimension | Diameter | mm φ66 |
| | Length | mm 172 |
| Net weight | g | 258 |



Three-colour



Red



Yellow



Green



LED source



Tail light



Portable



Charger

LED

IP 65



Characteristics

- It uses CREE LED light source, with 100,000hours service life. The reflector adopts hi-tech surface finishing technology, enable a high light reflectivity. The beam range can exceed 100 meters.
- It is sealed to IP65 preventing the ingress of water; The housing is made of PC material, drop resistant to 1 meter. It can withstand high and low temperature suitable to be used in all kinds of harsh environment.
- The rear light on its tail is ideal as a personal indicator to identify the position of the users. It eliminates the danger and ensure the user's safety in the dark.
- Use of the latest large bulk capacity lithium-iron battery with long service life improves reliability and eliminates ' memory ' affect. Easy to carry..

Application

It is used at railway, aviation and other transportation area and some special fields, serving as normal illumination and emergency lighting.



Main Specification

| Specification | Unit | values |
|-------------------------|-------|----------|
| Rated voltage | V | 3.7 |
| Rated capacity | mAh | 4400 |
| Light output | lm | 170 |
| Effective range | m | 120 |
| Average service life | h | 100,000 |
| Continuous runtime | h | ≥10 |
| Recharge time | h | <6 |
| Service life of battery | Times | ≈ 1000 |
| Dimension | mm | φ 66×172 |
| Net weight | g | 265 |



Tail light



Portable



LED light source(CREE)



Charger

LED

IP 67



Characteristics

- The flashlight has a special attack head design. It is perfect for security defence. It is also anti skidding.
- It uses CREE LED light source ,with long life span. It is high efficiency and environment friendly.
- The flashlight have three modes as high/low/ strobe. The user feel free to transfer between these modes.
- The flashlight is well sealed, water proof to 1 meter. Its high strength aluminium alloy housing makes the flashlight resist to harsh impact.
- Recharging and discharging are controlled by intelligent chip, safe and efficient, with various protection.
- Zw7710 equipped with two chargers, AC220V charger and 12V car charger
- Generally, ZW7710A don't have 12V car charger, We can provide 12V car charger for ZW7710A as customers' requirement.

Application

It is widely used in the public security department, railway, military, police, transportation, civil aviation, inspection and customs preventive officer, etc.



Main Specification

| Specification | Unit | ZW7710 | ZW7710A |
|--------------------------|-------|----------|----------|
| Rated voltage | V | 3.7 | 3.7 |
| Rated wattage | W | 3 | 1 |
| Rated capacity | mAh | 2200 | 2200 |
| Light output(high) | lm | ≥248 | ≥110 |
| Light output(low) | lm | ≥95 | ≥70 |
| Continuous runtime(high) | h | ≥3 | >9 |
| Continuous runtime(low) | h | 10 | 19 |
| Recharge Time | h | 6 | 6 |
| Effective range | m | 200 | 120 |
| Average service life | h | 100,000 | 100,000 |
| Service life of battery | Times | ≈1000 | ≈1000 |
| Dimension | mm | φ 35×150 | φ 35×150 |
| Net weight | g | 190 | 190 |



LED light source(CREE)



Side switch



Recharge hole

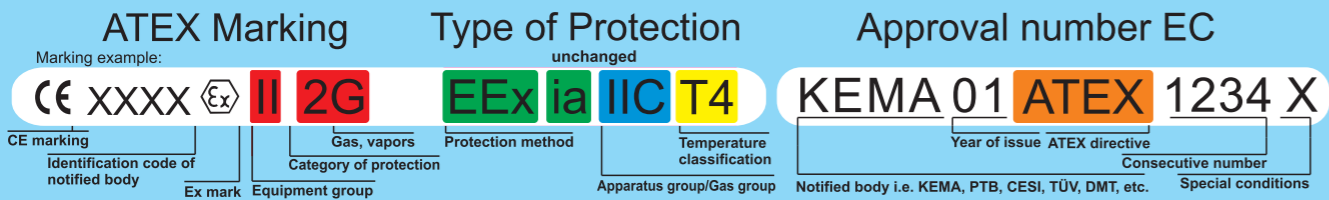


Attacker



Charger

ATEX certified instrumentation from Endress+Hauser



II 2G

Category of Equipment

ATEX directive divides equipment into groups and additional into categories:

| Group I (Mines) | Group II (Surface (non-mining) equipment) |
|--|--|
| Subdivided into categories | Category subdivided into Zone |
| M1 Equipment remains functional with an explosive atmosphere present | 1G (gas) Equipment with a very high level of protection 1D (dust) |
| M2 Equipment to be de-energized in the event of an explosive atmosphere | 2G (gas) Equipment with a high level of protection 2D (dust) 3G (gas) Equipment with a normal level of protection 3D (dust) |

Note: category 2D apparatus required for Zone 22 (conductive dust).

Examples of Category marking:
 1/2G for equipment interfacing Zone 0 and Zone 1 areas
 1/3D for equipment interfacing Zone 20 and Zone 22 areas
 (1) for associated apparatus with intrinsically safe output into Zone 0

ATEX

ATEX Directives

ATmosphereEXplosible

Old directives specify the European standards

New directives specify the so called Essential Health and Safety Requirements

Dust-Ex hazardous areas are regulated first time in EC.

At this moment there are three directives for equipment intended for use in Hazardous Area:

- 82/139/EEC (Mines)** Will be valid until June 30, 2003 Only Electrical Equipment
- 76/117/EEC (Surface Industries)** Will be valid until June 30, 2003 Only Electrical Equipment
- New directive 94/9/EC (ATEX) valid since March 1, 1996 mandatory July 1, 2003** All Equipment, Protective Systems and Components

Summary of changes: Categorisation of equipment matching area classifications. Categorisation based upon Essential Safety Requirements (ESR):

- Consider electrical and non-electrical equipment, also dust-Ex hazardous areas
- Influencing equipment design with respect to Protective method
- Choice of materials
- Equipment marking
- Safety instructions included
- Environmental and atmospheric conditions
- Software included

It will be mandatory to re-certify equipment certified under the old directives if you want to sell this equipment after July 1, 2003.

T4

Temperature Classification

| Maximum Surface Temperature Degree C | Degree F | Temperature Classification | |
|--------------------------------------|----------|----------------------------|------------------------------|
| | | IEC/European | North American ^{*1} |
| 450 | 842 | T1 | T1 |
| 300 | 572 | T2 | T2 |
| 280 | 536 | | T2A |
| 260 | 500 | | T2B |
| 230 | 446 | | T2C |
| 215 | 419 | | T2D |
| 200 | 392 | T3 | T3 |
| 180 | 356 | | T3A |
| 165 | 329 | | T3B |
| 160 | 320 | | T3C |
| 135 | 275 | T4 | T4 |
| 120 | 248 | | T4A |
| 100 | 212 | T5 | T5 |
| 85 | 185 | T6 | T6 |

^{*1} for comparison only

EEx ia

Protection Method

Summary of protection methods against explosion

| General Principles | IEC / European | | American ^{*1} | | Principle Characteristics |
|--|--|-----------------------|------------------------|-----------------------|---|
| | Practice | Zone | Cenelec EN | Practice Division | |
| Explosion-proof Ex »d« | Explosion-proof | 1, 2 | 50018 | Explosion-proof 1, 2 | Relatively easy to be applied, but with specific mechanical requirements. Maintenance and checks are more time consuming. |
| Pressurization Ex »p« | Pressurization | 1, 2 | 50016 | Purging | 1, 2 Suitable for cabinets and motors. Requires specific monitoring alarm systems. |
| Segregation Ex »m« | Encapsulation | 1, 2 | 50028 | Not recognized | Suitable for sensors, small circuits and solenoid valves. Maintenance practically impossible. |
| Oil-immersion Ex »o« | Oil-immersion | 1, 2 | 50015 | Oil-immersion | 1, 2 Suitable for transformers and where there are moving parts. Generally not widely used. |
| Powder filling Ex »q« | Powder filling | 1, 2 | 50017 | Not recognized | Suitable where there are no moving parts. Present maintenance difficulty. Not widely used. |
| Increased safety Ex »e« | Increased safety | 1, 2 | 50019 | Not recognized | Suitable for non-sparking apparatus during normal functioning (terminals, connections, lamp sockets, motors). Particular construction requirements. |
| Prevention Ex »ia« | Intrinsic safety | 0, 1, 2 (20, 21, 22)* | 50020 50039 50284 | Intrinsic safety 1, 2 | Suitable for process instrumentation. Economical and easy installation, maintenance and checks. Limited to low power circuits. |
| | Intrinsic safety Ex »ib« | 1, 2 (21, 22)* | 50020 50039 | Not recognized | Similar to Ex »ia« except for the number of faults to be considered. |
| | Type n Ex »n« | 2 | 50021 | Non incndive 2 | Alternative to standardized types of protection for zone 2 and division 2. No certificate required in Europe. |
| Special requirement for category 1 equipment | | 0 (1, 2)* | 50284 | Not recognized | Additional requirements for equipment protected by standardized types of protection. |
| Dust Ex Protection | Protection by enclosure and temperature limitation | 20, 21, 22 | 50281 | NEC Section 90-4 1, 2 | Special requirements for equipment in dust explosion hazardous areas. |

IIC

Apparatus Group and Gas/Dust Group

| Hazard Categories | Apparatus Classification | | Min. Ignition Energy |
|-------------------|--------------------------|-----------------------------|-----------------------|
| | Europe | North America ^{*1} | |
| Mines | Group I | Group D (gaseous mines) | |
| Acetylene | Group IIC | Class I, Group A | 20 μJ |
| Hydrogen | Group IIC | Class I, Group B | 20 μJ |
| Ethylene | Group IIB | Class I, Group C | 60 μJ |
| Propane | Group IIA | Class I, Group D | 180 μJ |
| Metal dust | - | Class II, Group E | More easily ignitable |
| Coal dust | - | Class II, Group F | |
| Grain dust | - | Class II, Group G | |
| Fibers | - | Class III | |

Certified Instrumentation from Endress+Hauser for North America

Markings for Canada (Marking Examples)

Option A: Zones Option B: Divisions

Ex ia IIC T4 **Class I, Division 1, Groups A,B,C&D T4**

| Means: | Class I: | Flammable gas or vapor |
|--------|--------------------------------------|--|
| Ex | Explosion protected | Flammable gas or vapor |
| ia | Protection method (Intrinsic Safety) | Area classification (explosive atmosphere may exist under normal operating conditions) |
| IIC | Gas group (acetylene & hydrogen) | Gas groups |
| T4 | Temperature class | Temperature code |

Markings for the United States (Marking Examples)

Option A: Zones Option B: Divisions

Class I, Zone 0, AEx ia IIC T4 **IS Class I, Division 1, Groups A,B,C&D T4**

| Means: | Class I: | Flammable gas or vapor |
|---------|---|------------------------|
| Class I | Flammable gas or vapor | IS |
| Zone 0 | Area classification (explosive atmosphere present continuously) | Class I |
| A | Conformity to US requirements | Division 1 |
| Ex | Explosion protected | Group A, B, C&D |
| ia | Protection method (Intrinsic Safety) | T4 |
| IIC | Gas group (acetylene & hydrogen) | |
| T4 | Temperature class | |

Special Purpose Enclosures

| Enclosure Type US (NEMA 250) and Canada (CSA Std. C22.2 No. 94) | Approximate equivalent IP-Code (IEC 60529) | Protection against |
|---|--|---|
| 1 | → IP10 | incidental contact with the enclosed equipment |
| 2 | → IP11 | dripping and light splashing of liquids |
| 3 | → IP54 | windblown dust, rain, sleet, snow and external formation of ice |
| 3R | → IP14 | rain, sleet, snow and external formation of ice |
| 3S | → IP54 | windblown dust, rain, sleet, snow and external mechanism(s) remain operable when ice laden |
| 4 | → IP56 | windblown dust, rain, sleet, snow, splashing water, hose-directed water |
| 4X | → IP56 | windblown dust, rain, sleet, snow, splashing water, hose-directed water and corrosion |
| 5 | → IP52 | settling airborne dust, lint, fibers, flyings, dripping and light splashing of liquids |
| 6 | → IP67 | hose-directed water, entry of water during occasional temporary submersion at limited depth |
| 6P | → IP67 | hose-directed water, entry of water during prolonged submersion at limited depth |

Zone/Division Area Classification

| IEC | Flammable Material Present Continuously (> 1000 h/y) | Flammable Material Present Intermittently (10...1000 h/y) | Flammable Material Present Abnormally (< 10 h/y) |
|---------------------------|--|---|--|
| CENELEC Gas | Zone 0 | Zone 1 | Zone 2 |
| CENELEC Dust | Zone 20 | Zone 21 | Zone 22 |
| NEC & CEC (North America) | Gas, Dust and Fibers Division 1 Zone 0 | Division 1 Zone 1 | Division 2 Zone 2 |

Hazardous Locations Groups

| Typical Hazard | North America CEC Section 18, NEC Article 500 | CENELEC/IEC CENELEC EN50014, IEC 60079 |
|----------------|---|--|
| Acetylene | Class I/Group A or IIC | IIC |
| Hydrogen | Class I/Group B or IIC | IIC |
| Ethylene | Class I/Group C or IIB | IIB |
| Propane | Class I/Group D or IIA | IIA |
| Methane | Group D (gaseous mines) or I | I |
| Metal Dust | Class II/Group E | - |
| Coal Dust | Class II/Group F | - |
| Grain Dust | Class II/Group G | - |
| Fibers | Class III | - |

Ex/AEx

Protection Concepts

| Method of Protection | Code | Permitted Use | Standard US (FM) | Standard Canada (CSA) | Protection Principle |
|---|--------|-----------------|--------------------------|--|--|
| Increased Safety | AEx e | Class I, Zone 1 | FM 3600* (ISA S12.16.01) | | No arcs, sparks or hot surfaces |
| | Ex e | Zone 1 | IEC 60079-7 | CSA Std. E79-7 | |
| Non-incendive | (NI) | Class I, Div 2 | FM 3611 | CSA Std. C22.2 No. 213 and CEC, Part I, App. J | |
| Non-sparking | Ex nA | Zone 2 | IEC 60079-15 | CSA Std. E79-15 | |
| Explosionproof | (XP) | Class I, Div 1 | FM 3615 | CSA Std. C22.2 No. 30 | |
| Flameproof | AEx d | Class I, Zone 1 | FM 3600* (ISA S12.22.01) | | Contain the explosion and quench the flame |
| | Ex d | Zone 1 | IEC 60079-1 | CSA Std. E79-1 | |
| Powder Filled | AEx q | Class I, Zone 1 | FM 3600* (ISA S12.25.01) | | Limit energy of sparks and surface temperature |
| | Ex q | Zone 1 | IEC 60079-5 | CSA Std. E79-5 | |
| Enclosed Break | Ex nC | Zone 2 | IEC 60079-15 | CSA Std. 79-15 | |
| Intrinsic Safety | (IS) | Class I, Div 1 | FM 3610† | CSA Std. C22.2 No. 157 | |
| | AEx ia | Class I, Zone 0 | FM 3610† | | Limit energy of sparks and surface temperature |
| | AEx ib | Class I, Zone 1 | FM 3610† | | |
| | Ex ia | Zone 0 | IEC 60079-11 | CSA Std. C22.2 No. 157/CSA Std. E79-11 | |
| | Ex ib | Zone 1 | IEC 60079-11 | CSA Std. E79-11 | |
| | Ex nA | Zone 2 | IEC 60079-15 | CSA Std. E79-15 | |
| | Ex nL | Zone 2 | IEC 60079-15 | CSA Std. E79-15 | |
| Limited Energy | Type X | Class I, Div 1 | FM 3620 | | Keep flammable gas out |
| | Type Y | Class I, Div 1 | FM 3620 | | |
| | Type Z | Class I, Div 2 | FM 3620 | | |
| Pressurized | Ex p | Zone 1 | | CSA Std. E79-2 | |
| | Ex px | Zone 1 | IEC 60079-2 | | |
| | Ex py | Zone 1 | IEC 60079-2 | | |
| | Ex pz | Zone 2 | IEC 60079-2 | | |
| | Ex nZ | Zone 2 | IEC 60079-15 | CSA Std. E79-15 | |
| Restricted Breathing Encapsulation | Ex nR | Zone 2 | IEC 60079-15 | CSA Std. E79-15 | |
| | AEx m | Class I, Zone 1 | FM 3600* (ISA S12.23.01) | | Limit energy of sparks and surface temperature |
| | Ex m | Zone 1 | IEC 60079-18 | CSA Std. E79-18 | |
| Oil Immersion | AEx o | Class I, Zone 1 | FM 3600* (ISA S12.26.01) | | Limit energy of sparks and surface temperature |
| | Ex o | Zone 1 | IEC 60079-6 | CSA Std. E79-6 | |

*Also shall comply with ISA S12.00.01 †Based on ISA S12.02.01

T4

Temperature Code and Temperature Class

| Maximum Surface Temperature [°C] | North American Temperature Code | CENELEC/IEC Temperature Class |
|----------------------------------|---------------------------------|-------------------------------|
| 450 | T1 | T1 |
| 300 | T2 | T2 |
| 280 | T2A | |
| 260 | T2B | |
| 230 | T2C | |
| 215 | T2D | |
| 200 | T3 | T3 |
| 180 | T3A | |
| 165 | T3B | |
| 160 | T3C | |
| 135 | T4 | T4 |
| 120 | T4A | |
| 100 | T5 | T5 |
| 85 | T6 | T6 |
